

---

# Guidelines for OpenVMS Cluster Configurations

Order Number: AA-Q28LH-TK

**January 2005**

OpenVMS Cluster availability, scalability, and system management benefits are highly dependent on configurations, applications, and operating environments. This guide provides suggestions and guidelines to help you maximize these benefits.

**Revision/Update Information:** This manual supersedes *Guidelines for OpenVMS Cluster Configurations* Version 7.3-2.

**Software Version:** OpenVMS I64 Version 8.2  
OpenVMS Alpha Version 8.2  
OpenVMS VAX Version 7.3

**Hewlett-Packard Company**  
**Palo Alto, California**

---

© Copyright 2005 Hewlett-Packard Development Company, L.P.

Confidential computer software. Valid license from HP required for possession, use or copying. Consistent with FAR 12.211 and 12.212, Commercial Computer Software, Computer Software Documentation, and Technical Data for Commercial Items are licensed to the U.S. Government under vendor's standard commercial license.

The information contained herein is subject to change without notice. The only warranties for HP products and services are set forth in the express warranty statements accompanying such products and services. Nothing herein should be construed as constituting an additional warranty. HP shall not be liable for technical or editorial errors or omissions contained herein.

Intel and Itanium are trademarks or registered trademarks of Intel Corporation or its subsidiaries in the United States and other countries.

Microsoft, MS-DOS, Windows, and Windows NT are US registered trademarks of Microsoft Corporation.

OSF, OSF/1, and Motif are trademarks of The Open Group in the US and other countries.

Printed in the US

ZK6318

The HP OpenVMS documentation set is available on CD-ROM.

This document was prepared using DECdocument, Version 3.3-1b.

---

# Contents

<b>Preface</b> .....	xvii
<b>1 Overview of OpenVMS Cluster System Configuration</b>	
1.1 OpenVMS Cluster Configurations .....	1-1
1.2 Hardware Components .....	1-2
1.3 Software Components .....	1-3
1.3.1 OpenVMS Operating System Components .....	1-3
1.3.2 Networking Components .....	1-5
1.3.3 Storage Enhancement Software .....	1-6
1.3.4 System Management Software .....	1-6
1.3.5 Business Applications .....	1-7
1.4 Configuring an OpenVMS Cluster System .....	1-7
1.4.1 General Configuration Rules .....	1-7
<b>2 Determining Business and Application Requirements</b>	
2.1 Determining Business Requirements .....	2-1
2.1.1 Budget .....	2-1
2.1.2 Availability .....	2-2
2.1.3 Scalability and Future Growth .....	2-2
2.1.4 Physical Location Requirements .....	2-2
2.1.5 Security .....	2-3
2.2 Determining Application Requirements .....	2-3
2.2.1 Adding Memory .....	2-3
2.2.2 Balancing Processor, Memory, and I/O Resources .....	2-4
2.2.3 System Management Tools and Utilities .....	2-4
2.2.4 System Management Tools from OpenVMS Partners .....	2-6
2.2.5 Other Configuration Aids .....	2-7
<b>3 Choosing OpenVMS Cluster Systems</b>	
3.1 Alpha, VAX, and HP Integrity Systems .....	3-1
3.2 Types of Systems .....	3-1
3.3 Choosing Systems .....	3-2
3.4 Scalability Considerations .....	3-3
3.5 Availability Considerations .....	3-3
3.6 Performance Considerations .....	3-4
3.7 System Specifications .....	3-4

## 4 Choosing OpenVMS Cluster Interconnects

4.1	Characteristics . . . . .	4-2
4.2	Comparison of Interconnect Types . . . . .	4-2
4.3	Multiple Interconnects . . . . .	4-3
4.4	Mixed Interconnects . . . . .	4-4
4.5	Interconnects Supported by Alpha, VAX, and HP Integrity Systems . . . . .	4-4
4.6	Fibre Channel Interconnect (Alpha Only) . . . . .	4-5
4.6.1	Advantages . . . . .	4-6
4.6.2	Throughput . . . . .	4-6
4.6.3	Supported Adapter . . . . .	4-6
4.7	MEMORY CHANNEL Interconnect (Alpha Only) . . . . .	4-6
4.7.1	Advantages . . . . .	4-7
4.7.2	Throughput . . . . .	4-7
4.7.3	Supported Adapter . . . . .	4-7
4.8	SCSI Interconnect (Alpha Only) . . . . .	4-8
4.8.1	Advantages . . . . .	4-8
4.8.2	Throughput . . . . .	4-9
4.8.3	SCSI Interconnect Distances . . . . .	4-9
4.8.4	Supported Adapters, Bus Types, and Computers . . . . .	4-10
4.9	CI Interconnect (Alpha and VAX Only) . . . . .	4-10
4.9.1	Advantages . . . . .	4-11
4.9.2	Throughput . . . . .	4-11
4.9.3	Supported Adapters and Bus Types . . . . .	4-11
4.9.4	Multiple CI Adapters . . . . .	4-12
4.9.5	Configuration Guidelines for CI Clusters . . . . .	4-12
4.10	Digital Storage Systems Interconnect (DSSI) (Alpha and VAX Only) . . . . .	4-12
4.10.1	Advantages . . . . .	4-12
4.10.2	Maintenance Consideration . . . . .	4-12
4.10.3	Throughput . . . . .	4-13
4.10.4	DSSI Adapter Types . . . . .	4-13
4.10.5	Supported Adapters and Bus Types . . . . .	4-13
4.10.6	DSSI-Connected Storage . . . . .	4-13
4.10.7	Multiple DSSI Adapters . . . . .	4-13
4.10.8	Configuration Guidelines for DSSI Clusters . . . . .	4-14
4.11	LAN Interconnects . . . . .	4-14
4.11.1	Multiple LAN Adapters . . . . .	4-15
4.11.1.1	Multiple LAN Path Load Distribution . . . . .	4-15
4.11.1.2	Increased LAN Path Availability . . . . .	4-16
4.11.2	Configuration Guidelines for LAN-Based Clusters . . . . .	4-16
4.11.3	Ethernet (10/100) and Gigabit Ethernet Advantages . . . . .	4-16
4.11.4	Ethernet (10/100) and Gigabit Ethernet Throughput . . . . .	4-16
4.11.5	Ethernet Adapters and Buses . . . . .	4-17
4.11.6	Ethernet-to-FDDI Bridges and Switches . . . . .	4-18
4.11.7	Configuration Guidelines for Gigabit Ethernet Clusters (Alpha and I64) . . . . .	4-18
4.11.8	ATM Advantages (Alpha Only) . . . . .	4-19
4.11.9	ATM Throughput . . . . .	4-19
4.11.10	ATM Adapters . . . . .	4-20
4.12	Fiber Distributed Data Interface (FDDI) (Alpha and VAX) . . . . .	4-20
4.12.1	FDDI Advantages . . . . .	4-20
4.12.2	FDDI Node Types . . . . .	4-20
4.12.3	FDDI Distance . . . . .	4-20
4.12.4	FDDI Throughput . . . . .	4-20
4.12.5	FDDI Adapters and Bus Types . . . . .	4-20

4.12.6	Storage Servers for FDDI-Based Clusters . . . . .	4-21
--------	---	------

## 5 Choosing OpenVMS Cluster Storage Subsystems

5.1	Understanding Storage Product Choices . . . . .	5-1
5.1.1	Criteria for Choosing Devices . . . . .	5-2
5.1.2	How Interconnects Affect Storage Choices . . . . .	5-2
5.1.3	How Floor Space Affects Storage Choices . . . . .	5-3
5.2	Determining Storage Capacity Requirements . . . . .	5-3
5.2.1	Estimating Disk Capacity Requirements . . . . .	5-3
5.2.2	Additional Disk Capacity Requirements . . . . .	5-4
5.3	Choosing Disk Performance Optimizers . . . . .	5-4
5.3.1	Performance Optimizers . . . . .	5-4
5.4	Determining Disk Availability Requirements . . . . .	5-6
5.4.1	Availability Requirements . . . . .	5-6
5.4.2	Device and Data Availability Optimizers . . . . .	5-6
5.5	CI-Based Storage . . . . .	5-7
5.5.1	Supported Controllers and Devices . . . . .	5-7
5.6	DSSI Storage . . . . .	5-7
5.6.1	Supported Devices . . . . .	5-7
5.7	SCSI-Based Storage . . . . .	5-8
5.7.1	Supported Devices . . . . .	5-8
5.8	Fibre Channel Based Storage . . . . .	5-8
5.8.1	Storage Devices . . . . .	5-8
5.9	Host-Based Storage . . . . .	5-8
5.9.1	Internal Buses . . . . .	5-8
5.9.2	Local Adapters . . . . .	5-9

## 6 Configuring Multiple Paths to SCSI and Fibre Channel Storage

6.1	Overview of Multipath SCSI Support . . . . .	6-2
6.1.1	Direct SCSI to Direct SCSI Failover . . . . .	6-2
6.1.2	Direct SCSI to MSCP Served Failover (Disks Only) . . . . .	6-4
6.1.3	Configurations Combining Both Types of Multipath Failover . . . . .	6-6
6.2	Configuration Requirements and Restrictions . . . . .	6-6
6.3	HSx Failover Modes . . . . .	6-8
6.3.1	Transparent Failover Mode . . . . .	6-9
6.3.2	Multibus Failover Mode (Disks Only) . . . . .	6-10
6.3.3	Port Addressing for Controllers in Multibus Mode . . . . .	6-12
6.4	Parallel SCSI Multipath Configurations (Disks Only) . . . . .	6-13
6.4.1	Transparent Failover . . . . .	6-13
6.4.2	Multibus Failover and Multiple Paths . . . . .	6-13
6.4.3	Configurations Using Multiported Storage Controllers . . . . .	6-14
6.5	Disk Device Naming for Parallel SCSI Multipath Configurations . . . . .	6-16
6.5.1	Review of Node Allocation Classes . . . . .	6-17
6.5.2	Review of Port Allocation Classes . . . . .	6-17
6.5.3	Device Naming Using HSZ Allocation Classes . . . . .	6-18
6.6	Fibre Channel Multipath Configurations . . . . .	6-20
6.7	Implementing Multipath Configurations . . . . .	6-23
6.7.1	Valid Multipath Configurations . . . . .	6-24
6.7.2	Invalid Multipath Configuration . . . . .	6-25
6.7.3	Multipath System Parameters . . . . .	6-26
6.7.4	Path Identifiers . . . . .	6-27

6.7.5	Displaying Paths . . . . .	6-29
6.7.5.1	Displaying Paths With SHOW DEVICE/FULL . . . . .	6-29
6.7.5.2	Displaying Paths With SHOW DEVICE/MULTIPATH_SET . . . . .	6-30
6.7.6	Path Polling . . . . .	6-31
6.7.7	Switching Current Paths Manually . . . . .	6-32
6.7.8	Path Selection by OpenVMS . . . . .	6-33
6.7.9	How OpenVMS Performs Multipath Failover . . . . .	6-35
6.7.10	Automatic Failback to a Direct Path (Disks Only) . . . . .	6-36
6.7.11	Enabling or Disabling Paths as Path Switch Candidates . . . . .	6-37
6.7.12	Performance Considerations . . . . .	6-38
6.7.13	Console Considerations . . . . .	6-39

## 7 Configuring Fibre Channel as an OpenVMS Cluster Storage Interconnect

7.1	Overview of OpenVMS Fibre Channel Support . . . . .	7-2
7.2	Fibre Channel Configuration Support . . . . .	7-5
7.2.1	Fibre Channel Remedial Kits . . . . .	7-8
7.2.2	Mixed-Version and Mixed-Architecture Cluster Support . . . . .	7-8
7.2.3	Fibre Channel and OpenVMS Galaxy Configurations . . . . .	7-9
7.3	Example Configurations . . . . .	7-9
7.3.1	Single Host with Dual-Ported Storage . . . . .	7-9
7.3.2	Multiple Hosts With One Dual-Ported Storage Controller . . . . .	7-10
7.3.3	Multiple Hosts With Storage Controller Redundancy . . . . .	7-11
7.3.4	Multiple Hosts With Multiple Independent Switches . . . . .	7-12
7.3.5	Multiple Hosts With Dual Fabrics . . . . .	7-13
7.3.6	Multiple Hosts With Larger Fabrics . . . . .	7-14
7.4	Fibre Channel Addresses, WWIDs, and Device Names . . . . .	7-15
7.4.1	Fibre Channel Addresses and WWIDs . . . . .	7-15
7.4.2	OpenVMS Names for Fibre Channel Devices . . . . .	7-17
7.4.2.1	Fibre Channel Storage Adapter Names . . . . .	7-18
7.4.2.2	Fibre Channel Path Names . . . . .	7-18
7.4.2.3	Fibre Channel Disk Device Identification . . . . .	7-19
7.5	Fibre Channel Tape Support . . . . .	7-21
7.5.1	Minimum Hardware Configuration . . . . .	7-21
7.5.2	Overview of Fibre Channel Tape Device Naming . . . . .	7-22
7.5.2.1	Tape and Medium Changer Device Names . . . . .	7-22
7.5.2.2	Use of Worldwide Identifiers (WWIDs) . . . . .	7-23
7.5.2.3	File-Based Device Naming . . . . .	7-24
7.5.3	Management Support for Fibre Channel Tape Devices . . . . .	7-25
7.5.4	Configuring a Fibre Channel Tape Device . . . . .	7-26
7.5.4.1	Basic Configuration Steps: Summary . . . . .	7-26
7.5.4.2	Basic Configuration Steps: Details . . . . .	7-27
7.5.4.3	Creating User-Specified Device Names . . . . .	7-29
7.5.5	Changing the Name of an Existing Fibre Channel Tape Device . . . . .	7-32
7.5.6	Moving a Physical Tape Device on Fibre Channel . . . . .	7-33
7.5.7	Swapping Out an NSR on Fibre Channel . . . . .	7-33
7.5.8	Serving a Fibre Channel Tape Device . . . . .	7-33
7.5.9	Replacing a Fibre Channel Tape Device . . . . .	7-34
7.5.10	Determining the Physical Location of a Fibre Channel Tape Device . . . . .	7-34
7.5.11	Accessing a Fibre Channel Tape Device in a Standalone Environment . . . . .	7-35
7.5.12	Using an NSR or MDR With Dual FC Ports Prior to Version 7.3-1 . . . . .	7-35

7.5.13	Multipath Tape Support . . . . .	7-36
7.6	Using the AlphaServer Console for Configuring FC (Alpha Only) . . . . .	7-36
7.6.1	Viewing the FC Configuration from the Console . . . . .	7-36
7.6.2	Setting Up FC Disks for Booting and Dumping . . . . .	7-39
7.7	Booting on a Fibre Channel Storage Device on OpenVMS I64 Systems . . . . .	7-42
7.7.1	Installing the Bootable Firmware . . . . .	7-42
7.7.2	Checking the Firmware Version . . . . .	7-44
7.7.3	Configuring the Boot Device Paths on the FC . . . . .	7-44
7.8	Setting Up a Storage Controller for Use with OpenVMS . . . . .	7-45
7.8.1	Setting Up the Device Identifier for the CCL . . . . .	7-46
7.8.2	Setting Up the Device Identifier for Disk Devices . . . . .	7-46
7.9	Creating a Cluster with a Shared FC System Disk . . . . .	7-47
7.9.1	Configuring Additional Cluster Nodes to Boot with a Shared FC Disk (I64 Only) . . . . .	7-51
7.9.2	Online Reconfiguration . . . . .	7-52
7.9.3	HSG Host Connection Table and Devices Not Configured . . . . .	7-52
7.10	Using Interrupt Coalescing for I/O Performance Gains (Alpha Only) . . . . .	7-53
7.11	Using Fast Path in Your Configuration . . . . .	7-54
7.12	FIBRE_SCAN Utility for Displaying Device Information . . . . .	7-54

## 8 Configuring OpenVMS Clusters for Availability

8.1	Availability Requirements . . . . .	8-1
8.2	How OpenVMS Clusters Provide Availability . . . . .	8-1
8.2.1	Shared Access to Storage . . . . .	8-2
8.2.2	Component Redundancy . . . . .	8-2
8.2.3	Failover Mechanisms . . . . .	8-2
8.2.4	Related Software Products . . . . .	8-3
8.3	Strategies for Configuring Highly Available OpenVMS Clusters . . . . .	8-4
8.3.1	Availability Strategies . . . . .	8-4
8.4	Strategies for Maintaining Highly Available OpenVMS Clusters . . . . .	8-5
8.4.1	Strategies for Maintaining Availability . . . . .	8-5
8.5	Availability in a LAN OpenVMS Cluster . . . . .	8-6
8.5.1	Components . . . . .	8-8
8.5.2	Advantages . . . . .	8-8
8.5.3	Disadvantages . . . . .	8-8
8.5.4	Key Availability Strategies . . . . .	8-9
8.6	Configuring Multiple LANs . . . . .	8-9
8.6.1	Selecting MOP Servers . . . . .	8-9
8.6.2	Configuring Two LAN Segments . . . . .	8-10
8.6.3	Configuring Three LAN Segments . . . . .	8-11
8.7	Availability in a DSSI OpenVMS Cluster . . . . .	8-12
8.7.1	Components . . . . .	8-14
8.7.2	Advantages . . . . .	8-14
8.7.3	Disadvantages . . . . .	8-14
8.7.4	Key Availability Strategies . . . . .	8-15
8.8	Availability in a CI OpenVMS Cluster . . . . .	8-15
8.8.1	Components . . . . .	8-16
8.8.2	Advantages . . . . .	8-17
8.8.3	Disadvantages . . . . .	8-17
8.8.4	Key Availability Strategies . . . . .	8-17
8.9	Availability in a MEMORY CHANNEL OpenVMS Cluster . . . . .	8-18
8.9.1	Components . . . . .	8-18
8.9.2	Advantages . . . . .	8-19

8.9.3	Disadvantages . . . . .	8-19
8.9.4	Key Availability Strategies . . . . .	8-19
8.10	Availability in an OpenVMS Cluster with Satellites . . . . .	8-20
8.10.1	Components . . . . .	8-22
8.10.2	Advantages . . . . .	8-22
8.10.3	Disadvantages . . . . .	8-22
8.10.4	Key Availability Strategies . . . . .	8-22
8.11	Multiple-Site OpenVMS Cluster System . . . . .	8-23
8.11.1	Components . . . . .	8-23
8.11.2	Advantages . . . . .	8-24
8.12	Disaster-Tolerant OpenVMS Cluster Configurations . . . . .	8-24

## 9 Configuring CI OpenVMS Clusters for Availability and Performance

9.1	CI Components . . . . .	9-1
9.2	Configuration Assumptions . . . . .	9-2
9.3	Configuration 1 . . . . .	9-2
9.3.1	Components . . . . .	9-3
9.3.2	Advantages . . . . .	9-3
9.3.3	Disadvantages . . . . .	9-4
9.3.4	Key Availability and Performance Strategies . . . . .	9-4
9.4	Configuration 2 . . . . .	9-4
9.4.1	Components . . . . .	9-5
9.4.2	Advantages . . . . .	9-6
9.4.3	Disadvantages . . . . .	9-7
9.4.4	Key Availability and Performance Strategies . . . . .	9-7
9.5	Configuration 3 . . . . .	9-7
9.5.1	Components . . . . .	9-9
9.5.2	Advantages . . . . .	9-10
9.5.3	Disadvantages . . . . .	9-10
9.5.4	Key Availability and Performance Strategies . . . . .	9-10
9.6	Configuration 4 . . . . .	9-10
9.6.1	Components . . . . .	9-12
9.6.2	Advantages . . . . .	9-13
9.6.3	Disadvantages . . . . .	9-13
9.6.4	Key Availability and Performance Strategies . . . . .	9-13
9.7	Summary . . . . .	9-13

## 10 Configuring OpenVMS Clusters for Scalability

10.1	What Is Scalability? . . . . .	10-1
10.1.1	Scalable Dimensions . . . . .	10-1
10.2	Strategies for Configuring a Highly Scalable OpenVMS Cluster . . . . .	10-3
10.2.1	Scalability Strategies . . . . .	10-3
10.3	Scalability in CI OpenVMS Clusters (Alpha and VAX) . . . . .	10-4
10.3.1	Two-Node CI OpenVMS Cluster . . . . .	10-4
10.3.2	Three-Node CI OpenVMS Cluster . . . . .	10-5
10.3.3	Seven-Node CI OpenVMS Cluster . . . . .	10-7
10.3.4	Guidelines for CI OpenVMS Clusters . . . . .	10-8
10.3.5	Guidelines for Volume Shadowing in CI OpenVMS Clusters . . . . .	10-8
10.4	Scalability in DSSI OpenVMS Clusters (Alpha and VAX) . . . . .	10-11
10.4.1	Two-Node DSSI OpenVMS Cluster . . . . .	10-11
10.4.2	Four-Node DSSI OpenVMS Cluster with Shared Access . . . . .	10-12
10.4.3	Four-Node DSSI OpenVMS Cluster with Some Nonshared Access . . . . .	10-13



10.5	Scalability in MEMORY CHANNEL OpenVMS Clusters (Alpha Only) . . .	10-15
10.5.1	Two-Node MEMORY CHANNEL Cluster . . . . .	10-15
10.5.2	Three-Node MEMORY CHANNEL Cluster . . . . .	10-16
10.5.3	Four-Node MEMORY CHANNEL OpenVMS Cluster . . . . .	10-17
10.6	Scalability in SCSI OpenVMS Clusters (Alpha Only) . . . . .	10-18
10.6.1	Two-Node Fast-Wide SCSI Cluster . . . . .	10-18
10.6.2	Two-Node Fast-Wide SCSI Cluster with HSZ Storage . . . . .	10-19
10.6.3	Three-Node Fast-Wide SCSI Cluster . . . . .	10-20
10.6.4	Four-Node Ultra SCSI Hub Configuration . . . . .	10-22
10.7	Scalability in OpenVMS Clusters with Satellites (Alpha, VAX, and I64) . . . . .	10-23
10.7.1	Six-Satellite OpenVMS Cluster . . . . .	10-23
10.7.2	Six-Satellite OpenVMS Cluster with Two Boot Nodes . . . . .	10-24
10.7.3	Twelve-Satellite LAN OpenVMS Cluster with Two LAN Segments . . . . .	10-25
10.7.4	Forty-Five Satellite OpenVMS Cluster with FDDI Ring . . . . .	10-26
10.7.5	High-Powered Workstation OpenVMS Cluster (1995 Technology) . . . . .	10-27
10.7.6	High-Powered Workstation OpenVMS Cluster (2004 Technology) . . . . .	10-29
10.7.7	Guidelines for OpenVMS Clusters with Satellites . . . . .	10-30
10.7.8	Extended LAN Configuration Guidelines . . . . .	10-30
10.7.9	System Parameters for OpenVMS Clusters . . . . .	10-32
10.8	Scaling for I/Os . . . . .	10-33
10.8.1	MSCP Served Access to Storage . . . . .	10-33
10.8.2	Disk Technologies . . . . .	10-34
10.8.3	Read/Write Ratio . . . . .	10-35
10.8.4	I/O Size . . . . .	10-35
10.8.5	Caches . . . . .	10-35
10.8.6	Managing “Hot” Files . . . . .	10-36
10.8.7	Volume Shadowing . . . . .	10-36

## 11 OpenVMS Cluster System Management Strategies

11.1	Simple and Complex Configurations . . . . .	11-1
11.2	System Disk Strategies . . . . .	11-2
11.2.1	Single System Disk . . . . .	11-2
11.2.2	Multiple System Disks . . . . .	11-4
11.2.3	Multiple System-Disk OpenVMS Cluster . . . . .	11-5
11.2.4	Dividing an OpenVMS Cluster System . . . . .	11-6
11.2.5	Summary: Single Versus Multiple System Disks . . . . .	11-7
11.3	OpenVMS Cluster Environment Strategies . . . . .	11-8
11.3.1	Common Environment . . . . .	11-8
11.3.2	Putting Environment Files on a Separate, Common Disk . . . . .	11-9
11.3.3	Multiple Environments . . . . .	11-9
11.4	Additional Multiple-Environment Strategies . . . . .	11-10
11.4.1	Using Multiple SYSUAF.DAT Files . . . . .	11-10
11.4.2	Using Multiple Queue Managers . . . . .	11-11
11.5	Quorum Strategies . . . . .	11-11
11.5.1	Quorum Strategy Options . . . . .	11-11
11.6	State Transition Strategies . . . . .	11-12
11.6.1	Dealing with State Transitions . . . . .	11-12
11.7	Migration and Warranted Support for Multiple Versions . . . . .	11-13
11.8	Alpha, VAX, and I64 Systems in the Same OpenVMS Cluster . . . . .	11-14
11.8.1	OpenVMS Cluster Satellite Booting Across Architectures . . . . .	11-14
11.8.2	Restrictions . . . . .	11-14

## A SCSI as an OpenVMS Cluster Interconnect

A.1	Conventions Used in This Appendix	A-1
A.1.1	SCSI ANSI Standard	A-1
A.1.2	Symbols Used in Figures	A-2
A.2	Accessing SCSI Storage	A-2
A.2.1	Single-Host SCSI Access in OpenVMS Cluster Systems	A-2
A.2.2	Multihost SCSI Access in OpenVMS Cluster Systems	A-2
A.3	Configuration Requirements and Hardware Support	A-3
A.3.1	Configuration Requirements	A-3
A.3.2	Hardware Support	A-5
A.4	SCSI Interconnect Concepts	A-6
A.4.1	Number of Devices	A-6
A.4.2	Performance	A-7
A.4.3	Distance	A-8
A.4.4	Cabling and Termination	A-9
A.5	SCSI OpenVMS Cluster Hardware Configurations	A-9
A.5.1	Systems Using Add-On SCSI Adapters	A-10
A.5.1.1	Building a Basic System Using Add-On SCSI Adapters	A-10
A.5.1.2	Building a System with More Enclosures or Greater Separation or with HSZ Controllers	A-12
A.5.1.3	Building a System That Uses Differential Host Adapters	A-16
A.6	Installation	A-19
A.6.1	Step 1: Meet SCSI Grounding Requirements	A-20
A.6.2	Step 2: Configure SCSI Node IDs	A-20
A.6.2.1	Configuring Device IDs on Multihost SCSI Buses	A-21
A.6.2.2	Configuring Device IDs on Single-Host SCSI Buses	A-22
A.6.3	Step 3: Power Up and Verify SCSI Devices	A-22
A.6.4	Step 4: Show and Set SCSI Console Parameters	A-24
A.6.5	Step 5: Install the OpenVMS Operating System	A-26
A.6.6	Step 6: Configure Additional Systems	A-26
A.7	Supplementary Information	A-26
A.7.1	Running the OpenVMS Cluster Configuration Command Procedure	A-26
A.7.2	Error Reports and OPCOM Messages in Multihost SCSI Environments	A-28
A.7.2.1	SCSI Bus Resets	A-29
A.7.2.2	SCSI Timeouts	A-29
A.7.2.3	Mount Verify	A-30
A.7.2.4	Shadow Volume Processing	A-30
A.7.2.5	Expected OPCOM Messages in Multihost SCSI Environments	A-30
A.7.2.6	Error Log Basics	A-31
A.7.2.7	Error Log Entries in Multihost SCSI Environments	A-31
A.7.3	Restrictions and Known Problems	A-32
A.7.4	Troubleshooting	A-34
A.7.4.1	Termination Problems	A-34
A.7.4.2	Booting or Mounting Failures Caused by Incorrect Configurations	A-34
A.7.4.2.1	Bugchecks During the Bootstrap Process	A-34
A.7.4.2.2	Failure to Configure Devices	A-35
A.7.4.2.3	Mount Failures	A-35
A.7.4.3	Grounding	A-36
A.7.4.4	Interconnect Lengths	A-36

A.7.5	SCSI Arbitration Considerations . . . . .	A-36
A.7.5.1	Arbitration Issues in Multiple-Disk Environments . . . . .	A-37
A.7.5.2	Solutions for Resolving Arbitration Problems . . . . .	A-37
A.7.5.3	Arbitration and Bus Isolators . . . . .	A-38
A.7.6	Removal and Insertion of SCSI Devices While the OpenVMS Cluster System is Operating . . . . .	A-38
A.7.6.1	Terminology for Describing Hot Plugging . . . . .	A-39
A.7.6.2	Rules for Hot Plugging . . . . .	A-39
A.7.6.3	Procedures for Ensuring That a Device or Segment is Inactive . . . . .	A-42
A.7.6.4	Procedure for Hot Plugging StorageWorks SBB Disks . . . . .	A-43
A.7.6.5	Procedure for Hot Plugging HSZ <sub>xxx</sub> . . . . .	A-43
A.7.6.6	Procedure for Hot Plugging Host Adapters . . . . .	A-44
A.7.6.7	Procedure for Hot Plugging DWZZ <sub>x</sub> Controllers . . . . .	A-45
A.7.7	OpenVMS Requirements for Devices Used on Multihost SCSI OpenVMS Cluster Systems . . . . .	A-46
A.7.8	Grounding Requirements . . . . .	A-47

## B MEMORY CHANNEL Technical Summary

B.1	Product Overview . . . . .	B-1
B.1.1	MEMORY CHANNEL Features . . . . .	B-1
B.1.2	MEMORY CHANNEL Version 2.0 Features . . . . .	B-2
B.1.3	Hardware Components . . . . .	B-2
B.1.4	Backup Interconnect for High-Availability Configurations . . . . .	B-4
B.1.5	Software Requirements . . . . .	B-4
B.1.5.1	Memory Requirements . . . . .	B-4
B.1.5.2	Large-Memory Systems' Use of NPAGEVIR Parameter . . . . .	B-5
B.1.6	Configurations . . . . .	B-5
B.1.6.1	Configuration Support . . . . .	B-7
B.2	Technical Overview . . . . .	B-8
B.2.1	Comparison With Traditional Networks and SMP . . . . .	B-8
B.2.2	MEMORY CHANNEL in the OpenVMS Cluster Architecture . . . . .	B-10
B.2.3	MEMORY CHANNEL Addressing . . . . .	B-10
B.2.4	MEMORY CHANNEL Implementation . . . . .	B-13

## C CI-to-PCI Adapter (CIPCA) Support

C.1	CIPCA Overview . . . . .	C-1
C.2	Technical Specifications . . . . .	C-4
C.3	Configuration Support and Restrictions . . . . .	C-4
C.3.1	AlphaServer Support . . . . .	C-4
C.3.2	CI-Connected Host System Compatibility . . . . .	C-5
C.3.3	Storage Controller Support . . . . .	C-5
C.3.4	Star Coupler Expander Support . . . . .	C-5
C.3.5	Configuration Restrictions . . . . .	C-5
C.4	Installation Requirements . . . . .	C-6
C.4.1	Managing Bus Addressable Pool (BAP) Size . . . . .	C-6
C.4.2	AUTOCONFIGURE Restriction for OpenVMS Version 6.2-1H2 and OpenVMS Version 6.2-1H3 . . . . .	C-7
C.5	DECevent for Analyzing CIPCA Errors . . . . .	C-7
C.6	Performance Recommendations . . . . .	C-7
C.6.1	Synchronous Arbitration . . . . .	C-7
C.6.2	Maximizing CIPCA Performance With an HSJ50 and an HSJ80 . . . . .	C-8

## D Multiple-Site OpenVMS Clusters

D.1	What is a Multiple-Site OpenVMS Cluster System? .....	D-1
D.1.1	ATM, DS3, and FDDI Intersite Links .....	D-2
D.1.2	Benefits of Multiple-Site OpenVMS Cluster Systems .....	D-2
D.1.3	General Configuration Guidelines .....	D-4
D.2	Using FDDI to Configure Multiple-Site OpenVMS Cluster Systems .....	D-4
D.3	Using WAN Services to Configure Multiple-Site OpenVMS Cluster Systems .....	D-5
D.3.1	The ATM Communications Service .....	D-5
D.3.2	The DS3 Communications Service (T3 Communications Service) .....	D-6
D.3.3	FDDI-to-WAN Bridges .....	D-6
D.3.4	Guidelines for Configuring ATM and DS3 in an OpenVMS Cluster System .....	D-7
D.3.4.1	Requirements .....	D-7
D.3.4.2	Recommendations .....	D-8
D.3.5	Availability Considerations .....	D-10
D.3.6	Specifications .....	D-10
D.4	Managing OpenVMS Cluster Systems Across Multiple Sites .....	D-12
D.4.1	Methods and Tools .....	D-13
D.4.2	Shadowing Data .....	D-14
D.4.3	Monitoring Performance .....	D-14

## Index

### Examples

6-1	Messages Resulting from Manual Path Switch .....	6-32
6-2	Messages Displayed When Other Nodes Detect a Path Switch .....	6-33
7-1	Using <code>wwidmgr -show wwid</code> .....	7-37
7-2	Using <code>wwidmgr -show wwid -full</code> .....	7-38
7-3	Using <code>widmgr -quickset</code> .....	7-40
7-4	Boot Sequence from an FC System Disk .....	7-41
7-5	Enabling Clustering on a Standalone FC Node .....	7-47
7-6	Adding a Node to a Cluster with a Shared FC System Disk .....	7-49
A-1	SHOW DEVICE Command Sample Output .....	A-23
A-2	Adding a Node to a SCSI Cluster .....	A-27

### Figures

1	OpenVMS Cluster System Components and Features .....	xvii
1-1	Hardware and Operating System Components .....	1-5
4-1	Point-to-Point Gigabit Ethernet OpenVMS Cluster .....	4-18
4-2	Switched Gigabit Ethernet OpenVMS Cluster .....	4-19
6-1	Multibus Failover Configuration .....	6-4
6-2	Direct SCSI to MSCP Served Configuration With One Interconnect ..	6-5
6-3	Direct SCSI to MSCP Served Configuration With Two Interconnects .....	6-6
6-4	Storage Subsystem in Transparent Mode .....	6-9
6-5	Storage Subsystem in Multibus Mode .....	6-10

6-6	Port Addressing for Parallel SCSI Controllers in Multibus Mode . . . .	6-12
6-7	Port Addressing for Fibre Channel Controllers in Multibus Mode . . . .	6-12
6-8	Parallel SCSI Configuration With Transparent Failover . . . . .	6-13
6-9	Parallel SCSI Configuration With Multibus Failover and Multiple Paths . . . . .	6-14
6-10	Multiported Parallel SCSI Configuration With Single Interconnect in Transparent Mode . . . . .	6-15
6-11	Multiported Parallel SCSI Configuration With Multiple Paths in Transparent Mode . . . . .	6-15
6-12	Multiported Parallel SCSI Configuration With Multiple Paths in Multibus Mode . . . . .	6-16
6-13	Devices Named Using a Node Allocation Class . . . . .	6-17
6-14	Devices Named Using a Port Allocation Class . . . . .	6-18
6-15	Devices Named Using an HSZ Allocation Class . . . . .	6-18
6-16	Single Host With Two Dual-Ported Storage Controllers, One Dual-Ported MDR, and Two Buses . . . . .	6-21
6-17	Single Host With Two Dual-Ported Storage Controllers, One Dual-Ported MDR, and Four Buses . . . . .	6-22
6-18	Two Hosts With Two Dual-Ported Storage Controllers, One Dual-Ported MDR, and Four Buses . . . . .	6-23
6-19	Two Hosts With Shared Buses and Shared Storage Controllers . . . . .	6-24
6-20	Two Hosts With Shared, Multiported Storage Controllers . . . . .	6-25
6-21	Invalid Multipath Configuration . . . . .	6-26
6-22	Fibre Channel Path Naming . . . . .	6-28
6-23	Configuration With Multiple Direct Paths . . . . .	6-28
7-1	Switched Topology (Logical View) . . . . .	7-3
7-2	Switched Topology (Physical View) . . . . .	7-4
7-3	Arbitrated Loop Topology Using MSA 1000 . . . . .	7-5
7-4	Single Host With One Dual-Ported Storage Controller . . . . .	7-9
7-5	Multiple Hosts With One Dual-Ported Storage Controller . . . . .	7-10
7-6	Multiple Hosts With Storage Controller Redundancy . . . . .	7-11
7-7	Multiple Hosts With Multiple Independent Switches . . . . .	7-12
7-8	Multiple Hosts With Dual Fabrics . . . . .	7-13
7-9	Multiple Hosts With Larger Dual Fabrics . . . . .	7-14
7-10	Multiple Hosts With Four Fabrics . . . . .	7-15
7-11	Fibre Channel Host and Port Addresses . . . . .	7-16
7-12	Fibre Channel Host and Port WWIDs and Addresses . . . . .	7-17
7-13	Fibre Channel Initiator and Target Names . . . . .	7-18
7-14	Fibre Channel Disk Device Naming . . . . .	7-19
8-1	LAN OpenVMS Cluster System . . . . .	8-7
8-2	Two-LAN Segment OpenVMS Cluster Configuration . . . . .	8-10
8-3	Three-LAN Segment OpenVMS Cluster Configuration . . . . .	8-11
8-4	DSSI OpenVMS Cluster System . . . . .	8-13
8-5	CI OpenVMS Cluster System . . . . .	8-16
8-6	MEMORY CHANNEL Cluster . . . . .	8-18
8-7	OpenVMS Cluster with Satellites . . . . .	8-21
8-8	Multiple-Site OpenVMS Cluster Configuration Connected by WAN Link . . . . .	8-23

9-1	Redundant HSJs and Host CI Adapters Connected to Same CI (Configuration 1) . . . . .	9-2
9-2	Redundant HSJs and Host CI Adapters Connected to Redundant CIs (Configuration 2) . . . . .	9-5
9-3	Redundant Components and Path-Separated Star Couplers (Configuration 3) . . . . .	9-8
9-4	Redundant Components, Path-Separated Star Couplers, and Duplicate StorageWorks Cabinets (Configuration 4) . . . . .	9-11
10-1	OpenVMS Cluster Growth Dimensions . . . . .	10-1
10-2	Two-Node CI OpenVMS Cluster . . . . .	10-4
10-3	Three-Node CI OpenVMS Cluster . . . . .	10-6
10-4	Seven-Node CI OpenVMS Cluster . . . . .	10-7
10-5	Volume Shadowing on a Single Controller . . . . .	10-9
10-6	Volume Shadowing Across Controllers . . . . .	10-10
10-7	Volume Shadowing Across Nodes . . . . .	10-11
10-8	Two-Node DSSI OpenVMS Cluster . . . . .	10-12
10-9	Four-Node DSSI OpenVMS Cluster with Shared Access . . . . .	10-13
10-10	DSSI OpenVMS Cluster with 10 Disks . . . . .	10-14
10-11	Two-Node MEMORY CHANNEL OpenVMS Cluster . . . . .	10-15
10-12	Three-Node MEMORY CHANNEL OpenVMS Cluster . . . . .	10-16
10-13	MEMORY CHANNEL Cluster with a CI Cluster . . . . .	10-17
10-14	Two-Node Fast-Wide SCSI Cluster . . . . .	10-19
10-15	Two-Node Fast-Wide SCSI Cluster with HSZ Storage . . . . .	10-20
10-16	Three-Node Fast-Wide SCSI Cluster . . . . .	10-21
10-17	Four-Node Ultra SCSI Hub Configuration . . . . .	10-22
10-18	Six-Satellite LAN OpenVMS Cluster . . . . .	10-23
10-19	Six-Satellite LAN OpenVMS Cluster with Two Boot Nodes . . . . .	10-24
10-20	Twelve-Satellite OpenVMS Cluster with Two LAN Segments . . . . .	10-25
10-21	Forty-Five Satellite OpenVMS Cluster with FDDI Ring . . . . .	10-26
10-22	High-Powered Workstation Server Configuration 1995 . . . . .	10-28
10-23	High-Powered Workstation Server Configuration 2004 . . . . .	10-29
10-24	Comparison of Direct and MSCP Served Access . . . . .	10-34
10-25	Hot-File Distribution . . . . .	10-36
11-1	Common Environment with a Single System Disk . . . . .	11-3
11-2	Simple LAN OpenVMS Cluster with a Single System Disk . . . . .	11-4
11-3	Multiple System Disks in a Common Environment . . . . .	11-6
11-4	Multiple-Environment OpenVMS Cluster . . . . .	11-10
A-1	Key to Symbols Used in Figures . . . . .	A-2
A-2	Highly Available Servers for Shared SCSI Access . . . . .	A-3
A-3	Maximum Stub Lengths . . . . .	A-9
A-4	Conceptual View: Basic SCSI System . . . . .	A-11
A-5	Sample Configuration: Basic SCSI System Using AlphaServer 1000, KZPAA Adapter, and BA350 Enclosure . . . . .	A-11
A-6	Conceptual View: Using DWZZAs to Allow for Increased Separation or More Enclosures . . . . .	A-13
A-7	Sample Configuration: Using DWZZAs to Allow for Increased Separation or More Enclosures . . . . .	A-14
A-8	Sample Configuration: Three Hosts on a SCSI Bus . . . . .	A-15



A-9	Sample Configuration: SCSI System Using Differential Host Adapters (KZPSA) . . . . .	A-17
A-10	Conceptual View: SCSI System Using a SCSI Hub . . . . .	A-18
A-11	Sample Configuration: SCSI System with SCSI Hub Configuration . . . . .	A-19
A-12	Setting Allocation Classes for SCSI Access . . . . .	A-21
A-13	SCSI Bus Topology . . . . .	A-40
A-14	Hot Plugging a Bus Isolator . . . . .	A-41
B-1	MEMORY CHANNEL Hardware Components . . . . .	B-3
B-2	Four-Node MEMORY CHANNEL Cluster . . . . .	B-3
B-3	Virtual Hub MEMORY CHANNEL Cluster . . . . .	B-4
B-4	MEMORY CHANNEL- and SCSI-Based Cluster . . . . .	B-5
B-5	MEMORY CHANNEL CI- and SCSI-Based Cluster . . . . .	B-6
B-6	MEMORY CHANNEL DSSI-Based Cluster . . . . .	B-7
B-7	OpenVMS Cluster Architecture and MEMORY CHANNEL . . . . .	B-10
B-8	Physical Memory and I/O Address Space . . . . .	B-11
B-9	MEMORY CHANNEL Bus Architecture . . . . .	B-12
C-1	CIPCA in a Mixed-Architecture OpenVMS Cluster . . . . .	C-2
C-2	CIPCA in an Alpha OpenVMS Cluster . . . . .	C-3
D-1	Site-to-Site Link Between Philadelphia and Washington . . . . .	D-2
D-2	Multiple-Site OpenVMS Cluster Configuration with Remote Satellites . . . . .	D-4
D-3	ATM/SONET OC-3 Service . . . . .	D-6
D-4	DS3 Service . . . . .	D-6
D-5	Multiple-Site OpenVMS Cluster Configuration Connected by DS3 . . . . .	D-7

## Tables

1	Document Organization . . . . .	xviii
1-1	OpenVMS Cluster System Benefits . . . . .	1-1
1-2	Hardware Components in an OpenVMS Cluster System . . . . .	1-2
1-3	Operating System Components . . . . .	1-4
1-4	OpenVMS Cluster Networking Components . . . . .	1-6
2-1	Availability Requirements . . . . .	2-2
2-2	Determining Your Application Requirements . . . . .	2-3
2-3	Resource Requirements of Application Types . . . . .	2-4
2-4	System Management Tools from HP . . . . .	2-4
2-5	System Management Products from OpenVMS Partners . . . . .	2-6
3-1	System Types . . . . .	3-2
4-1	Interconnect Characteristics . . . . .	4-2
4-2	Comparison of Cluster Interconnect Types . . . . .	4-2
4-3	System Support for Cluster (Including Shared Storage) Interconnects . . . . .	4-4
4-4	Maximum Data Transfer Rates in Megabytes per Second . . . . .	4-9
4-5	Maximum SCSI Interconnect Distances . . . . .	4-9
4-6	SCSI Adapters . . . . .	4-10
4-7	LAN Interconnect Support for OpenVMS Clusters . . . . .	4-15
5-1	Interconnects and Corresponding Storage Devices . . . . .	5-2

5-2	Estimating Disk Capacity Requirements .....	5-3
5-3	Disk Performance Optimizers .....	5-5
5-4	Storage Availability Optimizers .....	5-6
6-1	Multipath SCSI and FC Configuration Requirements .....	6-7
6-2	Multipath FC and SCSI Configuration Restrictions .....	6-8
6-3	Multipath System Parameters .....	6-26
6-4	SHOW DEVICE/FULL Multipath Terms .....	6-30
7-1	Fibre Channel Features and OpenVMS Support .....	7-2
7-2	Fibre Channel Hardware Components .....	7-6
8-1	Availability Requirements .....	8-1
8-2	Failover Mechanisms .....	8-2
8-3	Products That Increase Availability .....	8-3
8-4	Availability Strategies .....	8-4
8-5	Strategies for Maintaining Availability .....	8-5
10-1	Scalable Dimensions in OpenVMS Clusters .....	10-2
10-2	Scalability Strategies .....	10-3
10-3	Extended LAN Configuration Guidelines .....	10-30
10-4	OpenVMS Cluster System Parameters .....	10-32
10-5	Disk Technology Summary .....	10-35
10-6	Types of Caching .....	10-35
11-1	Advantages of Multiple System Disks .....	11-5
11-2	How Multiple System Disks Are Used .....	11-7
11-3	Comparison of Single and Multiple System Disks .....	11-8
11-4	Quorum Strategies .....	11-12
11-5	OpenVMS Cluster Polling Parameters .....	11-13
A-1	Requirements for SCSI Multihost OpenVMS Cluster Configurations .....	A-4
A-2	Supported Hardware for SCSI OpenVMS Cluster Systems .....	A-6
A-3	Maximum Data Transfer Rates (MB/s) .....	A-8
A-4	Maximum SCSI Interconnect Distances .....	A-8
A-5	Steps for Installing a SCSI OpenVMS Cluster System .....	A-20
A-6	SCSI Environment Parameters .....	A-24
A-7	Steps for Installing Additional Nodes .....	A-27
A-8	Steps for Ensuring Proper Grounding .....	A-47
B-1	MEMORY CHANNEL Configuration Support .....	B-7
B-2	Comparison of SMP, MEMORY CHANNEL, and Standard Networks .....	B-9
B-3	MEMORY CHANNEL Page Attributes .....	B-13
C-1	CIPCA and CIXCD Performance .....	C-4
C-2	AlphaServer Support for CIPCAs .....	C-4
C-3	Controller Requirements for Supporting CIPCA .....	C-5
C-4	BAP Allocation by Adapter Type and OpenVMS Version .....	C-6
D-1	DS3 Protocol Options .....	D-8
D-2	Bellcore and OpenVMS Cluster Requirements and Goals Terminology .....	D-11
D-3	OpenVMS Cluster DS3 and SONET OC3 Error Performance Requirements .....	D-12



---

# Preface

This document can help you design an OpenVMS Cluster configuration to suit your business, application, and computing needs.

It provides information to help you choose systems, interconnects, storage devices, and software. It can also help you combine these components to achieve high availability, scalability, performance, and ease of system management.

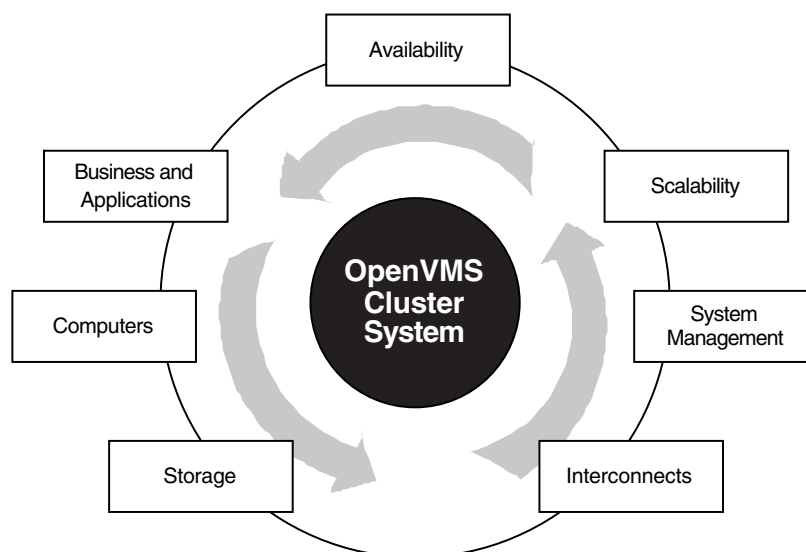
## Intended Audience

This document is for people who purchase or recommend the purchase of OpenVMS Cluster products and for people who configure OpenVMS Cluster systems. It assumes a basic understanding of computers and OpenVMS Cluster concepts.

## About This Guide

OpenVMS Cluster systems are designed to act as a single virtual system, even though they are made up of many components and features, as shown in Figure 1.

**Figure 1 OpenVMS Cluster System Components and Features**



ZK-7062A-GE

Understanding the components and features of an OpenVMS Cluster configuration can help you to get the most out of your cluster. Table 1 shows how this guide is organized to explain these cluster concepts.

**Table 1 Document Organization**

Read...	Chapter Title	So that you can...
Chapter 1	Overview of OpenVMS Cluster System Configurations	Understand OpenVMS Cluster hardware, software, and general concepts
Chapter 2	Determining Business and Application Requirements	Learn to analyze your business and application needs and how they apply to your cluster
Chapter 3	Choosing OpenVMS Cluster Systems	Understand your computer requirements and make appropriate choices
Chapter 4	Choosing OpenVMS Cluster Interconnects	Learn about cluster interconnects and make appropriate choices
Chapter 5	Choosing OpenVMS Cluster Storage Subsystems	Learn to analyze your storage requirements and make appropriate choices
Chapter 6	Configuring Multiple Paths to SCSI and Fibre Channel Storage	Learn how to configure multiple paths to storage using Parallel SCSI or Fibre Channel interconnects, thereby increasing availability
Chapter 7	Configuring Fibre Channel as an OpenVMS Cluster Storage Interconnect	Learn how to configure an OpenVMS Cluster with Fibre Channel as a storage interconnect
Chapter 8	Configuring OpenVMS Clusters for Availability	Understand how to increase the availability of a cluster system
Chapter 9	Configuring CI OpenVMS Clusters for Availability and Performance	Learn how to use multiple components and advanced techniques to obtain high levels of availability and performance
Chapter 10	Configuring OpenVMS Clusters for Scalability	Learn how to expand an OpenVMS Cluster system in all of its dimensions, while understanding the tradeoffs
Chapter 11	OpenVMS Cluster System Management Strategies	Understand and deal effectively with some of the issues involved in managing an OpenVMS Cluster system
Appendix A	SCSI as an OpenVMS Cluster Interconnect	Configure multiple hosts and storage on a single SCSI bus so that multiple VAX and Alpha hosts can share access to SCSI devices directly
Appendix B	MEMORY CHANNEL Technical Summary	Learn why, when, and how to use the MEMORY CHANNEL interconnect
Appendix C	CI-to-PCI Adapter (CIPCA) Technical Summary	Learn why, when, and how to use the CIPCA adapter
Appendix D	Multiple-Site OpenVMS Clusters	Understand the benefits, the configuration options and requirements, and the management of multiple-site OpenVMS Cluster systems

## Related Documents

For additional information on the topics covered in this manual, refer to the following documents:

- OpenVMS Cluster Software *Software Product Description* (SPD 29.78.xx)
- *HP OpenVMS Cluster Systems*
- *HP Volume Shadowing for OpenVMS*
- *HP OpenVMS Alpha Partitioning and Galaxy Guide*
- *HP OpenVMS Availability Manager User's Guide*
- *DECams User's Guide*

- *OpenVMS Performance Management*
- *DECnet for OpenVMS Networking Manual*
- *Guide to OpenVMS File Applications*
- *HP OpenVMS Guide to System Security*
- *HP OpenVMS System Manager's Manual*

For additional information about HP OpenVMS products and services, visit the following World Wide Web address:

<http://www.hp.com/go/openvms>

## Reader's Comments

HP welcomes your comments on this manual. Please send comments to either of the following addresses:

Internet	<b>openvmsdoc@hp.com</b>
Postal Mail	Hewlett-Packard Company OSSG Documentation Group, ZKO3-4/U08 110 Spit Brook Rd. Nashua, NH 03062-2698

## How To Order Additional Documentation

For information about how to order additional documentation, visit the following World Wide Web address:

<http://www.hp.com/go/openvms/doc/order>

## Conventions

VMScluster systems are now referred to as OpenVMS Cluster systems. Unless otherwise specified, references to OpenVMS Clusters or clusters in this document are synonymous with VMSclusters.

In this manual, every use of DECwindows and DECwindows Motif refers to DECwindows Motif for OpenVMS software.

The following conventions may be used in this manual:

Ctrl/ <i>x</i>	A sequence such as Ctrl/ <i>x</i> indicates that you must hold down the key labeled Ctrl while you press another key or a pointing device button.
PF1 <i>x</i>	A sequence such as PF1 <i>x</i> indicates that you must first press and release the key labeled PF1 and then press and release another key or a pointing device button.
<span style="border: 1px solid black; padding: 2px;">Return</span>	In examples, a key name enclosed in a box indicates that you press a key on the keyboard. (In text, a key name is not enclosed in a box.)  In the HTML version of this document, this convention appears as brackets, rather than a box.

...	A horizontal ellipsis in examples indicates one of the following possibilities: <ul style="list-style-type: none"> <li>• Additional optional arguments in a statement have been omitted.</li> <li>• The preceding item or items can be repeated one or more times.</li> <li>• Additional parameters, values, or other information can be entered.</li> </ul>
. . .	A vertical ellipsis indicates the omission of items from a code example or command format; the items are omitted because they are not important to the topic being discussed.
( )	In command format descriptions, parentheses indicate that you must enclose choices in parentheses if you specify more than one.
[ ]	In command format descriptions, brackets indicate optional choices. You can choose one or more items or no items. Do not type the brackets on the command line. However, you must include the brackets in the syntax for OpenVMS directory specifications and for a substring specification in an assignment statement.
	In command format descriptions, vertical bars separate choices within brackets or braces. Within brackets, the choices are optional; within braces, at least one choice is required. Do not type the vertical bars on the command line.
{ }	In command format descriptions, braces indicate required choices; you must choose at least one of the items listed. Do not type the braces on the command line.
<b>bold type</b>	Bold type represents the introduction of a new term. It also represents the name of an argument, an attribute, or a reason.
<i>italic type</i>	Italic type indicates important information, complete titles of manuals, or variables. Variables include information that varies in system output (Internal error <i>number</i> ), in command lines ( <i>/PRODUCER=name</i> ), and in command parameters in text (where <i>dd</i> represents the predefined code for the device type).
UPPERCASE TYPE	Uppercase type indicates a command, the name of a routine, the name of a file, or the abbreviation for a system privilege.
Example	This typeface indicates code examples, command examples, and interactive screen displays. In text, this type also identifies URLs, UNIX commands and pathnames, PC-based commands and folders, and certain elements of the C programming language.
-	A hyphen at the end of a command format description, command line, or code line indicates that the command or statement continues on the following line.
numbers	All numbers in text are assumed to be decimal unless otherwise noted. Nondecimal radices—binary, octal, or hexadecimal—are explicitly indicated.

---

# Overview of OpenVMS Cluster System Configuration

This chapter contains information about OpenVMS Cluster hardware and software components, as well as general configuration rules.

## 1.1 OpenVMS Cluster Configurations

An OpenVMS Cluster system is a group of OpenVMS systems, storage subsystems, interconnects, and software that work together as one virtual system. An OpenVMS Cluster system can be homogeneous, that is, all systems are the same architecture (Alpha, VAX, or the HP Integrity servers (based on the Intel® Itanium® architecture)) all running OpenVMS. An OpenVMS Cluster can be heterogeneous, that is, a combination of two architectures with all systems running OpenVMS. The two valid combinations are Alpha and VAX or Alpha and HP Integrity servers based on the Intel® Itanium® architecture.

In an OpenVMS Cluster system, each system:

- Shares processing resources, queues, and data storage
- Can boot or fail independently
- Runs the OpenVMS operating system

In addition, an OpenVMS Cluster system is managed as a single entity.

---

### Note

---

In a heterogeneous cluster, only one architecture is supported per system disk and per system boot block. For more information, see Section 11.8.

---

Table 1–1 shows the benefits that an OpenVMS Cluster system offers.

**Table 1–1 OpenVMS Cluster System Benefits**

Benefit	Description
Resource sharing	Multiple systems can access the same storage devices, so that users can share files clusterwide. You can also distribute applications, batch, and print-job processing across multiple systems. Jobs that access shared resources can execute on any system.
Availability	Data and applications remain available during scheduled or unscheduled downtime of individual systems. A variety of configurations provide many levels of availability up to and including disaster-tolerant operation.

(continued on next page)

# Overview of OpenVMS Cluster System Configuration

## 1.1 OpenVMS Cluster Configurations

**Table 1–1 (Cont.) OpenVMS Cluster System Benefits**

Benefit	Description
Flexibility	OpenVMS Cluster computing environments offer compatible hardware and software across a wide price and performance range.
Scalability	You can add processing and storage resources without disturbing the rest of the system. The full range of systems, from high-end multiprocessor systems to smaller workstations, can be interconnected and easily reconfigured to meet growing needs. You control the level of performance and availability as you expand.
Ease of management	OpenVMS Cluster management is efficient and secure. Because you manage an OpenVMS Cluster as a single system, many tasks need to be performed only once. OpenVMS Clusters automatically balance user, batch, and print work loads.
Open systems	Adherence to IEEE, POSIX, OSF/1, Motif, OSF DCE, ANSI SQL, and TCP/IP standards provides OpenVMS Cluster systems with application portability and interoperability.

## 1.2 Hardware Components

An OpenVMS Cluster system comprises many hardware components, such as systems, interconnects, adapters, storage subsystems, and peripheral devices. Table 1–2 describes these components and provides examples.

**Table 1–2 Hardware Components in an OpenVMS Cluster System**

Components	Description	Examples
System	A cabinet that contains one or more processors, memory, and input/output (I/O) adapters that act as a single processing body.  <b>Reference:</b> See Chapter 3 for more information about OpenVMS systems.	OpenVMS Cluster systems can contain any supported Alpha, VAX, or HP Integrity server system.
Interconnect	The hardware connection between OpenVMS Cluster nodes over which the nodes communicate.  <b>Reference:</b> See Chapter 4 for more information about OpenVMS Cluster interconnects.	An OpenVMS Cluster system can have one or more of the following interconnects: <ul style="list-style-type: none"><li>• CI</li><li>• Digital Storage Systems Interconnect (DSSI)</li><li>• Fiber Distributed Data Interface (FDDI)</li><li>• MEMORY CHANNEL</li><li>• Small Computer Systems Interface (SCSI)</li><li>• Fibre Channel</li><li>• Ethernet, Fast Ethernet, Gigabit Ethernet</li><li>• ATM (asynchronous transfer mode)</li></ul>

(continued on next page)

# Overview of OpenVMS Cluster System Configuration

## 1.2 Hardware Components

**Table 1–2 (Cont.) Hardware Components in an OpenVMS Cluster System**

Components	Description	Examples
Storage subsystems	Devices on which data is stored and the optional controllers that manage the devices.  <b>Reference:</b> See Chapter 5 for more information about OpenVMS storage subsystems.	Storage subsystems can include: <ul style="list-style-type: none"><li>• SCSI disks and tapes</li><li>• SDI, STI disks and tapes</li><li>• Storage array cabinets</li><li>• SDI/STI and SCSI storage controllers</li><li>• InfoServer systems</li></ul>
Adapter	Devices that connect nodes in an OpenVMS Cluster to interconnects and storage.  <b>Reference:</b> See Chapter 4 for more information about adapters.	The adapters used on Peripheral Component Interconnect (PCI) systems include the following: <ul style="list-style-type: none"><li>• CIPCA (CI)</li><li>• KFPSA (DSSI)</li><li>• KZPSA (SCSI)</li><li>• DEFPA (FDDI)</li><li>• DE435 (Ethernet)</li><li>• KGPSA (Fibre Channel)</li><li>• DEGPA (Gigabit Ethernet)</li></ul>
Peripheral devices	Devices that provide input to and produce output from a system.	Peripheral devices include: <ul style="list-style-type: none"><li>• Terminals, terminal servers, and modems</li><li>• Printers, plotters</li></ul>

## 1.3 Software Components

OpenVMS Cluster system software can be divided into the following types:

- OpenVMS operating system components
- Networking components
- Storage enhancement software
- System management software
- Business applications

### 1.3.1 OpenVMS Operating System Components

The operating system manages proper operation of hardware and software components and resources.

Table 1–3 describes the operating system components necessary for OpenVMS Cluster operations. All of these components are enabled by an OpenVMS operating system license or an OpenVMS Cluster license.

# Overview of OpenVMS Cluster System Configuration

## 1.3 Software Components

**Table 1–3 Operating System Components**

Component	Function
Record Management Services (RMS) and OpenVMS file system	Provide shared read and write access to files on disks and tapes in an OpenVMS Cluster environment.
Clusterwide process services	Enables clusterwide operation of OpenVMS commands, such as <code>SHOW SYSTEM</code> and <code>SHOW USERS</code> , as well as the ability to create and delete processes clusterwide.
Distributed Lock Manager	Synchronizes access by many users to shared resources.
Distributed Job Controller	Enables clusterwide sharing of batch and print queues, which optimizes the use of these resources.
Connection Manager	Controls the membership and quorum of the OpenVMS Cluster members.
SCS (System Communications Services)	Implements OpenVMS Cluster communications between nodes using the OpenVMS System Communications Architecture (SCA).
MSCP server	Makes locally connected disks to which it has direct access available to other systems in the OpenVMS Cluster.
TMSCP server	Makes locally connected tapes to which it has direct access available to other systems in the OpenVMS Cluster.

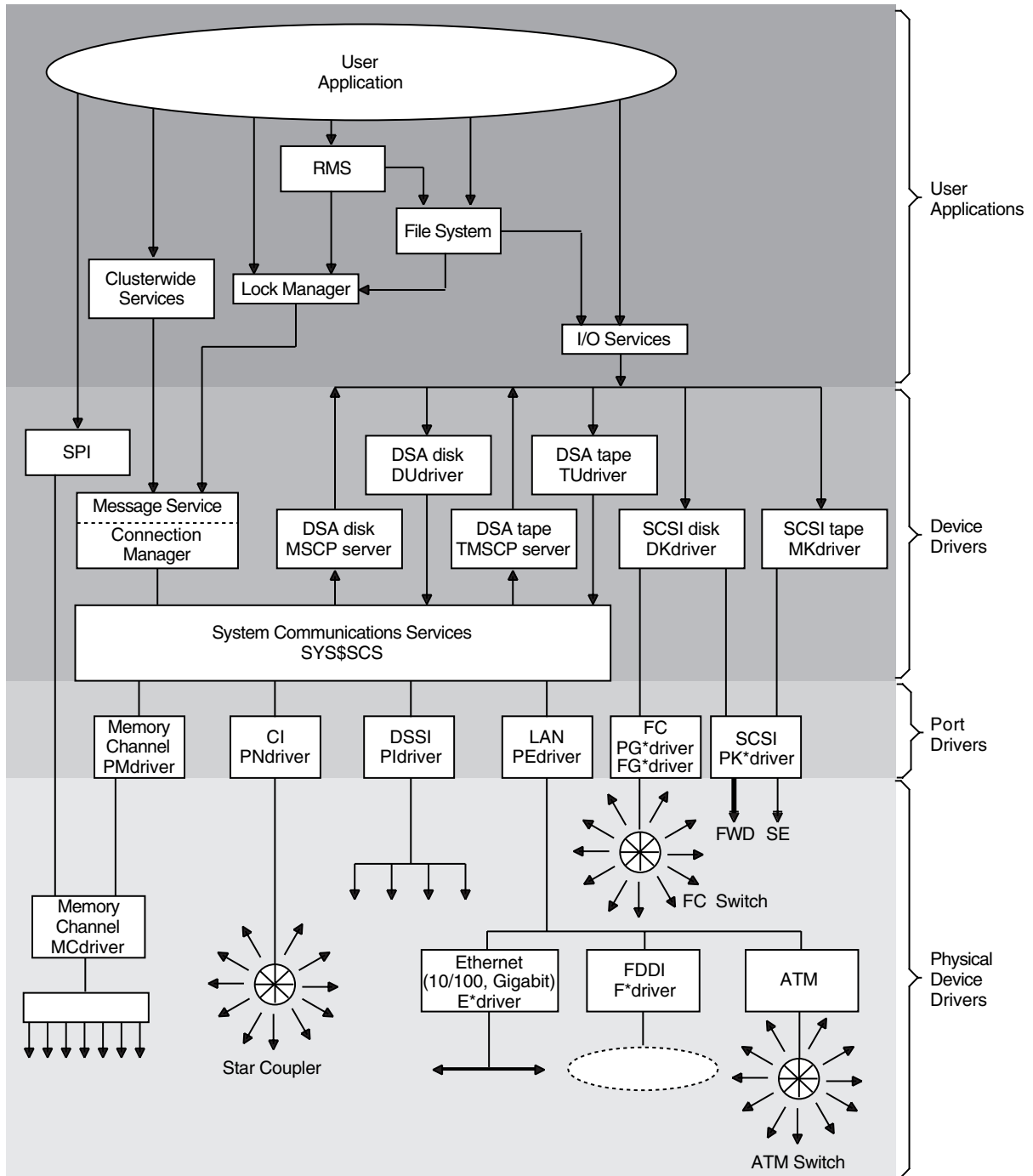
Figure 1–1 shows how the hardware and operating system components fit together in a typical OpenVMS Cluster system.



# Overview of OpenVMS Cluster System Configuration

## 1.3 Software Components

Figure 1-1 Hardware and Operating System Components



VM-0161A-AI

### 1.3.2 Networking Components

Table 1-4 describes the optional networking software that enables OpenVMS Cluster system nodes to communicate and share resources with other OpenVMS Cluster nodes.

# Overview of OpenVMS Cluster System Configuration

## 1.3 Software Components

**Table 1–4 OpenVMS Cluster Networking Components**

Optional Software	Function
DECnet-Plus	A network transport is necessary for internode communication.
Distributed File Service (DFS)	Software to let you communicate and share resources among systems over extended distances.
Distributed File Service (DFS)	Software to let you communicate and share resources among systems over extended distances.
LAT software	Used with terminal server hardware to support Ethernet-based character cell terminals. During a system failure, LAT software automatically makes a connection to one of the remaining systems.
Advanced Server for OpenVMS and PATHWORKS for OpenVMS (Advanced Server)	Client and server networking software that links PC systems into OpenVMS Cluster systems.
TCP/IP Services for OpenVMS software	Provides Network File System (NFS) server capabilities for OpenVMS and supports Internet networking protocols.

### 1.3.3 Storage Enhancement Software

Optional storage enhancement software improves the performance or availability of storage subsystems.

Examples include:

- Volume Shadowing for OpenVMS (redundant arrays of independent disks [RAID] level 1)
- DECram for OpenVMS (random access memory [RAM] disk)
- RAID Software for OpenVMS (supports RAID level 0 arrays (disk striping) and RAID level 5 arrays (disk striping with parity))
- Hierarchical Storage Manager (HSM)

For the latest information about OpenVMS storage management products, refer to the OpenVMS Products page of the OpenVMS web site:

<http://www.hp.com/go/openvms>

### 1.3.4 System Management Software

System management software helps you manage your OpenVMS Cluster system.

Examples include:

- HP Availability Manager and DIGITAL Availability Manager for Distributed Systems (DECamds)  
**Note:** Availability Manager and DECamds are provided with the OpenVMS operating system.
- HP Archive/Backup System for OpenVMS
- HP Code Management System for OpenVMS
- HP Graphical Configuration Manager (GCM)

### 1.3.5 Business Applications

Business applications are optional software packages that help you perform your business function.

Examples include:

- Database systems, such as Oracle Rdb, Oracle CDD/Repository, and Sybase
- Transaction processing systems, such as HP ACMS for OpenVMS
- Transaction routing systems, such as Reliable Transaction Router
- OpenVMS e-Business Infrastructure applications, such as COM for HP OpenVMS and HP Secure Web Server for OpenVMS. For OpenVMS Alpha, these applications are included on the OpenVMS e-Business Infrastructure CD-ROM. For OpenVMS I64, the Secure Web Server is included in the OpenVMS I64 Foundation Operating Environment. COM for HP OpenVMS I64 will be available in a future release.

## 1.4 Configuring an OpenVMS Cluster System

To take advantage of OpenVMS Cluster features and benefits, proper configuration is essential. An ideal OpenVMS Cluster configuration meets the following criteria:

- Provides the best combination of hardware and software components to meet your business requirements.
- Strategically distributes your budget dollars to return maximum value in the areas that are high priority for your business.
- Meets your current needs and retains your investment as your business needs grow and change.

Configuring your OpenVMS Cluster system requires careful planning because you need to consider many factors. You will probably modify plans as new factors arise. As your design evolves, you can weigh advantages against tradeoffs and make decisions that best meet your needs.

### 1.4.1 General Configuration Rules

The following general rules apply to OpenVMS Cluster systems:

- An OpenVMS Cluster system consisting of Alpha and VAX systems cannot contain more than 96 (combined total) systems.
- An OpenVMS Cluster system consisting of Alpha and I64 systems cannot contain more than 16 (combined total) systems with a maximum of 8 I64 systems for OpenVMS Version 8.2. Larger clusters will be supported in subsequent releases.
- An Alpha and a VAX system can not boot from the same system disk. System disks are architecture specific and can be shared only by systems of the same architecture.

Cross-architecture **satellite** booting is supported. Alpha satellites (clients) can boot from a VAX boot server, and VAX satellites (clients) can boot from an Alpha boot server.

- Every OpenVMS node must be able to communicate directly with every other OpenVMS Cluster node.

## Overview of OpenVMS Cluster System Configuration

### 1.4 Configuring an OpenVMS Cluster System

Configurations that use a shared (multihost) SCSI bus or a shared (multihost) Fibre Channel interconnect must also be configured with any of the other supported OpenVMS Cluster interconnects, because node-to-node communication does not occur across the SCSI bus or the Fibre Channel.

**Reference:** See Section 4.8 for more information about the SCSI interconnect and Section 4.6 for more information about the Fibre Channel interconnect.

Configurations that use a MEMORY CHANNEL interconnect must also be configured with any of the other supported OpenVMS Cluster interconnects for access to storage. Storage cannot be configured on MEMORY CHANNEL.

**Reference:** See Section 4.7 for more information about MEMORY CHANNEL.

- An OpenVMS Cluster node or storage device can participate in only one OpenVMS Cluster system at a time.
- DECnet-Plus software is not required in an OpenVMS Cluster configuration. However, DECnet-Plus is necessary if internode process-to-process communication using DECnet mailboxes is needed. Starting with OpenVMS Version 7.0, the Monitor utility uses a TCP/IP or DECnet transport, as appropriate, for intracluster communication.

In addition to these general rules, more detailed guidelines apply to different configurations. The rest of this manual discusses those guidelines in the context of specific configurations.

---

# Determining Business and Application Requirements

This chapter contains information about how to determine your OpenVMS Cluster business and application requirements.

## 2.1 Determining Business Requirements

The kinds of business requirements that you have affect the way that you configure your OpenVMS Cluster. Typical business requirements for an OpenVMS Cluster system include:

- Budget
- Availability
- Scalability and future growth
- Physical location requirements
- Security

Some of these requirements may conflict with each other, such as scalability and physical location. For example, you may want to grow your OpenVMS Cluster, but you are limited by physical space or by the location of your systems. In situations like this, determine what your primary requirements are and where you are willing to make tradeoffs.

### 2.1.1 Budget

As with most business decisions, many of your choices will be determined by cost. Prioritizing your requirements can help you apply your budget resources to areas with the greatest business needs.

When determining your budget, plan for the initial system cost as well as the cost of ownership, which includes:

- Service and update
- Power consumption
- Cooling
- System management

## Determining Business and Application Requirements

### 2.1 Determining Business Requirements

#### 2.1.2 Availability

Determine how available your computing system must be. Most organizations fall into one of the three broad (and sometimes overlapping) categories shown in Table 2–1.

**Table 2–1 Availability Requirements**

Availability Requirements	Description
Conventional	For business functions that can wait with little or no effect while a system or application is unavailable.
24 x 365	For business functions that require uninterrupted computing services, either during essential time periods or during most hours of the day throughout the year. Minimal down time is acceptable.
Disaster tolerant	For business functions with extremely stringent availability requirements. These businesses need to be immune to disasters like earthquakes, floods, and power failures.

**Reference:** For more information about availability, see Chapter 8 and Chapter 9 in this guide.

#### 2.1.3 Scalability and Future Growth

Scalability is the ability to expand an OpenVMS Cluster in any system, storage, and interconnect dimension and at the same time fully use the initial configuration equipment. Scalability at the node level means being able to upgrade and add to your node's hardware and software. Scalability at the OpenVMS Cluster level means being able to increase the capacity of your entire OpenVMS Cluster system by adding processing power, interconnects, and storage across many nodes.

Among the low-end PCs and workstations, midrange departmental systems, and high-end data center systems offered by HP, each level has different processing, storage, and interconnect characteristics. Investing in the appropriate level means choosing systems that meet and perhaps exceed your current business requirements with some extra capacity to spare. The extra capacity is for future growth, because designing too close to your current needs can limit or reduce the scalability of your OpenVMS Cluster.

If you design with future growth in mind, you can make the most of your initial investment, reuse original equipment, and avoid unnecessary upgrades later.

**Reference:** See Chapter 10 for more help with analyzing your scalability requirements.

#### 2.1.4 Physical Location Requirements

Physical restrictions can play a key role in how you configure your OpenVMS Cluster. Designing a cluster for a small computer room or office area is quite different from designing one that will be spread throughout a building or across several miles. Power and air-conditioning requirements can also affect configuration design.

You may want to allow room for physical growth and increased power and cooling requirements when designing your cluster.

**Reference:** See Section 8.6 and Section 10.7.8 for information about multiple and extended local area network (LAN) configurations.

# Determining Business and Application Requirements

## 2.1 Determining Business Requirements

### 2.1.5 Security

A secure environment is one that limits physical and electronic access to systems by unauthorized users. Most businesses can achieve a secure environment with little or no performance overhead. However, if security is your highest priority, you may need to make tradeoffs in convenience, cost, and performance.

**Reference:** See the *HP OpenVMS Guide to System Security* for more information.

## 2.2 Determining Application Requirements

Applications require processing power, memory, storage, and I/O resources. Determining your application requirements allows you to design an OpenVMS Cluster system that will meet your application needs. To determine your application requirements, follow the steps described in Table 2–2.

**Table 2–2 Determining Your Application Requirements**

Step	Description
1	Make a list of the applications you currently run or expect to run.
2	For each application, write down your processor, memory, and I/O requirements (the application documentation provides this information.)  Processor power must be proportional to the number of calculations your applications perform, with enough additional processor power to oversee data transfer between nodes and between nodes and storage.  Memory capacity must be sufficient for your applications and for additional OpenVMS Cluster functions. Extra memory frequently improves system performance, so an initial investment in extra memory is probably a good one.  I/O performance requirements differ among applications. As you choose components such as nodes, interconnects, and adapters, monitor the inherent speed of each component so that you can choose faster components and eliminate potential bottlenecks.
3	Add up the CPU, memory, and I/O requirements for all of your applications. Add to this sum any special requirements, such as user requirements and peripheral devices.
4	When you have determined your total application requirements, be sure that your CPU, memory, and I/O resources exceed these requirements by 20%.

### 2.2.1 Adding Memory

Systems require approximately 5% more memory to run in an OpenVMS Cluster than to run standalone. This additional memory is used to support the shared cluster resource base, which is larger than in a standalone configuration.

With added memory, a node in an OpenVMS Cluster generally can support the same number of users or applications that it supported as a standalone system. As a cluster configuration grows, the amount of memory used for system work by each node may increase. Because the per-node increase depends on both the level of data sharing in the cluster and the distribution of resource management, that increase does not follow fixed rules. If the node is a resource manager for a heavily used resource, additional memory may increase performance for cluster users of that resource.

**Reference:** For more information about using additional memory to improve performance, refer to the *OpenVMS Performance Management* manual.

## Determining Business and Application Requirements

### 2.2 Determining Application Requirements

#### 2.2.2 Balancing Processor, Memory, and I/O Resources

Application performance depends on adequate processor, memory, and I/O resources. Depending on your applications, one of these resources may be more important than the others. Consider your application requirements, and find a balance among these three resources that meets your requirements. Table 2–3 provides some guidelines on the resource requirements of different application types.

**Table 2–3 Resource Requirements of Application Types**

Application Type	Example	Requirement
General timesharing	Program development, document preparation, office automation	Processor and I/O intensive
Searching and updating a database and displaying reports	Transaction processing, funds transfer, online order entry or reservation systems	I/O and memory intensive
Simulation, modeling, or calculation	Computer-aided design and manufacturing, image processing, graphics applications	Processor and memory intensive

#### 2.2.3 System Management Tools and Utilities

The OpenVMS operating system supports a number of utilities and tools that help you determine your business and application requirements in OpenVMS Cluster configurations. Table 2–4 describes many of these products. All are supplied with the OpenVMS operating system except for Disaster Tolerant Cluster Services (DTCS), which are customized for each environment. You can learn more about DTCS from your HP service representative and from the DTCS web site:

<http://h71000.www7.hp.com/availability/>

**Table 2–4 System Management Tools from HP**

Tool	Function
Accounting utility	Tracks how resources are being used.
AUTOGEN command procedure	Optimizes system parameter settings based on usage.
Availability Manager	HP Availability Manager is a system management tool that enables one or more OpenVMS Alpha or VAX nodes to be monitored on an extended local area network (LAN) from an OpenVMS Alpha or a Windows 2000 or XP node. This tool helps system managers and analysts target a specific node or process for detailed analysis. The analysis detects resource availability problems and suggests corrective actions. The data analyzer does not run on OpenVMS VAX which does not support Java.
HP Insight Management Agents for OpenVMS	Enables you to look at devices on your OpenVMS systems. With the installation of Insight Manager on a Microsoft Windows server, you can manage all your platforms from a single Windows server.
HP WBEM Solutions for OpenVMS	WBEM (Web-Based Enterprise Management) enables management applications to retrieve system information and request system operations wherever and whenever required. It allows customers to manage their systems consistently across multiple platforms and operating systems, providing integrated solutions that optimize your infrastructure for greater operational efficiency.

(continued on next page)



## Determining Business and Application Requirements

### 2.2 Determining Application Requirements

**Table 2–4 (Cont.) System Management Tools from HP**

Tool	Function
DECcmds (Digital Availability Manager for Distributed Systems)	Functionally similar to Availability Manager. Runs on OpenVMS VAX and OpenVMS Alpha.
Disaster Tolerant Cluster Services (DTCS)	Tools and customized services for configuring and managing disaster-tolerant clusters that span different geographic sites.
Graphical Configuration Manager (GCM)	A portable client/server application that gives you a way to view and control the configuration of partitioned AlphaServer systems running OpenVMS.
Galaxy Configuration Utility (GCU)	A DECwindows Motif application that allows system managers to configure and manage an OpenVMS Galaxy system from a single workstation window.
Monitor utility	Provides basic performance data.
OpenVMS Data Collector and Performance Analyzer (ECP Data Collector and ECP Performance Analyzer)	The rights to use these ECP products are provided at no additional costs. The ECP Data Collector provides performance-data collection, archiving, reporting, and file display. The ECP Performance Analyzer assists in performance analysis and capacity planning of OpenVMS Cluster systems by identifying bottlenecks and recommending ways to fix problems. An API is provided within the Data Collector to gain direct access to the data it collects.
Performance Data Collector for OpenVMS (TDC V2)	Used to gather performance data for an AlphaServer system running OpenVMS Version 7.3-2, or later. By default, TDC periodically collects and stores data in a file. Subsequently, user applications can retrieve data from the file.
Show Cluster utility	Monitors activity and performance in a OpenVMS Cluster configuration.
OpenVMS Management Station	Enables system managers to configure and manage user accounts, print queues, and storage across multiple OpenVMS Clusters and OpenVMS nodes. OpenVMS Management Station is a Microsoft® Windows®, and Windows® NT based management tool.
Systems Communications Architecture Control Program (SCACP)	Designed to monitor and manage LAN cluster communications.
HP Web-Based Enterprise Services (WEBES)	WEBES includes the System Event Analyzer (SEA) (formerly named Compaq Analyze), Computer Crash Analysis Tool (CCAT), DECEvent, and the Revision and Configuration Management (RCM) tools. WEBES/SEA is the supported error log analysis tool for all AlphaServer DS, ES, and GS systems running OpenVMS, except for the AlphaServer GS60 and GS140. They must continue to use DECEvent.

For more information about Availability Manager, HP Insight Management Agents for OpenVMS, Performance Data Collector for OpenVMS (TDC V2), and the OpenVMS Management Station, see the following web site:

[http://h71000.www7.hp.com/openvms/system\\_management.html](http://h71000.www7.hp.com/openvms/system_management.html)

For more information about the Accounting utility, the AUTOGEN command procedure, the Monitor utility, the Show Cluster utility, and the System Communications Architecture Control Program (SCACP), refer to the *HP OpenVMS System Management Utilities Reference Manual*.

For more information about the Graphical Configuration Manager (GCM) and the Galaxy Configuration Utility (GCU), refer to the *HP OpenVMS Alpha Partitioning and Galaxy Guide*.

## Determining Business and Application Requirements

### 2.2 Determining Application Requirements

#### 2.2.4 System Management Tools from OpenVMS Partners

OpenVMS Partners offer a wide selection of tools to meet diverse system management needs, as shown in Table 2–5. The types of tools are described in the following list:

- **Enterprise management**  
Enables monitoring and management of a heterogeneous environment.
- **Schedule managers**  
Enable specific actions to be triggered at determined times, including repetitive and periodic activities, such as nightly backups.
- **Event managers**  
Monitor a system and report occurrences and events that may require an action or that may indicate a critical or alarming situation, such as low memory or an attempted security breakin.
- **Console managers**  
Enable a remote connection to and emulation of a system console so that system messages can be displayed and commands can be issued.
- **Performance managers**  
Monitor system performance by collecting and analyzing data to allow proper tailoring and configuration of system resources. Performance managers may also collect historical data for capacity planning.

**Table 2–5 System Management Products from OpenVMS Partners**

<b>Business Partner</b>	<b>Application</b>	<b>Type or Function</b>
Appmind	HP OpenVMS System Management Agent	Enterprise management
BMC	Patrol Perform & Predict Patrol for OpenVMS Control "M"	Performance manager Event manager Scheduling manager
Computer Associates	Unicenter Performance Management for OpenVMS	Performance manager
	Unicenter Console Management for OpenVMS	Console manager
	Unicenter Job Management for OpenVMS	Schedule manager
	Unicenter System Watchdog for OpenVMS	Event manager
	Unicenter TNG	Package of various products
Heroix/Itheon	RoboMon	Event manager
	RoboCentral	Console manager
ISE	Schedule	Schedule manager

(continued on next page)

## Determining Business and Application Requirements

### 2.2 Determining Application Requirements

**Table 2–5 (Cont.) System Management Products from OpenVMS Partners**

Business Partner	Application	Type or Function
LEGATO	NetWorker	Backup solution
MVP System, Inc.	JAMS	Schedule manager
PointSecure	System Detective AO/AS	OpenVMS security
RAXCO	Perfect Cache	Storage performance
	Perfect Disk	Storage management
TECsys Development Inc.	ConsoleWorks	Console manager

For current information about OpenVMS Partners and the tools they provide, access the OpenVMS web site:

<http://www.hp.com/go/openvms>

#### 2.2.5 Other Configuration Aids

In addition to these utilities and partner products, several commands are available that allow the system manager to set parameters on HSC, HSJ, HSD, HSZ, HSG, and RF subsystems to help configure the system. See the appropriate hardware documentation for more information.



---

## Choosing OpenVMS Cluster Systems

This chapter provides information to help you select systems for your OpenVMS Cluster to satisfy your business and application requirements.

### 3.1 Alpha, VAX, and HP Integrity Systems

An OpenVMS Cluster can include systems running OpenVMS Alpha or OpenVMS VAX or OpenVMS I64 or a combination of the following two:

- OpenVMS Alpha and OpenVMS VAX
- OpenVMS Alpha and OpenVMS I64

HP provides a full range of systems for the Alpha and VAX architectures. HP supports OpenVMS I64 on several HP Integrity server system models and will be qualified on additional models in the future.

- OpenVMS Alpha operating system  
Based on a 64-bit RISC (reduced instruction set computing) architecture, OpenVMS Alpha provides industry-leading price/performance benefits with standard I/O subsystems for flexibility and expansion.
- OpenVMS VAX operating system  
Based on a 32-bit CISC (complex instruction set computing) architecture, OpenVMS VAX provides high CISC performance and a rich, powerful instruction set. OpenVMS VAX also supports a wide variety of standard I/O subsystems.
- HP OpenVMS I64 operating system  
Based on the Intel® Itanium® architecture, OpenVMS I64 provides the price/performance, reliability, and scalability benefits of OpenVMS on the industry-standard HP Integrity server systems.

### 3.2 Types of Systems

Alpha, VAX, and HP Integrity systems span a range of computing environments, including:

- Workstations
- Low-end systems
- Midrange systems
- Enterprise systems

## Choosing OpenVMS Cluster Systems

### 3.3 Choosing Systems

### 3.3 Choosing Systems

Your choice of systems depends on your business, your application needs, and your budget. With a high-level understanding of systems and their characteristics, you can make better choices.

Table 3–1 is a comparison of recently shipped OpenVMS Cluster systems. While a cluster can provide services to Windows and MS-DOS laptop and personal computers, this topic is not discussed extensively in this manual. For more information about configuring a cluster to serve PCs and laptops, consult your HP representative.

**Table 3–1 System Types**

System Type	Useful for	Examples
Workstations	Users who require their own systems with high processor performance. Examples include users running mechanical computer-aided design, scientific analysis, and data-reduction and display applications. Workstations offer the following features: <ul style="list-style-type: none"><li>• Lower cost than midrange and enterprise systems</li><li>• Small footprint</li><li>• Useful for modeling and imaging</li><li>• 2D and 3D graphics capabilities</li></ul>	AlphaStation DS10/XP900 AlphaStation DS20E AlphaStation DS25 AlphaStation ES40
Low end systems	Low end systems offer the following capabilities: <ul style="list-style-type: none"><li>• High processor and I/O performance</li><li>• Supports a moderate number of users and client PCs</li><li>• Expandability and flexibility</li></ul>	AlphaServer DS10 AlphaServer DS10L AlphaServer DS20E AlphaServer DS25 HP Integrity rx1600-2 server HP Integrity rx2600-2 server HP Integrity rx4640-8 server
Midrange systems	Midrange office computing. Midrange systems offer the following capabilities: <ul style="list-style-type: none"><li>• High processor and I/O performance</li><li>• Supports a moderate number of users, client PCs, and workstations</li></ul>	AlphaServer ES40 AlphaServer ES45 AlphaServer ES47 AlphaServer ES80

(continued on next page)

Table 3–1 (Cont.) System Types

System Type	Useful for	Examples
Enterprise systems	<p>Large-capacity configurations and highly available technical and commercial applications. Enterprise systems have a high degree of expandability and flexibility and offer the following features:</p> <ul style="list-style-type: none"><li>• Highest CPU and I/O performance</li><li>• Ability to support thousands of terminal users, hundreds of PC clients, and up to 95 workstations</li></ul>	<p>AlphaServer GS60, GS80 AlphaServer GS140 AlphaServer GS160, GS320 AlphaServer GS1280</p>

**Note**

The rx1600-2 and the rx2600-2 systems were formerly named the rx1600 and the rx2600. They are the same systems. The suffix “-2” indicates the maximum number of processors supported in the system.

### 3.4 Scalability Considerations

When you choose a system based on scalability, consider the following:

- Maximum processor capacity
- Maximum memory capacity
- Maximum storage capacity

The OpenVMS environment offers a wide range of alternative ways for growing and expanding processing capabilities of a data center, including the following:

- Many Alpha, VAX, and HP Integrity systems can be expanded to include additional memory, processors, or I/O subsystems.
- You can add systems to your OpenVMS Cluster at any time to support increased work load. The vast range of systems, from small workstation to high-end multiprocessor systems, can interconnect and be reconfigured easily to meet growing needs.
- You can add storage to your OpenVMS Cluster system by increasing the quantity and speed of disks, CD-ROM devices, and tapes.

**Reference:** For more information about storage devices, see Chapter 5.

**Reference:** For more information about scalability, see Chapter 10.

### 3.5 Availability Considerations

An OpenVMS Cluster system is a highly integrated environment in which multiple systems share access to resources. This resource sharing increases the availability of services and data. OpenVMS Cluster systems also offer failover mechanisms that are transparent and automatic, and require little intervention by the system manager or the user.

**Reference:** See Chapter 8 and Chapter 9 for more information about these failover mechanisms and about availability.

## Choosing OpenVMS Cluster Systems

### 3.6 Performance Considerations

### 3.6 Performance Considerations

The following factors affect the performance of systems:

- Applications and their performance requirements
- The number of users that the system must support
- The type of storage subsystem that you require

With these requirements in mind, compare the specifications for processor performance, I/O throughput, memory capacity, and disk capacity in the systems that interest you.

### 3.7 System Specifications

The HP web site provides ordering and configuring information for workstations and servers. It also contains detailed information about storage devices, printers, and network application support.

To access the HP web site, use the following URL:

<http://www.hp.com/>



---

## Choosing OpenVMS Cluster Interconnects

An interconnect is a physical path that connects computers to other computers, and to storage subsystems. OpenVMS Cluster systems support a variety of interconnects (also referred to as buses) so that members can communicate with each other and with storage, using the most appropriate and effective method available.

The software that enables OpenVMS Cluster systems to communicate over an interconnect is the System Communications Services (SCS). An interconnect that supports node-to-node SCS communications is called a **cluster interconnect**. An interconnect that provides node-to-storage connectivity within a cluster is called a **shared-storage interconnect**. Some interconnects, such as CI and DSSI, can serve as both cluster and storage interconnects.

OpenVMS supports the following types of interconnects:

- Cluster interconnects (node to node only)
  - Ethernet (Alpha, VAX, and I64)
  - Fast Ethernet and Gigabit Ethernet (Alpha and I64)
  - Asynchronous transfer mode (ATM) (Alpha only)
  - FDDI (Fiber Distributed Data Interface) (VAX and Alpha)
  - MEMORY CHANNEL (Alpha only)
  - Shared Memory CI (SMCI) (Galaxy instance to Galaxy instance) (Alpha only)
- Shared-storage interconnects (node to storage only)
  - Fibre Channel (Alpha only)
  - SCSI (Small Computer Systems Interface) (Alpha only and limited to older adapters)
- Both node-to-node and node-to-storage interconnects
  - CI (computer interconnect) (VAX and Alpha)
  - DSSI (Digital Storage Systems Interconnect) (VAX and Alpha)

---

### Note

---

SMCI is unique to OpenVMS Galaxy instances. For more information about SMCI and Galaxy configurations, refer to the *HP OpenVMS Alpha Partitioning and Galaxy Guide*.

---

# Choosing OpenVMS Cluster Interconnects

## 4.1 Characteristics

### 4.1 Characteristics

The interconnects described in this chapter share some general characteristics. Table 4–1 describes these characteristics.

**Table 4–1 Interconnect Characteristics**

Characteristic	Description
Throughput	The quantity of data transferred across the interconnect.  Some interconnects require more processor overhead than others. For example, Ethernet and FDDI interconnects require more processor overhead than do CI or DSSI.  Larger packet sizes allow higher data-transfer rates (throughput) than do smaller packet sizes.
Cable length	Interconnects range in length from 3 m to 40 km.
Maximum number of nodes	The number of nodes that can connect to an interconnect varies among interconnect types. Be sure to consider this when configuring your OpenVMS Cluster system.
Supported systems and storage	Each OpenVMS Cluster node and storage subsystem requires an adapter to connect the internal system bus to the interconnect. First consider the storage and processor I/O performance, then the adapter performance, when choosing an interconnect type.

### 4.2 Comparison of Interconnect Types

Table 4–2 shows key statistics for a variety of interconnects.

**Table 4–2 Comparison of Cluster Interconnect Types**

Interconnect	Maximum Throughput (Mb/s)	Hardware-Assisted Data Link <sup>1</sup>	Storage Connection	Topology	Maximum Nodes per Cluster	Maximum Length
<b>General-purpose</b>						
ATM	155/622	No	MSCP served	Radial to a switch	96 <sup>2</sup>	2 km <sup>3</sup> /300 m <sup>3</sup>
Ethernet/ Fast/ Gigabit	10/100/1000	No	MSCP served	Linear or radial to a hub or switch	96 <sup>2</sup>	100 m <sup>4</sup> / 100 m <sup>4</sup> / 550 m <sup>3</sup>
FDDI	100	No	MSCP served	Dual ring to a tree, radial to a hub or switch	96 <sup>2</sup>	40 km <sup>5</sup>
CI	140	Yes	Direct and MSCP served	Radial to a hub	32 <sup>6</sup>	45 m

<sup>1</sup>Hardware-assisted data link reduces the processor overhead.

<sup>2</sup>OpenVMS Cluster computers.

<sup>3</sup>Based on multimode fiber (MMF). Longer distances can be achieved by bridging between this interconnect and WAN interswitch links using common carriers such as ATM, DS3, and so on.

<sup>4</sup>Based on unshielded twisted-pair wiring (UTP). Longer distances can be achieved by bridging between this interconnect and WAN interswitch links (ISLs), using common carriers such as ATM, DS3, and so on.

<sup>5</sup>Based on single-mode fiber, point-to-point link. Longer distances can be achieved by bridging between FDDI and WAN interswitch links (ISLs) using common carriers such as ATM, DS3, and so on.

<sup>6</sup>Up to 16 OpenVMS Cluster computers; up to 31 HSJ controllers.

(continued on next page)

## Choosing OpenVMS Cluster Interconnects

### 4.2 Comparison of Interconnect Types

**Table 4–2 (Cont.) Comparison of Cluster Interconnect Types**

Interconnect	Maximum Throughput (Mb/s)	Hardware-Assisted Data Link <sup>1</sup>	Storage Connection	Topology	Maximum Nodes per Cluster	Maximum Length
<b>General-purpose</b>						
DSSI	32	Yes	Direct and MSCP served	Bus	8 <sup>7</sup>	6 m <sup>8</sup>
<b>Shared-storage only</b>						
Fibre Channel	1000	No	Direct <sup>9</sup>	Radial to a switch	96 <sup>2</sup>	10 km <sup>10</sup> /100 km <sup>11</sup>
SCSI	160	No	Direct <sup>9</sup>	Bus or radial to a hub	8-16 <sup>12</sup>	25 m
<b>Node-to-node (SCS traffic only)</b>						
MEMORY CHANNEL	800	No	MSCP served	Radial	4	3 m

<sup>1</sup>Hardware-assisted data link reduces the processor overhead.  
<sup>2</sup>OpenVMS Cluster computers.  
<sup>7</sup>Up to 4 OpenVMS Cluster computers; up to 7 storage devices.  
<sup>8</sup>DSSI cabling lengths vary based on cabinet cables.  
<sup>9</sup>Direct-attached SCSI and Fibre Channel storage can be MSCP served over any of the general-purpose cluster interconnects.  
<sup>10</sup>Based on single-mode fiber, point-to-point link.  
<sup>11</sup>Support for longer distances (up to 100 km) based on inter-switch links (ISLs) using single-mode fiber. In addition, DRM configurations provide longer distance ISLs using the Open Systems Gateway and Wave Division Multiplexors.  
<sup>12</sup>Up to 3 OpenVMS Cluster computers, up to 4 with the DWZZH-05 and fair arbitration; up to 15 storage devices.

### 4.3 Multiple Interconnects

You can use multiple interconnects to achieve the following benefits:

- Failover

If one interconnect or adapter fails, the node communications automatically move to another interconnect.

- MSCP server load balancing

In a multiple MSCP server configuration, an OpenVMS Cluster performs load balancing to automatically choose the best path. This reduces the chances that a single adapter could cause an I/O bottleneck. Depending on your configuration, multiple paths from one node to another node may transfer more information than would a single path.

**Reference:** See Section 10.7.3 for an example of dynamic MSCP load balancing.

## Choosing OpenVMS Cluster Interconnects

### 4.4 Mixed Interconnects

#### 4.4 Mixed Interconnects

You can use two or more different types of interconnects in an OpenVMS Cluster system. You can use different types of interconnects to combine the advantages of each type and to expand your OpenVMS Cluster system. For example, an Ethernet cluster that requires more storage can expand with the addition of Fibre Channel, SCSI, or CI connections.

#### 4.5 Interconnects Supported by Alpha, VAX, and HP Integrity Systems

Table 4–3 shows the OpenVMS Cluster interconnects supported by Alpha, VAX, and HP Integrity systems.

You can also refer to the most recent OpenVMS Cluster SPD to see the latest information on supported interconnects.

**Table 4–3 System Support for Cluster (Including Shared Storage) Interconnects**

Systems	CI	DSSI	FDDI	Ethernet	ATM	MEMORY CHANNEL	SCSI	Fibre Channel
AlphaServer ES47, ES80, GS1280	X		X	X	X	X	X	X
AlphaServer GS160, GS320	X		X	X	X	X	X	X
AlphaServer GS60, GS80, GS140	X		X <sup>1</sup>	X	X	X	X	X
AlphaServer ES40	X	X	X	X	X	X	X	X
AlphaServer ES45	X		X	X	X	X	X	X
AlphaServer DS25, DS20E, DS10L, DS10	X <sup>2</sup>		X	X	X	X	X	X
AlphaStation ES40	X	X	X	X	X	X <sup>3</sup>	X	
AlphaStation DS25, DS20E	X <sup>2</sup>		X	X	X		X	
AlphaStation DS10/XP900		X	X	X	X		X	
AlphaStation XP1000			X	X	X		X	
AlphaServer 8400, 8200	X	X	X	X <sup>1</sup>	X	X	X	X
AlphaServer 4100, 2100, 2000	X	X	X <sup>1</sup>	X <sup>1</sup>	X	X	X	X <sup>4</sup>
AlphaServer 1000A		X	X	X	X <sup>1</sup>	X	X	X <sup>5</sup>
AlphaServer 400		X	X	X <sup>1</sup>			X	
DEC 7000/10000	X	X	X <sup>1</sup>	X				
DEC 4000		X	X	X <sup>1</sup>				
DEC 3000			X <sup>1</sup>	X <sup>1</sup>			X	
DEC 2000			X	X <sup>1</sup>				
HP Integrity rx1600-2 server				X				

<sup>1</sup>Able to boot over the interconnect as a satellite node.

<sup>2</sup>Support not available for AlphaServer DS25 or AlphaStation DS25.

<sup>3</sup>Support for MEMORY CHANNEL Version 2.0 hardware only.

<sup>4</sup>Support on AlphaServer 4100 only.

<sup>5</sup>Console support not available.

(continued on next page)

## Choosing OpenVMS Cluster Interconnects

### 4.5 Interconnects Supported by Alpha, VAX, and HP Integrity Systems

**Table 4–3 (Cont.) System Support for Cluster (Including Shared Storage) Interconnects**

Systems	CI	DSSI	FDDI	Ethernet	ATM	MEMORY CHANNEL	SCSI	Fibre Channel
HP Integrity rx2600-2 server				X				
HP Integrity rx4640-8 server				X				
VAX 6000/7000/10000	X	X	X	X				
VAX 4000, MicroVAX 3100		X	X	X <sup>1</sup>				
VAXstation 4000			X	X <sup>1</sup>				

<sup>1</sup>Able to boot over the interconnect as a satellite node.

As Table 4–3 shows, OpenVMS Clusters support a wide range of interconnects. The most important factor to consider is how much I/O you need, as explained in Chapter 2.

In most cases, the I/O requirements will be less than the capabilities of any one OpenVMS Cluster interconnect. Ensure that you have a reasonable surplus I/O capacity, then choose your interconnects based on other needed features.

**Reference:** For detailed information about the interconnects and adapters supported on each AlphaServer system, go to the OpenVMS web page at:

<http://www.hp.com/go/openvms>

Select AlphaSystems (from the left navigation panel under related links). Then select the AlphaServer system of interest and its QuickSpecs. The QuickSpecs for each AlphaServer system briefly describe all options, including the adapters, supported on that system.

## 4.6 Fibre Channel Interconnect (Alpha Only)

Fibre Channel is a high-performance ANSI standard network and storage interconnect for PCI-based Alpha systems. It is a full-duplex serial interconnect and can simultaneously transmit and receive 100 megabytes per second. Fibre Channel supports simultaneous access of SCSI storage by multiple nodes connected to a Fibre Channel switch. A second type of interconnect is needed for node-to-node communications.

For multihost access to Fibre Channel storage, the following components are required:

- Fibre Channel host adapter (KGPSA-BC, KGPSA-CA)
- Multimode fiber-optic cable (BNGBX-*nn*), where *nn* represents distance in meters
- Fibre Channel switch (DSGGA, DSGGB)
- Storage devices that are supported in a multihost configuration (HSG60, HSG80, HSV, Modular Data Router [MDR])

## Choosing OpenVMS Cluster Interconnects

### 4.6 Fibre Channel Interconnect (Alpha Only)

#### 4.6.1 Advantages

The Fibre Channel interconnect offers the following advantages:

- High-speed transmission, 2 Gb/s
- Scalable configuration to support department to enterprise configurations.
- Long-distance interconnects

Fibre Channel supports multimode fiber at 500 meters per link. Fibre Channel supports longer-distance interswitch links (ISLs) — up to 100 kilometers per link, using single-mode fiber and up to 600 kilometers per link with FC/ATM links.

In addition, SANworks Data Replication Manager (DRM) configurations provide long distance ISLs through the use of the Open Systems Gateway and Wave Division Multiplexors.

- High availability

Multipath support is available to provide configurations with no single point of failure.

#### 4.6.2 Throughput

The Fibre Channel interconnect transmits up to 2 Gb/s. It is a full-duplex serial interconnect that can simultaneously transmit and receive 100 MB/s.

#### 4.6.3 Supported Adapter

The Fibre Channel adapter, the KGPSA, connects to the PCI bus.

**Reference:** For information about the Fibre Channel adapters supported on each AlphaServer system, go to the OpenVMS web page at:

<http://www.hp.com/go/openvms>

Select AlphaSystems (from the left navigation panel under related links). Then select the AlphaServer system of interest and its QuickSpecs. The QuickSpecs for each AlphaServer system briefly describe all options, including the adapters, supported on that system.

## 4.7 MEMORY CHANNEL Interconnect (Alpha Only)

MEMORY CHANNEL is a high-performance cluster interconnect technology for PCI-based Alpha systems. With the benefits of very low latency, high bandwidth, and direct memory access, MEMORY CHANNEL complements and extends the unique ability of OpenVMS Clusters to work as a single, virtual system.

Three hardware components are required by a node to support a MEMORY CHANNEL connection:

- A PCI-to-MEMORY CHANNEL adapter
- A link cable (3 m or 10 feet long)
- A port in a MEMORY CHANNEL hub (except for a two-node configuration in which the cable connects just two PCI adapters)

A MEMORY CHANNEL hub is a PC size unit that provides a connection among systems. MEMORY CHANNEL can support up to four Alpha nodes per hub. You can configure systems with two MEMORY CHANNEL adapters in order to provide failover in case an adapter fails. Each adapter must be connected to a different hub.

## Choosing OpenVMS Cluster Interconnects

### 4.7 MEMORY CHANNEL Interconnect (Alpha Only)

A MEMORY CHANNEL hub is not required in clusters that comprise only two nodes. In a two-node configuration, one PCI adapter is configured, using module jumpers, as a virtual hub.

#### 4.7.1 Advantages

MEMORY CHANNEL technology provides the following features:

- Offers excellent price/performance.

With several times the CI bandwidth, MEMORY CHANNEL provides a 100 MB/s interconnect with minimal latency. MEMORY CHANNEL architecture is designed for the industry-standard PCI bus.

- Requires no change to existing applications.

MEMORY CHANNEL works seamlessly with existing cluster software, so that no change is necessary for existing applications. The new MEMORY CHANNEL drivers, PMDRIVER and MCDRIVER, integrate with the System Communications Services layer of OpenVMS Clusters in the same way that existing port drivers do. Higher layers of cluster software are unaffected.

- Offloads CI, DSSI, and the LAN in SCSI clusters.

You cannot connect storage directly to MEMORY CHANNEL, but you can use it to make maximum use of each interconnect's strength.

While MEMORY CHANNEL is not a replacement for CI and DSSI, when used in combination with those interconnects, it offloads their node-to-node traffic. This enables them to be dedicated to storage traffic, optimizing communications in the entire cluster.

When used in a cluster with SCSI and LAN interconnects, MEMORY CHANNEL offloads node-to-node traffic from the LAN, enabling it to handle more TCP/IP or DECnet traffic.

- Provides fail-separately behavior.

When a system failure occurs, MEMORY CHANNEL nodes behave like any failed node in an OpenVMS Cluster. The rest of the cluster continues to perform until the failed node can rejoin the cluster.

#### 4.7.2 Throughput

The MEMORY CHANNEL interconnect has a very high maximum throughput of 100 MB/s. If a single MEMORY CHANNEL is not sufficient, up to two interconnects (and two MEMORY CHANNEL hubs) can share throughput.

#### 4.7.3 Supported Adapter

The MEMORY CHANNEL adapter connects to the PCI bus. The MEMORY CHANNEL adapter, CCMAA-BA, provides improved performance over the earlier adapter.

**Reference:** For information about the CCMAA-BA adapter support on AlphaServer systems, go to the OpenVMS web page at:

<http://www.hp.com/go/openvms>

Select AlphaSystems (from the left navigation panel under related links). Next, select the AlphaServer system of interest and then its QuickSpecs. The QuickSpecs for each AlphaServer system briefly describe all options, including the adapters, supported on that system.



## Choosing OpenVMS Cluster Interconnects

### 4.8 SCSI Interconnect (Alpha Only)

#### 4.8 SCSI Interconnect (Alpha Only)

The SCSI interconnect is an industry standard interconnect that supports one or more computers, peripheral devices, and interconnecting components. SCSI is a single-path, daisy-chained, multidrop bus. It is a single 8-bit or 16-bit data path with byte parity for error detection. Both inexpensive single-ended and differential signaling for longer distances are available.

In an OpenVMS Cluster, multiple Alpha computers on a single SCSI interconnect can simultaneously access SCSI disks. This type of configuration is called multihost SCSI connectivity. A second type of interconnect is required for node-to-node communication. For multihost access to SCSI storage, the following components are required:

- SCSI host adapter that is supported in a multihost configuration (see Table 4–6)
- SCSI interconnect
- Terminators, one for each end of the SCSI interconnect
- Storage devices that are supported in a multihost configuration (RZnn; refer to the OpenVMS Cluster SPD [29.78.nn])

For larger configurations, the following components are available:

- Storage controllers (HSZnn)
- Bus isolators (DWZZA, DWZZB, or DWZZC) to convert single-ended to differential signaling and to effectively double the SCSI interconnect length

---

#### Note

---

This support is restricted to Alpha systems and further restricted to certain adapters. OpenVMS does *not* provide this support for the newest SCSI adapters, including the Ultra SCSI adapters KZPEA, KZPDC, A6828A, A6829A, and A7173A.

---

**Reference:** For a detailed description of how to connect SCSI configurations, see Appendix A.

#### 4.8.1 Advantages

The SCSI interconnect offers the following advantages:

- Lowest cost, shared direct access to storage  
Because SCSI is an industry standard and is used extensively throughout the industry, it is available from many manufacturers at competitive prices.
- Scalable configuration to achieve high performance at a moderate price  
You can choose:
  - Width of SCSI interconnect  
Narrow (8 bits) or wide (16 bits).
  - Transmission mode  
Single-ended signaling, the most common and least expensive, or differential signaling, which provides higher signal integrity and allows a longer SCSI interconnect.



## Choosing OpenVMS Cluster Interconnects

### 4.8 SCSI Interconnect (Alpha Only)

- Signal speed (standard, fast, or ultra mode)
- Number of nodes sharing the SCSI bus (two or three)
- Number of shared SCSI buses to which a node can connect (maximum of six)
- Storage type and size (RZnn or HSZnn)
- Computer type and size (AlphaStation or AlphaServer)

#### 4.8.2 Throughput

Table 4–4 show throughput for the SCSI interconnect.

**Table 4–4 Maximum Data Transfer Rates in Megabytes per Second**

Mode	Narrow (8-Bit)	Wide (16-Bit)
Standard	5	10
Fast	10	20
Ultra	20	40

#### 4.8.3 SCSI Interconnect Distances

The maximum length of the SCSI interconnect is determined by the signaling method used in the configuration and, for single-ended signaling, by the data transfer rate.

There are two types of electrical signaling for SCSI interconnects: single ended and differential. Both types can operate in standard mode, fast mode, or ultra mode. For differential signaling, the maximum SCSI cable length possible is the same for standard mode and fast mode.

Table 4–5 summarizes how the type of signaling method affects SCSI interconnect distances.

**Table 4–5 Maximum SCSI Interconnect Distances**

Signaling Technique	Rate of Data Transfer	Maximum Cable Length
Single ended	Standard	6 m <sup>1</sup>
Single ended	Fast	3 m
Single ended	Ultra	20.5 m <sup>2</sup>
Differential	Standard or Fast	25 m
Differential	Ultra	25.5 m <sup>3</sup>

<sup>1</sup>The SCSI standard specifies a maximum length of 6 m for this interconnect. However, it is advisable, where possible, to limit the cable length to 4 m to ensure the highest level of data integrity.

<sup>2</sup>This length is attainable if devices are attached only at each end. If devices are spaced along the interconnect, they must be at least 1 m apart, and the interconnect cannot exceed 4 m.

<sup>3</sup>More than two devices can be supported.

## Choosing OpenVMS Cluster Interconnects

### 4.8 SCSI Interconnect (Alpha Only)

#### 4.8.4 Supported Adapters, Bus Types, and Computers

Table 4–6 shows SCSI adapters with the internal buses and computers they support.

**Table 4–6 SCSI Adapters**

Adapter	Internal Bus	Supported Computers
Embedded (NCR-810 based)/KZPAA <sup>1</sup>	PCI	See the options specifications for your system.
KZPSA <sup>2</sup>	PCI	Supported on all Alpha computers that support KZPSA in single-host configurations. <sup>3</sup>
KZTSA <sup>2</sup>	TURBOchannel	DEC 3000
KZPBA-CB <sup>4</sup>	PCI	Supported on all Alpha computers that support KZPBA in single-host configurations. <sup>3</sup>

<sup>1</sup>Single-ended.

<sup>2</sup>Fast-wide differential (FWD).

<sup>3</sup>See the system-specific hardware manual.

<sup>4</sup>Ultra differential. The ultra single-ended adapter (KZPBA-CA) does not support multihost systems.

**Reference:** For information about the SCSI adapters supported on each AlphaServer system, go to the OpenVMS web page at:

<http://www.hp.com/go/openvms>

Select AlphaSystems (from the left navigation panel under related links). Next, choose the AlphaServer system of interest and then its QuickSpecs. The QuickSpecs for each AlphaServer system briefly describe all options, including the adapters, supported on that system.

### 4.9 CI Interconnect (Alpha and VAX Only)

The CI interconnect is a radial bus through which OpenVMS Cluster systems communicate. It comprises the following components:

- CI host adapter.
- Star coupler—A passive device that serves as a common connection point for signals between OpenVMS nodes and HSC or HSJ controllers that are connected by the CI.
- Optional star coupler expander (CISCE)—Consists of two amplifiers, one for each of its two paths.
- CI cable.

#### 4.9.1 Advantages

The CI interconnect offers the following advantages:

- High speed  
Suitable for larger processors and I/O-intensive applications.
- Efficient access to large amounts of storage  
HSC and HSJ controllers can connect large numbers of disk and tape drives to the OpenVMS Cluster system, with direct access from all OpenVMS nodes on the CI.
- Minimal CPU overhead for communication  
CI adapters are intelligent interfaces that perform much of the work required for communication among OpenVMS nodes and storage. The CI topology allows all nodes attached to a CI bus to communicate directly with the HSC and HSJ controllers on the same CI bus.
- High availability through redundant, independent data paths  
Each CI adapter is connected with two pairs of CI cables. If a single CI cable connection fails, failover automatically occurs.
- Multiple access paths to disks and tapes  
Dual HSC and HSJ controllers and dual-ported devices create alternative paths to storage devices.

#### 4.9.2 Throughput

The CI interconnect has a high maximum throughput. CI adapters use high-performance microprocessors that perform many of the processing activities usually performed by the CPU. As a result, they consume minimal CPU processing power.

Because the effective throughput of the CI bus is high, a single CI interconnect is not likely to be a bottleneck in a large OpenVMS Cluster configuration. If a single CI is not sufficient, multiple CI interconnects can increase throughput.

#### 4.9.3 Supported Adapters and Bus Types

The following are CI adapters and internal buses that each supports:

- CIPCA (PCI/EISA)
- CIXCD (XMI)
- CIBCA-B (VAXBI)

**Reference:** For detailed information about the proprietary CI adapters supported on each AlphaServer system, go to the OpenVMS web page at:

<http://www.hp.com/go/openvms>

Select AlphaSystems (from the left navigation panel under related links). Next, select the AlphaServer system of interest and then its QuickSpecs. The QuickSpecs for each AlphaServer system briefly describe all options, including the adapters, supported on that system.

## Choosing OpenVMS Cluster Interconnects

### 4.9 CI Interconnect (Alpha and VAX Only)

#### 4.9.4 Multiple CI Adapters

You can configure multiple CI adapters on some OpenVMS nodes. Multiple star couplers can be used in the same OpenVMS Cluster.

With multiple CI adapters on a node, adapters can share the traffic load. This reduces I/O bottlenecks and increases the total system I/O throughput.

For the maximum number of CI adapters supported on your system, check the options list for your system in your hardware manual or on the AlphaServer web pages.

#### 4.9.5 Configuration Guidelines for CI Clusters

Use the following guidelines when configuring systems in a CI cluster:

- The maximum number of nodes that you can connect to a star coupler is 32. Up to 16 of these nodes can be OpenVMS systems, and the remainder can be HSJ and HSC storage controllers.
- The number of star couplers is limited by the number of CI adapters configured on a system.
- Dual porting of devices between HSJ and HSC controllers is supported as long as they are connected to the same or separate star couplers. Dual porting of devices between HSJ and HSC controllers and local controllers is not supported.
- With the exception of the CIPCA and CIXCD, different types of CI adapters cannot be combined in the same system.
- You can use multiple CI adapters for redundancy and throughput. You can increase throughput by connecting additional CI adapters to separate star couplers; throughput does not increase substantially when you connect a second CI adapter to the same star coupler.

### 4.10 Digital Storage Systems Interconnect (DSSI) (Alpha and VAX Only)

DSSI is a single-path, daisy-chained, multidrop bus. It provides a single, 8-bit parallel data path with both byte parity and packet checksum for error detection.

#### 4.10.1 Advantages

DSSI offers the following advantages:

- High reliability
- Shared, direct access to storage at a lower cost than CI
- Direct communication between systems and storage
- High-performance, intelligent storage controllers with embedded caches

#### 4.10.2 Maintenance Consideration

DSSI storage often resides in the same cabinet as the CPUs. For these configurations, the whole system may need to be shut down for service, unlike configurations and interconnects with separately housed systems and storage devices.

## Choosing OpenVMS Cluster Interconnects

### 4.10 Digital Storage Systems Interconnect (DSSI) (Alpha and VAX Only)

#### 4.10.3 Throughput

The maximum throughput is 32 Mb/s.

DSSI has highly intelligent adapters that require minimal CPU processing overhead.

#### 4.10.4 DSSI Adapter Types

There are two types of DSSI adapters:

- Embedded adapter, which is part of the system.
- Optional adapter, which you can purchase separately and add to the system.

#### 4.10.5 Supported Adapters and Bus Types

The following are DSSI adapters and internal bus that each supports:

- KFESA (EISA)
- KFESB (EISA)
- KFPSA (PCI)
- KFMSA (XMI)—VAX only
- KFMSB (XMI)—Alpha only
- KFQSA (Q-bus)
- N710 (embedded)
- SHAC (embedded)
- EDA640 (embedded)

**Reference:** For detailed information about the Fibre Channel adapters supported on each AlphaServer system, go to the OpenVMS web page at:

<http://www.hp.com/go/openvms>

Select AlphaSystems (from the left navigation panel under related links). Next, select the AlphaServer system of interest and then its QuickSpecs. The QuickSpecs for each AlphaServer system briefly describe all options, including the adapters, supported on that system.

#### 4.10.6 DSSI-Connected Storage

DSSI configurations use HSD intelligent controllers to connect disk drives to an OpenVMS Cluster. HSD controllers serve the same purpose with DSSI as HSJ controllers serve with CI: they enable you to configure more storage.

Alternatively, DSSI configurations use integrated storage elements (ISEs) connected directly to the DSSI bus. Each ISE contains either a disk and disk controller or a tape and tape controller.

#### 4.10.7 Multiple DSSI Adapters

Multiple DSSI adapters are supported for some systems, enabling higher throughput than with a single DSSI bus.

For the maximum number of DSSI adapters supported on a system, check the options list for the system of interest on the AlphaServer web pages.

## Choosing OpenVMS Cluster Interconnects

### 4.10 Digital Storage Systems Interconnect (DSSI) (Alpha and VAX Only)

#### 4.10.8 Configuration Guidelines for DSSI Clusters

The following configuration guidelines apply to all DSSI clusters:

- Each DSSI interconnect can have up to eight nodes attached; four can be systems and the rest can be storage devices. Each of the following counts as a DSSI node:
  - DSSI adapter
  - Any member of the HSD $_{xx}$  family of DSSI and SCSI controllers
  - Any RF, TF, or EF integrated storage element (ISE)

In some cases, physical cabling and termination limitations may restrict the number of systems to two or three that may be connected to a DSSI interconnect. For example:

- Some variants of the DSSI adapter terminate the bus; for example, the N710. For this reason, only two DEC 4000 systems can be configured on a DSSI interconnect.
- The size of a DEC or VAX 10000 system generally limits the number of systems that can be connected to a DSSI interconnect.
- Each DSSI adapter in a single system must be connected to a different DSSI bus.
- Configure VAX 6000, VAX 7000, and VAX 10000 systems with KFMSA adapters.
- Configure DEC 7000 and DEC 10000 systems with KFMSB adapters.
- Configure PCI-based AlphaServer systems with KFPSA adapters. EISA adapters (KFESA/KFESB) adapters can also be configured on most AlphaServer systems, but use of KFPSA is recommended whenever possible.
- Dual porting of devices between HSD controllers is supported as long as they are connected to the same or separate DSSI interconnects. Dual porting of devices between HSD controllers and local controllers is not supported.
- All systems connected to the same DSSI bus must have a common power or ground.

#### 4.11 LAN Interconnects

Ethernet (including Fast Ethernet and Gigabit Ethernet), ATM, and FDDI are LAN-based interconnects. OpenVMS supports LAN emulation over ATM.

These interconnects provide the following features:

- Single-path connections within an OpenVMS Cluster system and a local area network (LAN)
- Support for multiple paths using multiple adapters
- Long-distance interconnect

In addition to the maximum length specific to each LAN type, as shown in Table 4–2, longer distances can be achieved by bridging between LANs and WAN interswitch links.

- Extended physical distribution of nodes
- Support for multiple clusters (up to 96 nodes each) on a single interconnect

## Choosing OpenVMS Cluster Interconnects

### 4.11 LAN Interconnects

The LANs that are supported as OpenVMS Cluster interconnects on each OpenVMS platform (Alpha, VAX, and I64) are shown in Table 4–7.

**Table 4–7 LAN Interconnect Support for OpenVMS Clusters**

LAN Type	Platform
Ethernet	VAX, Alpha, I64
Fast Ethernet	Alpha, I64
Gigabit Ethernet	Alpha, I64
FDDI	VAX, Alpha
ATM	Alpha

Following the discussion of multiple LAN adapters, information specific to each supported LAN interconnect (Ethernet, ATM, and FDDI) is provided.

#### 4.11.1 Multiple LAN Adapters

Multiple LAN adapters are supported. The adapters can be for different LAN types or for different adapter models for the same LAN type.

Multiple LAN adapters can be used to provide the following:

- Increased node-to-node throughput by distributing the load across multiple LAN paths.
- Increased availability of node-to-node LAN communications.

##### 4.11.1.1 Multiple LAN Path Load Distribution

When multiple node-to-node LAN paths are available, the OpenVMS Cluster software chooses the set of paths to use based on the following criteria, which are evaluated in strict precedence order:

1. Recent history of packet loss on the path

Paths that have recently been losing packets at a high rate are termed **lossy** and will be excluded from consideration. Channels that have an acceptable loss history are termed **tight** and will be further considered for use.

2. Priority

Management priority values can be assigned to both individual LAN paths and to local LAN devices. A LAN path's priority value is the sum of these priorities. Only tight LAN paths with a priority value equal to, or one less than, the highest priority value of any tight path will be further considered for use.

3. Maximum packet size

Tight, equivalent-priority channels whose maximum packet size is equivalent to that of the largest packet size of any tight equivalent-priority channel will be further considered for use.

4. Equivalent latency

LAN paths that meet the preceding criteria will be used if their latencies (computed network delay) are closely matched to that of the fastest such channel. The delay of each LAN path is measured using cluster communications traffic on that path. If a LAN path is excluded from cluster communications use because it does not meet the preceding criteria, its delay will be measured at intervals of a few seconds to determine if its delay, or



## Choosing OpenVMS Cluster Interconnects

### 4.11 LAN Interconnects

packet loss rate, has improved enough so that it then meets the preceding criteria.

Packet transmissions are distributed in round-robin fashion across all communication paths between local and remote adapters that meet the preceding criteria.

#### 4.11.1.2 Increased LAN Path Availability

Because LANs are ideal for spanning great distances, you may want to supplement an intersite link's throughput with high availability. You can do this by configuring critical nodes with multiple LAN adapters, each connected to a different intersite LAN link.

A common cause of intersite link failure is mechanical destruction of the intersite link. This can be avoided by path diversity, that is, physically separating the paths of the multiple intersite links. Path diversity helps to ensure that the configuration is unlikely to be affected by disasters affecting an intersite link.

#### 4.11.2 Configuration Guidelines for LAN-Based Clusters

The following guidelines apply to all LAN-based OpenVMS Cluster systems:

- OpenVMS Alpha, OpenVMS VAX, and OpenVMS I64 systems can be configured with any mix of LAN adapters supported on those architectures, as shown in Table 4-7.
- All LAN paths used for OpenVMS Cluster communication must operate with a minimum of 10 Mb/s throughput and low latency. You must use translating bridges or switches when connecting nodes on one type of LAN to nodes on another LAN type. LAN segments can be bridged to form an extended LAN.
- Multiple, distinct OpenVMS Cluster systems can be configured onto a single, extended LAN. OpenVMS Cluster software performs cluster membership validation to ensure that systems join the correct LAN OpenVMS cluster.

#### 4.11.3 Ethernet (10/100) and Gigabit Ethernet Advantages

The Ethernet (10/100) interconnect is typically the lowest cost of all OpenVMS Cluster interconnects.

Gigabit Ethernet interconnects offer the following advantages in addition to the advantages listed in Section 4.11:

- Very high throughput (1 Gb/s)
- Support of jumbo frames (7552 bytes per frame) for cluster communications

#### 4.11.4 Ethernet (10/100) and Gigabit Ethernet Throughput

The Ethernet technology offers a range of baseband transmission speeds:

- 10 Mb/s for standard Ethernet
- 100 Mb/s for Fast Ethernet
- 1 Gb/s for Gigabit Ethernet

Ethernet adapters do not provide hardware assistance, so processor overhead is higher than for CI or DSSI.



Consider the capacity of the total network design when you configure an OpenVMS Cluster system with many Ethernet-connected nodes or when the Ethernet also supports a large number of PCs or printers. General network traffic on an Ethernet can reduce the throughput available for OpenVMS Cluster communication. Fast Ethernet and Gigabit Ethernet can significantly improve throughput. Multiple Ethernet adapters can be used to improve cluster performance by offloading general network traffic.

**Reference:** For LAN configuration guidelines, see Section 4.11.2.

#### 4.11.5 Ethernet Adapters and Buses

The following Ethernet adapters and their internal buses are supported in an OpenVMS Cluster configuration:

- DEFTA-*xx* (TURBOchannel)
- DE2*xx* (ISA)
- DE425 (EISA)
- DE435 (PCI)
- TULIP (PCI)
- KZPSM (PCI)
- DE450 (PCI)
- DE500-*xx* (PCI)
- DE600-*xx* (PCI)
- DE602-*xx* (PCI)
- DEGPA-*xx* (PCI)
- DEGXA (PCI)
- BCM5703 (PCI, embedded)
- P2SE+ (PCI)
- Trifecta (PCI)
- 3COM (PCMCIA)
- DEMNA (XMI)
- TGEC (embedded)
- COREIO (TURBOchannel)
- PMAD (TURBOchannel)
- DE422 (EISA)
- DEBNI (VAXBI)
- DEBNA (VAXBI)
- SGEC (embedded)
- TGEC (embedded)
- DESVA (embedded)
- DESQA (Q-bus)

## Choosing OpenVMS Cluster Interconnects

### 4.11 LAN Interconnects

- DELQA (Q-bus)

**Reference:** For detailed information about the Ethernet adapters supported on each AlphaServer system or HP Integrity system, refer to the OpenVMS web page at:

<http://www.hp.com/go/openvms>

Select AlphaSystems (from the left navigation panel under related links). Next, select the AlphaServer system of interest and then its QuickSpecs. The QuickSpecs for each AlphaServer system briefly describe all options, including the adapters, supported on that system.

For the Ethernet adapters supported on HP Integrity systems, refer to the following HP Integrity server web page:

<http://www.hp.com/products1/servers/integrity/>

Next, select the system of interest. Under Product Information, select Supplies and Accessories, which includes the adapters supported on that system.

#### 4.11.6 Ethernet-to-FDDI Bridges and Switches

You can use transparent Ethernet-to-FDDI translating bridges to provide an interconnect between a 10-Mb/s Ethernet segment and a 100-Mb/s FDDI ring. These Ethernet-to-FDDI bridges are also called 10/100 bridges. They perform high-speed translation of network data packets between the FDDI and Ethernet frame formats.

**Reference:** See Figure 10–21 for an example of these bridges.

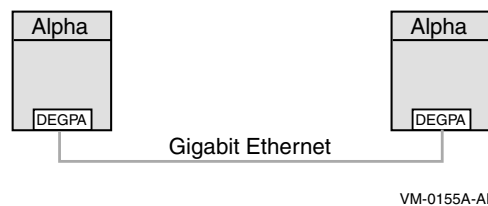
You can use switches to isolate traffic and to aggregate bandwidth, which can result in greater throughput.

#### 4.11.7 Configuration Guidelines for Gigabit Ethernet Clusters (Alpha and I64)

Use the following guidelines when configuring systems in a Gigabit Ethernet cluster:

- Two-node Gigabit Ethernet clusters do not require a switch. They can be connected point to point, as shown in Figure 4–1.

**Figure 4–1 Point-to-Point Gigabit Ethernet OpenVMS Cluster**

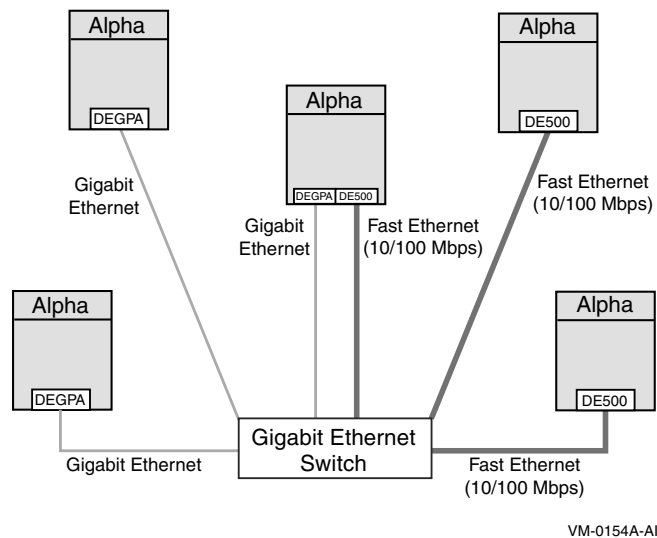


- Most Gigabit Ethernet switches can be configured with Gigabit Ethernet or a combination of Gigabit Ethernet and Fast Ethernet (100 Mb/s).
- Each node can have a single connection to the switch or can be configured with multiple paths, thereby increasing availability, as shown in Figure 4–2.

## Choosing OpenVMS Cluster Interconnects

### 4.11 LAN Interconnects

Figure 4–2 Switched Gigabit Ethernet OpenVMS Cluster



- Support for jumbo frames (7552 bytes each) is available starting with OpenVMS Version 7.3. (Prior to the introduction of jumbo-frame support, the only frame size supported for cluster communications was the standard 1518-byte maximum Ethernet frame size.)
- The DEGPA cannot be used as the boot device, but satellites can be booted over standard 10/100 Ethernet network adapters configured on a Gigabit switch.
- The DEGXA can be used as a boot device.

#### 4.11.8 ATM Advantages (Alpha Only)

ATM offers the following advantages, in addition to those listed in Section 4.11:

- High-speed transmission, up to 622 Mb/s
- OpenVMS support for LAN Emulation over ATM allows for the following maximum frame sizes: 1516, 4544 and 9234.
- LAN emulation over ATM provides the ability to create multiple emulated LANs over one physical ATM adapter. Each emulated LAN appears as a separate network. For more information, see the *HP OpenVMS I/O User's Reference Manual*.
- An ATM switch that provides Quality of Service on a per-emulated-LAN basis can be used to favor cluster traffic over other protocols running on different emulated LANs. For more information, see the documentation for your ATM switch.

#### 4.11.9 ATM Throughput

The ATM interconnect transmits up to 622 Mb/s. The adapter that supports this throughput is the DAPCA.

## Choosing OpenVMS Cluster Interconnects

### 4.11 LAN Interconnects

#### 4.11.10 ATM Adapters

ATM adapters supported in an OpenVMS Cluster system and the internal buses on which they are supported are shown in the following list:

- DAPBA (PCI)
- DAPCA (PCI) 351 (PCI)

### 4.12 Fiber Distributed Data Interface (FDDI) (Alpha and VAX)

FDDI is an ANSI standard LAN interconnect that uses fiber-optic or copper cable.

#### 4.12.1 FDDI Advantages

FDDI offers the following advantages in addition to the LAN advantages listed in Section 4.11:

- Combines high throughput and long distances between nodes
- Supports a variety of topologies

#### 4.12.2 FDDI Node Types

The FDDI standards define the following two types of nodes:

- Stations — The ANSI standard single-attachment station (SAS) and dual-attachment station (DAS) can be used as an interconnect to the FDDI ring. It is advisable to attach stations to wiring concentrators and to attach the wiring concentrators to the dual FDDI ring, making the ring more stable.
- Wiring concentrator — The wiring concentrator (CON) provides a connection for multiple SASs or CONs to the FDDI ring. A DECconcentrator 500 is an example of this device.

#### 4.12.3 FDDI Distance

FDDI limits the total fiber path to 200 km (125 miles). The maximum distance between adjacent FDDI devices is 40 km with single-mode fiber and 2 km with multimode fiber. In order to control communication delay, however, it is advisable to limit the maximum distance between any two OpenVMS Cluster nodes on an FDDI ring to 40 km.

#### 4.12.4 FDDI Throughput

The maximum throughput of the FDDI interconnect (100 Mb/s) is 10 times higher than that of Ethernet.

In addition, FDDI supports transfers using large packets (up to 4468 bytes). Only FDDI nodes connected exclusively by FDDI can make use of large packets.

Because FDDI adapters do not provide processing assistance for OpenVMS Cluster protocols, more processing power is required than for CI or DSSI.

#### 4.12.5 FDDI Adapters and Bus Types

Following is a list of supported FDDI adapters and the buses they support:

- DEFPA (PCI)
- DEFPZ (integral)
- DEMFA (XMI)

## Choosing OpenVMS Cluster Interconnects

### 4.12 Fiber Distributed Data Interface (FDDI) (Alpha and VAX)

- DEFAA (Futurebus+)
- DEFTA (TURBOchannel)
- DEFEA (EISA)
- DEFQA (Q-bus)

**Reference:** For detailed information about the adapters supported on each AlphaServer system, go to the OpenVMS web page at:

<http://www.hp.com/go/openvms>

Select AlphaSystems (from the left navigation panel under related links). Next, select the AlphaServer system of interest and then its QuickSpecs. The QuickSpecs for each AlphaServer system briefly describe all options, including the adapters, supported on that system.

#### 4.12.6 Storage Servers for FDDI-Based Clusters

FDDI-based configurations use FDDI for node-to-node communication. The HS1xx and HS2xx family of storage servers provide FDDI-based storage access to OpenVMS Cluster nodes.



---

## Choosing OpenVMS Cluster Storage Subsystems

This chapter describes how to design a storage subsystem. The design process involves the following steps:

1. Understanding storage product choices
2. Estimating storage capacity requirements
3. Choosing disk performance optimizers
4. Determining disk availability requirements
5. Understanding advantages and tradeoffs for:
  - CI based storage
  - DSSI based storage
  - SCSI based storage
  - Fibre Channel based storage
  - Host-based storage
  - LAN InfoServer

The rest of this chapter contains sections that explain these steps in detail.

### 5.1 Understanding Storage Product Choices

In an OpenVMS Cluster, storage choices include the StorageWorks family of products, a modular storage expansion system based on the Small Computer Systems Interface (SCSI-2) standard. StorageWorks helps you configure complex storage subsystems by choosing from the following modular elements:

- Storage devices such as disks, tapes, CD-ROMs, and solid-state disks
- Array controllers
- Power supplies
- Packaging
- Interconnects
- Software

## Choosing OpenVMS Cluster Storage Subsystems

### 5.1 Understanding Storage Product Choices

#### 5.1.1 Criteria for Choosing Devices

Consider the following criteria when choosing storage devices:

- Supported interconnects
- Capacity
- I/O rate
- Floor space
- Purchase, service, and maintenance cost

#### 5.1.2 How Interconnects Affect Storage Choices

One of the benefits of OpenVMS Cluster systems is that you can connect storage devices directly to OpenVMS Cluster interconnects to give member systems access to storage.

In an OpenVMS Cluster system, the following storage devices and adapters can be connected to OpenVMS Cluster interconnects:

- HSJ and HSC controllers (on CI)
- HSD controllers and ISEs (on DSSI)
- HSZ and RZ series (on SCSI)
- HSG and HSV controllers (on Fibre Channel)
- Local system adapters

Table 5–1 lists the kinds of storage devices that you can attach to specific interconnects.

**Table 5–1 Interconnects and Corresponding Storage Devices**

Storage Interconnect	Storage Devices
CI	HSJ and HSC controllers and SCSI storage
DSSI	HSD controllers, ISEs, and SCSI storage
SCSI	HSZ controllers and SCSI storage
Fibre Channel	HSG and HSV controllers and SCSI storage
FDDI	HSxxx controllers and SCSI storage



# Choosing OpenVMS Cluster Storage Subsystems

## 5.1 Understanding Storage Product Choices

### 5.1.3 How Floor Space Affects Storage Choices

If the cost of floor space is high and you want to minimize the floor space used for storage devices, consider these options:

- Choose disk storage arrays for high capacity with small footprint. Several storage devices come in stackable cabinets for labs with higher ceilings.
- Choose high-capacity disks over high-performance disks.
- Make it a practice to upgrade regularly to newer storage arrays or disks. As storage technology improves, storage devices are available at higher performance and capacity and reduced physical size.
- Plan adequate floor space for power and cooling equipment.

## 5.2 Determining Storage Capacity Requirements

Storage capacity is the amount of space needed on storage devices to hold system, application, and user files. Knowing your storage capacity can help you to determine the amount of storage needed for your OpenVMS Cluster configuration.

### 5.2.1 Estimating Disk Capacity Requirements

To estimate your online storage capacity requirements, add together the storage requirements for your OpenVMS Cluster system's software, as explained in Table 5-2.

**Table 5-2 Estimating Disk Capacity Requirements**

Software Component	Description
OpenVMS operating system	Estimate the number of blocks <sup>1</sup> required by the OpenVMS operating system. <b>Reference:</b> Your OpenVMS installation documentation and Software Product Description (SPD) contain this information.
Page, swap, and dump files	Use AUTOGEN to determine the amount of disk space required for page, swap, and dump files. <b>Reference:</b> The <i>HP OpenVMS System Manager's Manual</i> provides information about calculating and modifying these file sizes.
Site-specific utilities and data	Estimate the disk storage requirements for site-specific utilities, command procedures, online documents, and associated files.
Application programs	Estimate the space required for each application to be installed on your OpenVMS Cluster system, using information from the application suppliers. <b>Reference:</b> Consult the appropriate Software Product Description (SPD) to estimate the space required for normal operation of any layered product you need to use.
User-written programs	Estimate the space required for user-written programs and their associated databases.
Databases	Estimate the size of each database. This information should be available in the documentation pertaining to the application-specific database.

<sup>1</sup>Storage capacity is measured in blocks. Each block contains 512 bytes.

(continued on next page)

# Choosing OpenVMS Cluster Storage Subsystems

## 5.2 Determining Storage Capacity Requirements

**Table 5–2 (Cont.) Estimating Disk Capacity Requirements**

Software Component	Description
User data	<p>Estimate user disk-space requirements according to these guidelines:</p> <ul style="list-style-type: none"><li>• Allocate from 10,000 to 100,000 blocks for each occasional user. An occasional user reads, writes, and deletes electronic mail; has few, if any, programs; and has little need to keep files for long periods.</li><li>• Allocate from 250,000 to 1,000,000 blocks for each moderate user. A moderate user uses the system extensively for electronic communications, keeps information on line, and has a few programs for private use.</li><li>• Allocate 1,000,000 to 3,000,000 blocks for each extensive user. An extensive user can require a significant amount of storage space for programs under development and data files, in addition to normal system use for electronic mail. This user may require several hundred thousand blocks of storage, depending on the number of projects and programs being developed and maintained.</li></ul>
Total requirements	<p>The sum of the preceding estimates is the approximate amount of disk storage presently needed for your OpenVMS Cluster system configuration.</p>

### 5.2.2 Additional Disk Capacity Requirements

Before you finish determining your total disk capacity requirements, you may also want to consider future growth for online storage and for backup storage.

For example, at what rate are new files created in your OpenVMS Cluster system? By estimating this number and adding it to the total disk storage requirements that you calculated using Table 5–2, you can obtain a total that more accurately represents your current and future needs for online storage.

To determine backup storage requirements, consider how you deal with obsolete or archival data. In most storage subsystems, old files become unused while new files come into active use. Moving old files from online to backup storage on a regular basis frees online storage for new files and keeps online storage requirements under control.

Planning for adequate backup storage capacity can make archiving procedures more effective and reduce the capacity requirements for online storage.

## 5.3 Choosing Disk Performance Optimizers

Estimating your anticipated disk performance work load and analyzing the work load data can help you determine your disk performance requirements.

You can use the Monitor utility and DECcmds to help you determine which performance optimizer best meets your application and business needs.

### 5.3.1 Performance Optimizers

Performance optimizers are software or hardware products that improve storage performance for applications and data. Table 5–3 explains how various performance optimizers work.

## Choosing OpenVMS Cluster Storage Subsystems

### 5.3 Choosing Disk Performance Optimizers

**Table 5–3 Disk Performance Optimizers**

Optimizer	Description
DECram for OpenVMS	A disk device driver that enables system managers to create logical disks in memory to improve I/O performance. Data on an in-memory DECram disk can be accessed at a faster rate than data on hardware disks. DECram disks are capable of being shadowed with Volume Shadowing for OpenVMS and of being served with the MSCP server. <sup>1</sup>
Solid-state disks	In many systems, approximately 80% of the I/O requests can demand information from approximately 20% of the data stored on line. Solid-state devices can yield the rapid access needed for this subset of the data.
Disk striping	<p>Disk striping (RAID level 0) lets applications access an array of disk drives in parallel for higher throughput. Disk striping works by grouping several disks into a “stripe set” and then dividing the application data into “chunks” that are spread equally across the disks in the stripe set in a round-robin fashion.</p> <p>By reducing access time, disk striping can improve performance, especially if the application:</p> <ul style="list-style-type: none"> <li>• Performs large data transfers in parallel.</li> <li>• Requires load balancing across drives.</li> </ul> <p>Two independent types of disk striping are available:</p> <ul style="list-style-type: none"> <li>• Controller-based striping, in which HSJ and HSG controllers combine several disks into a single stripe set. This stripe set is presented to OpenVMS as a single volume. This type of disk striping is hardware based.</li> <li>• Host-based striping, using RAID for OpenVMS, which creates stripe sets on an OpenVMS host. The OpenVMS software breaks up an I/O request into several simultaneous requests that it sends to the disks of the stripe set. This type of disk striping is software based.</li> </ul> <p><b>Note:</b> You can use Volume Shadowing for OpenVMS software in combination with disk striping to make stripe set members redundant. You can shadow controller-based stripe sets, and you can shadow host-based disk stripe sets.</p>
Extended file cache (XFC)	OpenVMS Alpha supports host-based caching with extended file cache (XFC), which can replace and can coexist with virtual I/O cache (VIOC). XFC is a clusterwide, file-system data cache that offers several features not available with VIOC, including read-ahead caching and automatic resizing of the cache to improve performance. OpenVMS I64 also supports XFC but does not support VIOC.
Controllers with disk cache	Some storage technologies use memory to form disk caches. Accesses that can be satisfied from the cache can be done almost immediately and without any seek time or rotational latency. For these accesses, the two largest components of the I/O response time are eliminated. The HSC, HSJ, HSD, HSZ, and HSG controllers contain caches. Every RF and RZ disk has a disk cache as part of its embedded controller.

---

<sup>1</sup>The MSCP server makes locally connected disks to which it has direct access available to other systems in the OpenVMS Cluster.

**Reference:** See Section 10.8 for more information about how these performance optimizers increase an OpenVMS Cluster’s ability to scale I/Os.

# Choosing OpenVMS Cluster Storage Subsystems

## 5.4 Determining Disk Availability Requirements

### 5.4 Determining Disk Availability Requirements

For storage subsystems, availability is determined by the availability of the storage device as well as the availability of the path to the device.

#### 5.4.1 Availability Requirements

Some costs are associated with optimizing your storage subsystems for higher availability. Part of analyzing availability costs is weighing the cost of protecting data against the cost of unavailable data during failures. Depending on the nature of your business, the impact of storage subsystem failures may be low, moderate, or high.

Device and data availability options reduce and sometimes negate the impact of storage subsystem failures.

#### 5.4.2 Device and Data Availability Optimizers

Depending on your availability requirements, choose among the availability optimizers described in Table 5–4 for applications and data with the greatest need.

**Table 5–4 Storage Availability Optimizers**

Availability Optimizer	Description
Redundant access paths	Protect against hardware failures along the path to the device by configuring redundant access paths to the data.
Volume Shadowing for OpenVMS software	Replicates data written to a virtual disk by writing the data to one or more physically identical disks that form a shadow set. With replicated data, users can access data even when one disk becomes unavailable. If one shadow set member fails, the shadowing software removes the drive from the shadow set, and processing continues with the remaining drives. Shadowing is transparent to applications and allows data storage and delivery during media, disk, controller, and interconnect failure.  A shadow set can contain up to three members, and shadow set members can be anywhere within the storage subsystem of an OpenVMS Cluster system.  <b>Reference:</b> See <i>HP Volume Shadowing for OpenVMS</i> for more information about volume shadowing.
System disk redundancy	Place system files judiciously on disk drives with multiple access paths. OpenVMS Cluster availability increases when you form a shadow set that includes the system disk. You can also configure an OpenVMS Cluster system with multiple system disks.  <b>Reference:</b> For more information, see Section 11.2.
Database redundancy	Keep redundant copies of certain files or partitions of databases that are, for example, updated overnight by batch jobs. Rather than using shadow sets, which maintain a complete copy of the entire disk, it might be sufficient to maintain a backup copy on another disk or even on a standby tape of selected files or databases.
Newer devices	Protect against failure by choosing newer devices. Typically, newer devices provide improved reliability and mean time between failures (MTBF). Newer controllers also improve reliability by employing updated chip technologies.

(continued on next page)

## Choosing OpenVMS Cluster Storage Subsystems

### 5.4 Determining Disk Availability Requirements

**Table 5–4 (Cont.) Storage Availability Optimizers**

Availability Optimizer	Description
Comprehensive backup strategies	<p>Frequent and regular backups are the most effective way to ensure the availability of your data.</p> <p><b>Reference:</b> For information about Fibre Channel tape support, see Section 7.5. For information about backup strategies and OpenVMS Backup, refer to the <i>HP OpenVMS System Manager's Manual</i>. For information about additional backup software and solutions, visit: <a href="http://h18006.www1.hp.com/storage/tapestorage.html">http://h18006.www1.hp.com/storage/tapestorage.html</a> and <a href="http://h71000.www7.hp.com/openvms/storage.html">http://h71000.www7.hp.com/openvms/storage.html</a>.</p>

## 5.5 CI-Based Storage

The CI interconnect provides the highest OpenVMS Cluster availability with redundant, independent transmit-and-receive CI cable pairs. The CI offers multiple access paths to disks and tapes by means of dual-ported devices between HSC or HSJ controllers.

### 5.5.1 Supported Controllers and Devices

The following controllers and devices are supported by the CI interconnect:

- HSJ storage controllers
  - SCSI devices (RZ,TZ, EZ)
- HSC storage controllers
  - SDI and STI devices (RA, ESE, TA)
  - K.SCSI devices (RZ, TZ, EZ)

## 5.6 DSSI Storage

DSSI-based configurations provide shared direct access to storage for systems with moderate storage capacity. The DSSI interconnect provides the lowest-cost shared access to storage in an OpenVMS Cluster.

The storage tables in this section may contain incomplete lists of products.

### 5.6.1 Supported Devices

DSSI configurations support the following devices:

- EF-series solid-state disks
- RF-series disks
- TF-series tapes
- DECarray storage arrays
- HSD storage controller
  - SCSI devices (RZ,TZ, EZ)

**Reference:** RZ, TZ, and EZ SCSI storage devices are described in Section 5.7.

## Choosing OpenVMS Cluster Storage Subsystems

### 5.7 SCSI-Based Storage

## 5.7 SCSI-Based Storage

The Small Computer Systems Interface (SCSI) bus is a storage interconnect based on an ANSI industry standard. You can connect up to a total of 8 or 16 nodes (3 of which can be CPUs) to the SCSI bus.

### 5.7.1 Supported Devices

The following devices can connect to a single host or multihost SCSI bus:

- RZ-series disks
- HSZ storage controllers

The following devices can connect only to a single host SCSI bus:

- EZ-series disks
- RRD-series CD-ROMs
- TZ-series tapes

## 5.8 Fibre Channel Based Storage

The Fibre Channel interconnect is a storage interconnect that is based on an ANSI industry standard.

### 5.8.1 Storage Devices

The HSG and HSV storage controllers can connect to a single host or to a multihost Fibre Channel interconnect. For more information about Fibre Channel hardware support, see Section 7.2.

## 5.9 Host-Based Storage

Host-based storage devices can be connected locally to OpenVMS Cluster member systems using local adapters. You can make this locally connected storage available to other OpenVMS Cluster members by configuring a node as an MSCP server.

You can use local adapters to connect each disk to two access paths (dual ports). Dual porting allows automatic failover of disks between nodes.

### 5.9.1 Internal Buses

Locally connected storage devices attach to a system's internal bus.

Alpha systems use the following internal buses:

- PCI
- EISA
- XMI
- SCSI
- TURBOchannel
- Futurebus+

VAX systems use the following internal buses:

- VAXBI
- XMI

- Q-bus
- SCSI

### 5.9.2 Local Adapters

Following is a list of local adapters and their bus types:

- KGPSA (PCI)
- KZPSM (PCI)
- KZPDA (PCI)
- KZPSC (PCI)
- KZPAC (PCI)
- KZESC (EISA)
- KZMSA (XMI)
- PB2HA (EISA)
- PMAZB (TURBOchannel)
- PMAZC (TURBOchannel)
- KDM70 (XMI)
- KDB50 (VAXBI)
- KDA50 (Q-bus)





---

## Configuring Multiple Paths to SCSI and Fibre Channel Storage

This chapter describes multipath SCSI support, which is available on:

- OpenVMS Alpha Version 7.2 (and later) for parallel SCSI and Fibre Channel disk devices
- OpenVMS Alpha Version 7.3–1 (and later) for Fibre Channel tape devices.
- OpenVMS I64 Version 8.2 for Fibre Channel disk and tape devices

This chapter applies to disks and tapes except where noted. The SCSI protocol is used on both the parallel SCSI interconnect and the Fibre Channel interconnect. The term **SCSI** is used to refer to either parallel SCSI or Fibre Channel (FC) devices throughout the chapter.

---

### Note

---

OpenVMS Alpha Version 7.3-1 introduced support for failover between local and MSCP served paths to SCSI disk devices. This type of failover *does not* apply to tape devices. This capability is enabled by the `MPDEV_REMOTE` system parameter setting of 1, which is the default setting.

This SCSI multipath feature may be incompatible with some third-party disk caching, disk shadowing, or similar products. HP advises that you not use such software on SCSI devices that are configured for multipath failover (for example, SCSI devices that are connected to HSZ70 and HSZ80 controllers in multibus mode) until this feature is supported by the producer of the software.

See Section 6.2 for important requirements and restrictions for using the multipath SCSI function.

Note that the Fibre Channel and parallel SCSI interconnects are shown generically in this chapter. Each is represented as a horizontal line to which the node and storage subsystems are connected. Physically, the Fibre Channel interconnect is always radially wired from a switch, as shown in Figure 7–1. Parallel SCSI can be radially wired to a hub or can be a daisy-chained bus.

The representation of multiple SCSI disks and SCSI buses in a storage subsystem is also simplified. The multiple disks and SCSI buses, which one or more HSZ $x$ , HSG $x$ , or HSV $x$  controllers serve as a logical unit to a host, are shown in the figures as a single logical unit.

---

The following topics are presented in this chapter:

- Overview of multipath SCSI support (Section 6.1)

## Configuring Multiple Paths to SCSI and Fibre Channel Storage

- Configuration requirements and restrictions (Section 6.2)
- HSx failover modes (Section 6.3)
- Parallel SCSI multipath configurations (disks only) (Section 6.4)
- Device naming for parallel SCSI multipath disk configurations (Section 6.5)
- Fibre Channel multipath configurations (Section 6.6)
- Implementing multipath configurations (Section 6.7)

### 6.1 Overview of Multipath SCSI Support

A multipath SCSI configuration provides failover from one path to a device to another path to the same device. Multiple paths to the same device increase the availability of that device for I/O operations. Multiple paths also offer higher aggregate performance. Figure 6–1 shows a multipath SCSI configuration. Two paths are configured from a computer to the same virtual storage device.

Multipath SCSI configurations for disk devices can use either parallel SCSI or Fibre Channel as the storage interconnect, as illustrated by Figure 6–1. Multipath SCSI configurations for tape devices can use only Fibre Channel as the storage interconnect.

Two or more paths to a single device are called a **multipath set**. When the system configures a path to a device, it checks for an existing device with the same name but a different path. If such a device is found, and multipath support is enabled, the system either forms a multipath set or adds the new path to an existing set. If multipath support is not enabled, then no more than one path to a device is configured.

The system presents a multipath set as a single device. The system selects one path to the device as the “current” path, and performs all I/O over this path until there is a failure or the system manager requests that the system switch to another path.

Multipath SCSI support provides the following types of failover:

- Direct SCSI to direct SCSI
- Direct SCSI to MSCP served (disks only)
- MSCP served to direct SCSI (disks only)

Direct SCSI to direct SCSI failover requires the use of multiported SCSI devices. Direct SCSI to MSCP served failover requires multiple hosts per SCSI bus, but does not require multiported SCSI devices. These two failover types can be combined. Each type and the combination of the two are described next.

#### 6.1.1 Direct SCSI to Direct SCSI Failover

Direct SCSI to direct SCSI failover can be used on systems with multiported SCSI devices. The dual HSZ70, the HSZ80, the HSG80, the dual MDR, and the HSV110 are examples of multiported SCSI devices. A multiported SCSI device can be configured with multiple ports on the same physical interconnect so that if one of the ports fails, the host can continue to access the device through another port. This is known as **transparent failover** mode and has been supported by OpenVMS for disk devices since Version 6.2.

## Configuring Multiple Paths to SCSI and Fibre Channel Storage

### 6.1 Overview of Multipath SCSI Support

OpenVMS Version 7.2 introduced support for a new failover mode in which the multiported disk device can be configured with its ports on different physical interconnects. This is known as **multibus failover** mode.

The HSx failover modes are selected by HSx console commands. Transparent and multibus modes are described in more detail in Section 6.3.

Figure 6–1 is a generic illustration of a multibus failover configuration.

---

#### Note

---

Configure multiple direct SCSI paths to a disk device only when multipath support is enabled on all connected nodes, and the HSZ/G is in multibus failover mode.

---

The two logical disk devices shown in Figure 6–1 represent virtual storage units that are presented to the host by the HSx controller modules. Each logical storage unit is “on line” to one of the two HSx controller modules at a time. When there are multiple logical units, they can be on line to different HSx controllers so that both HSx controllers can be active at the same time.

In transparent mode, a logical unit switches from one controller to the other when an HSx controller detects that the other controller is no longer functioning.

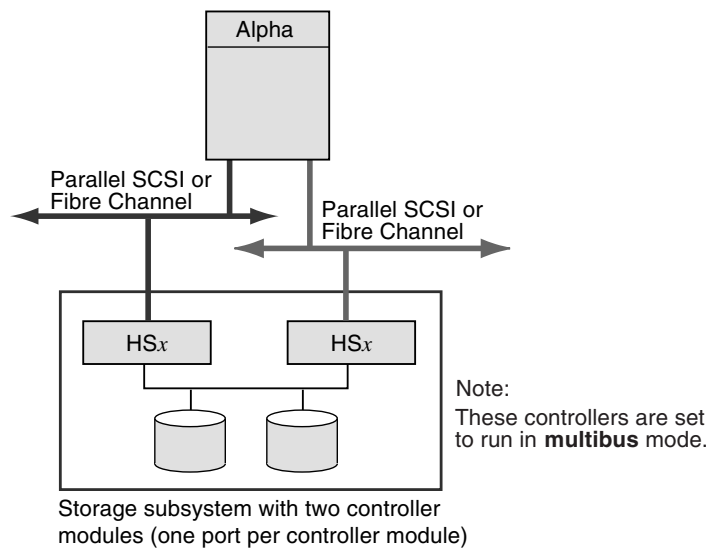
In multibus mode, as shown in Figure 6–1, a logical unit switches from one controller to the other when one of the following events occurs:

- One HSx controller detects that the other controller is no longer functioning.
- The OpenVMS multipath software detects that the current path has failed and issues a command to cause a switch.
- The OpenVMS system manager issues a command to cause a switch.

# Configuring Multiple Paths to SCSI and Fibre Channel Storage

## 6.1 Overview of Multipath SCSI Support

Figure 6–1 Multibus Failover Configuration



VM-0067A-AI

Note the following about Figure 6–1:

- Host has two adapters.
- Interconnects can both be parallel SCSI (HSZ70 or HSZ80) or both be Fibre Channel (HSG<sub>x</sub> or HSV<sub>x</sub>) but not mixed.
- Storage cabinet contains two HS<sub>x</sub> controllers configured for multibus failover mode.

The multibus configuration offers the following advantages over transparent failover:

- Higher aggregate performance with two host adapters and two HS<sub>x</sub> controller modules in operation.
- Higher availability because the storage is still accessible when a host adapter, the interconnect, or the HS<sub>x</sub> controller module on a path fails.

### 6.1.2 Direct SCSI to MSCP Served Failover (Disks Only)

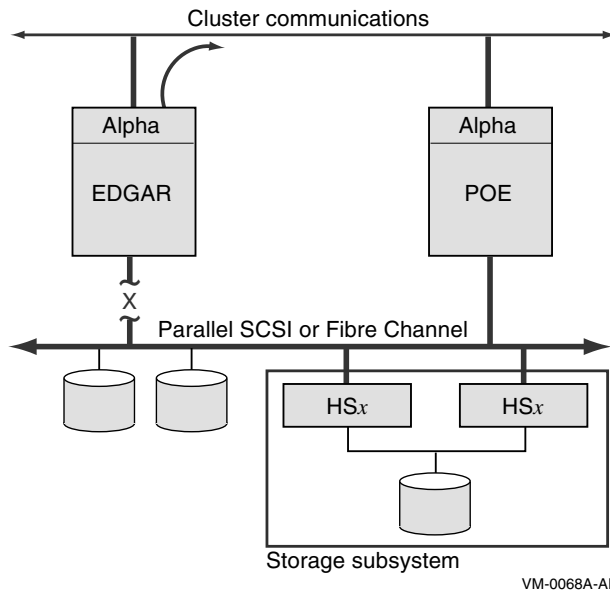
OpenVMS provides support for multiple hosts that share a SCSI bus. This is known as a multihost SCSI OpenVMS Cluster system. In this configuration, the SCSI bus is a shared storage interconnect. Cluster communication occurs over a second interconnect (LAN, DSSI, CI, or MEMORY CHANNEL).

Multipath support in a multihost SCSI OpenVMS Cluster system enables failover from directly attached SCSI storage to MSCP served SCSI storage, as shown in Figure 6–2.

## Configuring Multiple Paths to SCSI and Fibre Channel Storage

### 6.1 Overview of Multipath SCSI Support

Figure 6–2 Direct SCSI to MSCP Served Configuration With One Interconnect



Note the following about this configuration:

- Two hosts are connected to a shared storage interconnect.
- Two hosts are connected by a second interconnect (LAN, CI, DSSI, or MEMORY CHANNEL) for cluster communications.
- The storage devices can have a single port or multiple ports.
- If node Edgar's SCSI connection to the storage fails, the SCSI storage is MSCP served by the remaining host over the cluster interconnect.

Multipath support in such a multihost SCSI OpenVMS Cluster system also enables failover from MSCP served SCSI storage to directly attached SCSI storage. For example, the following sequence of events can occur on the configuration shown in Figure 6–2:

- Node POE is using node EDGAR as an MSCP server to access some storage device on the shared storage interconnect.
- On node EDGAR, the direct connection to the shared storage fails, or node EDGAR is shut down, or node EDGAR becomes unreachable via the cluster interconnect.
- Node POE switches to using its direct path to the shared storage.

---

#### Note

---

In this document, the capability to fail over from direct SCSI to MSCP served paths implies the ability to fail over in either direction between direct and served paths.

---

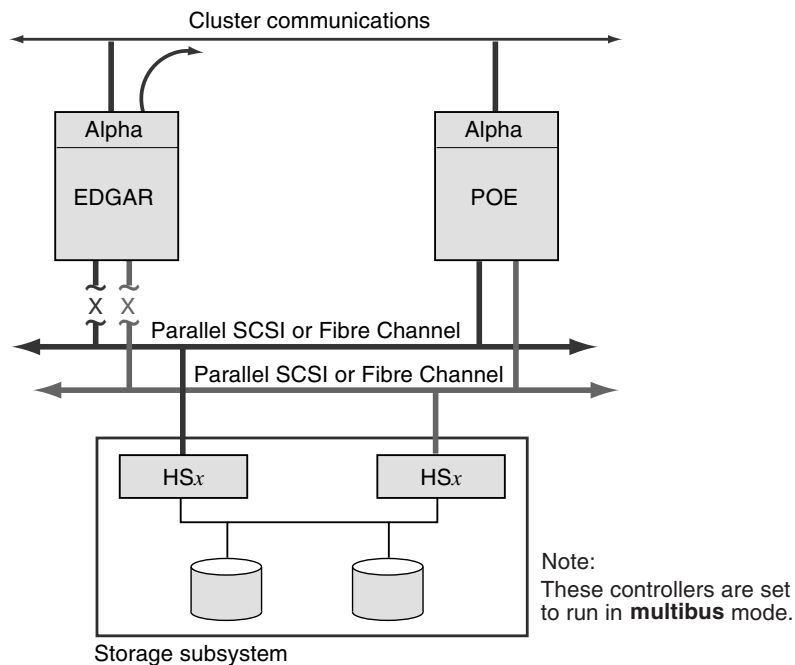
## Configuring Multiple Paths to SCSI and Fibre Channel Storage

### 6.1 Overview of Multipath SCSI Support

#### 6.1.3 Configurations Combining Both Types of Multipath Failover

In a multihost SCSI OpenVMS cluster system, you can increase disk storage availability by configuring the cluster for both types of multipath failover (direct SCSI to direct SCSI and direct SCSI to MSCP served SCSI), as shown in Figure 6-3.

Figure 6-3 Direct SCSI to MSCP Served Configuration With Two Interconnects



VM-0069A-AI

Note the following about this configuration:

- Both nodes are directly connected to both storage interconnects.
- Both nodes are connected to a second interconnect for cluster communications.
- Each HSx storage controller is connected to only one interconnect.
- Both HSx storage controllers are in the same cabinet.

This configuration provides the advantages of both direct SCSI failover and direct to MSCP served failover.

## 6.2 Configuration Requirements and Restrictions

The requirements for multipath SCSI and FC configurations are presented in Table 6-1.

## Configuring Multiple Paths to SCSI and Fibre Channel Storage

### 6.2 Configuration Requirements and Restrictions

**Table 6–1 Multipath SCSI and FC Configuration Requirements**

Component	Description
Host adapter	For parallel SCSI, the KZPBA-CB must be used. It is the only SCSI host adapter that supports disk multipath failover on OpenVMS. For Fibre Channel, both the KGPSA-BC and the KGPSA-CA support multipath failover on OpenVMS.
Alpha console firmware	For systems with HSZ70 and HSZ80, the minimum revision level is 5.3 or 5.4, depending on your AlphaServer. For systems with HSG80, the minimum revision level is 5.4
Controller firmware	For HSZ70, the minimum revision level is 7.3; for HSZ80, it is 8.3; for HSG80, it is 8.4. For MDR, the minimum revision level is 1170.
Controller module mode	Must be set to multibus mode (disks only). The selection is made at the HSx console.
Full connectivity	<p>All hosts that are connected to an HSx in multibus mode must have a path to both HSx controller modules. This is because hosts that are connected exclusively to different controllers will switch the logical unit back and forth between controllers, preventing any I/O from executing.</p> <p>To prevent this from happening, always provide full connectivity from hosts to controller modules. If a host's connection to a controller fails, then take one of the following steps to avoid indefinite path switching:</p> <ul style="list-style-type: none"> <li>• Repair the connection promptly.</li> <li>• Prevent the other hosts from switching to the partially connected controller. This is done by either disabling switching to the paths that lead to the partially connected controller (see Section 6.7.11), or by shutting down the partially connected controller.</li> <li>• Disconnect the partially connected host from both controllers.</li> </ul>
Allocation classes	<p>For parallel SCSI, a valid HSZ allocation class is required (see Section 6.5.3). If a SCSI bus is configured with HSZ controllers only, and all the controllers have a valid HSZ allocation class, then it is not necessary to adhere to the older SCSI device naming rules for that bus. That is, the adapters require neither a matching port allocation class nor a matching node allocation class and matching OpenVMS adapter device names.</p> <p>However, if there are non-HSZ devices on the bus, or HSZ controllers without an HSZ allocation class, you must follow the standard rules for shared SCSI buses for node and port allocation class assignments and for controller device names.</p> <p>Booting from devices with an HSZ allocation class is supported on all AlphaServers that support the KZPBA-CB except for the AlphaServer 2x00(A).</p> <p>The controller allocation class is not used for FC devices.</p> <p><b>Note:</b> If you are using Volume Shadowing for OpenVMS, every disk must have a nonzero allocation class. All FC disks attached to HSG and HSV controllers are automatically assigned the allocation class value of 1, which satisfies the volume shadowing requirement.</p>

The restrictions for multipath FC and SCSI configurations are presented in Table 6–2.

# Configuring Multiple Paths to SCSI and Fibre Channel Storage

## 6.2 Configuration Requirements and Restrictions

**Table 6–2 Multipath FC and SCSI Configuration Restrictions**

Capability	Description										
Devices supported	<p>DKDRIVER disk devices attached to HSZ70, HSZ80, HSG60, HSG80, and HSV110 controller modules are supported. MKDRIVER tapes and GKDRIVER tape robots attached to an MDR are supported. Other device types, such as tapes, and generic class drivers, such as GKDRIVER, are not supported.</p> <p>Note that under heavy load, a host-initiated manual or automatic switch from one controller to another may fail on an HSZ70 or HSZ80 controller. Testing has shown this to occur infrequently. This problem has been fixed for the HSZ70 with the firmware HSOF V7.7 (and later). The problem will be fixed for the HSZ80 in a future release. This problem does <i>not</i> occur on HSGx or HSVx controllers, nor on the MDR.</p>										
Mixed-version and mixed-architecture clusters	<p>All hosts that are connected to an HSZ, HSG, or HSV in multibus mode must be running OpenVMS Version 7.2 or higher.</p> <p>To use multipath failover to a served path, MPDEV_REMOTE must be enabled on all systems that have direct access to shared SCSI or Fibre Channel devices. The first release to provide this feature is OpenVMS Alpha Version 7.3-1. Therefore, all nodes on which MPDEV_REMOTE is enabled must be running OpenVMS Alpha Version 7.3-1 or later.</p>										
SCSI to MSCP failover MSCP to SCSI failover	<p>Multiple hosts must be attached to SCSI disk devices via a shared SCSI bus (either parallel SCSI or Fibre Channel). All the hosts on the shared SCSI bus must be running OpenVMS Alpha Version 7.3–1, and the MPDEV_REMOTE system parameter must be set to 1 on these hosts.</p>										
Volume Shadowing for OpenVMS	<p>The use of default settings for certain system parameters may lead to the occasional removal of shadow set members that are configured for multipath support. The shadow set members where this has been observed are using Volume Shadowing for OpenVMS.</p> <p>Therefore, when configuring multipath shadow sets using Volume Shadowing for OpenVMS, observe the following recommended setting for these system parameters:</p> <table border="1"> <thead> <tr> <th>System Parameter</th> <th>Recommended Setting</th> </tr> </thead> <tbody> <tr> <td>MSCP_CMD_TMO</td> <td>60 as a minimum. The value of 60 is appropriate for most configurations. Some configurations may require a higher setting.</td> </tr> <tr> <td>SHADOW_MBR_TMO</td> <td>At least 3 x MSCP_CMD_TMO.</td> </tr> <tr> <td>SHADOW_SYS_TMO</td> <td>At least 3 x MSCP_CMD_TMO.</td> </tr> <tr> <td>MVTIMEOUT</td> <td>At least 4 x SHADOW_MBR_TMO.</td> </tr> </tbody> </table>	System Parameter	Recommended Setting	MSCP_CMD_TMO	60 as a minimum. The value of 60 is appropriate for most configurations. Some configurations may require a higher setting.	SHADOW_MBR_TMO	At least 3 x MSCP_CMD_TMO.	SHADOW_SYS_TMO	At least 3 x MSCP_CMD_TMO.	MVTIMEOUT	At least 4 x SHADOW_MBR_TMO.
System Parameter	Recommended Setting										
MSCP_CMD_TMO	60 as a minimum. The value of 60 is appropriate for most configurations. Some configurations may require a higher setting.										
SHADOW_MBR_TMO	At least 3 x MSCP_CMD_TMO.										
SHADOW_SYS_TMO	At least 3 x MSCP_CMD_TMO.										
MVTIMEOUT	At least 4 x SHADOW_MBR_TMO.										

### 6.3 HSx Failover Modes

The HSZ70, HSZ80, and HSGx implement two modes of failover operation when they are in a dual-redundant configuration, transparent failover mode, and multibus failover mode. HSVx supports multibus failover only.



## Configuring Multiple Paths to SCSI and Fibre Channel Storage

### 6.3 HSx Failover Modes

---

#### Note

---

Starting with OpenVMS Alpha Version 7.3, transparent failover mode for the HSGx is supported.

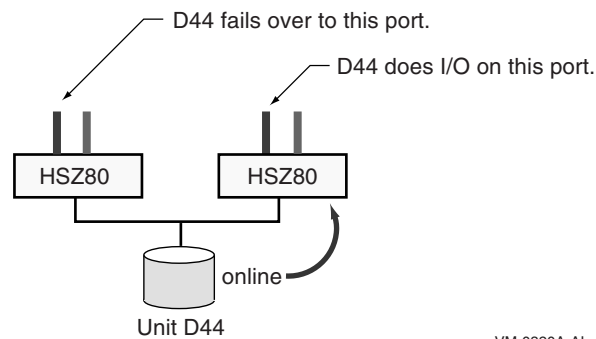
---

For the system to operate correctly, the HSx failover mode must be compatible with the configuration of the interconnect hardware and the host operating system software, as described in the following sections.

#### 6.3.1 Transparent Failover Mode

In transparent failover mode, the HSx presents each logical unit on one port of the dual controller pair. Different logical units may be assigned to different ports, but an individual logical unit is accessible through one port at a time. As shown in Figure 6–4, when the HSZ detects that a controller module has failed, it moves the logical unit to the corresponding port on the surviving controller.

**Figure 6–4 Storage Subsystem in Transparent Mode**



The assumption in transparent mode is that the two ports are on the same host bus, so the logical unit can move from one port to the other without requiring any changes to the host's view of the device. The system manager must ensure that the bus configuration is correct for this mode of failover. OpenVMS has supported transparent failover for HSZ controllers since Version 6.2.

To select transparent failover mode on the HSZ or HSG, enter one of the following commands at the console, depending on your configuration:

```
HSZ> SET FAILOVER COPY=THIS_CONTROLLER
```

or

```
HSZ> SET FAILOVER COPY=OTHER_CONTROLLER
```

An example of the output of a console SHOW command on an HSZ in transparent mode follows:

## Configuring Multiple Paths to SCSI and Fibre Channel Storage

### 6.3 HSx Failover Modes

```
z70 A => SHOW THIS_CONTROLLER
Controller:
  HSZ70 ZG64100160 Firmware XB32-0, Hardware CX25
  Configured for dual-redundancy with ZG64100136
  In dual-redundant configuration
  Device Port SCSI address 7
  Time: 02-DEC-1998 09:22:09
Host port:
  SCSI target(s) (0, 2, 3, 4, 5, 6)
  Preferred target(s) (3, 5)
  TRANSFER_RATE_REQUESTED = 20MHZ
  Host Functionality Mode = A
  Allocation class 0
  Command Console LUN is target 0, lun 1
Cache:
  32 megabyte write cache, version 4
  Cache is GOOD
  Battery is GOOD
  No unflushed data in cache
  CACHE_FLUSH_TIMER = DEFAULT (10 seconds)
  NOCACHE_UPS
```

#### 6.3.2 Multibus Failover Mode (Disks Only)

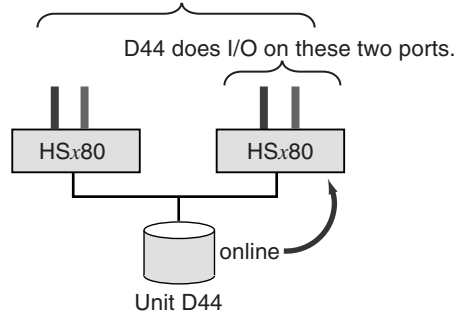
In multibus failover mode, the HSx responds to SCSI Inquiry commands from the host on all ports of the dual controller pair. This allows the host to be aware of all the possible paths to the device. There are two advantages to having the host aware of all the paths to a device:

- The host can select an alternate path if it detects a failure on the current path. This is in addition to the failover that occurs when the HSx controller detects a failure, as is provided in transparent mode.
- The paths do not need to be on the same host bus. When the host is aware of the alternate paths, it can adjust its addressing methods appropriately to select a different path. This removes the SCSI bus as a single point of failure.

Note that, although the logical unit is visible on all ports, it is on line and thus capable of doing I/O on the ports of only one controller at a time. Different logical units may be on line to different controllers, but an individual logical unit is on line to only one controller at a time, as shown in Figure 6–5.

**Figure 6–5 Storage Subsystem in Multibus Mode**

D44 answers SCSI Inquiry commands on all four ports.



VM-0321A-AI

## Configuring Multiple Paths to SCSI and Fibre Channel Storage

### 6.3 HSx Failover Modes

You can determine which controller a logical unit is on line to by entering the HSx console command, as follows:

```
z70_A => SHOW UNIT FULL
  LUN                                     Uses
-----
D200                                     DISK20300
Switches:
  RUN                                     NOWRITE_PROTECT       READ_CACHE
  MAXIMUM_CACHED_TRANSFER_SIZE = 32
  ACCESS_ID = ALL
State:
  ONLINE to the other controller
  PREFERRED_PATH = OTHER_CONTROLLER
Size: 2050860 blocks
```

The host executes I/O to a logical unit on one path at a time, until that path fails. If a controller has two ports, as the HSZ80 and the HSG80 controllers do, then different hosts can access the same logical unit over different ports of the controller to which the logical unit is on line.

An HSx in multibus failover mode can only be used with the multipath functionality introduced in OpenVMS Version 7.2.

To select multibus failover mode, enter one of the following commands at the HSx: console, whichever is appropriate to your configuration:

```
HSZ> SET MULTIBUS_FAILOVER COPY=THIS_CONTROLLER
```

or

```
HSZ> SET MULTIBUS_FAILOVER COPY=OTHER_CONTROLLER
```

An example of the output of a console SHOW command on an HSx controller in multibus mode follows:

```
z70_B => SHOW THIS_CONTROLLER
Controller:
  HSZ70 ZG64100136 Firmware XB32-0, Hardware CX25
  Configured for MULTIBUS_FAILOVER with ZG64100160
  In dual-redundant configuration
  Device Port SCSI address 6
  Time: NOT SET
Host port:
  SCSI target(s) (0, 2, 3, 4, 5, 6)
  TRANSFER_RATE_REQUESTED = 20MHZ
  Host Functionality Mode = A
  Allocation class      0
  Command Console LUN is target 0, lun 1
Cache:
  32 megabyte write cache, version 4
  Cache is GOOD
  Battery is GOOD
  No unflushed data in cache
  CACHE_FLUSH_TIMER = DEFAULT (10 seconds)
  NOCACHE_UPS
```

# Configuring Multiple Paths to SCSI and Fibre Channel Storage

## 6.3 HSx Failover Modes

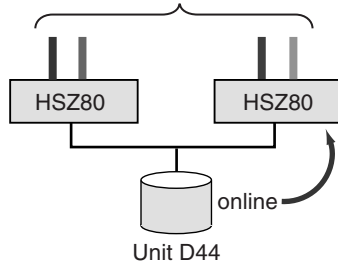
### 6.3.3 Port Addressing for Controllers in Multibus Mode

There is a difference between parallel SCSI and FC in the way that the ports on multibus controllers are addressed. In parallel SCSI (the HSZ70 and the HSZ80), all the ports are assigned the same SCSI target IDs. This is noted for the HSZ80 configuration shown in Figure 6–6.

**Figure 6–6 Port Addressing for Parallel SCSI Controllers in Multibus Mode**

D44 answers SCSI Inquiry commands on all four ports.

All four ports have the same SCSI target ID. They **must** be on separate SCSI buses.



VM-0322A-AI

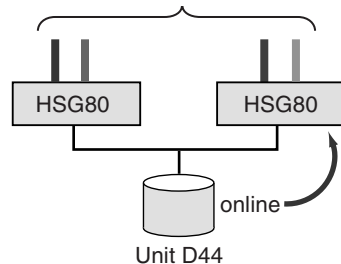
The reason all the ports have the same target ID is that the target ID is part of the OpenVMS device name (for example, the 6 in \$4\$DKC600), and the device name must be the same for all paths. This means that each port must be on a separate SCSI bus or there will be an address conflict.

In Fibre Channel configurations with the HSGx or the HSVx, all the ports have their own FC address and WWID, as noted in Figure 6–7. The same is true for the MDR.

**Figure 6–7 Port Addressing for Fibre Channel Controllers in Multibus Mode**

D44 answers SCSI Inquiry commands on all four ports.

All four ports have different FC addresses and WWIDs. The port can be on the same or different FC interconnects.



VM-0323A-AI

The ports on the HSGx and the HSVx have separate FC addresses and WWIDs because these items are not used in the OpenVMS FC device name. This means that any number of ports can be connected to the same FC interconnect. In fact, all the ports of the HSGx or HSVx in multibus mode should be connected, even if there is just one interconnect, because this can improve availability and performance.

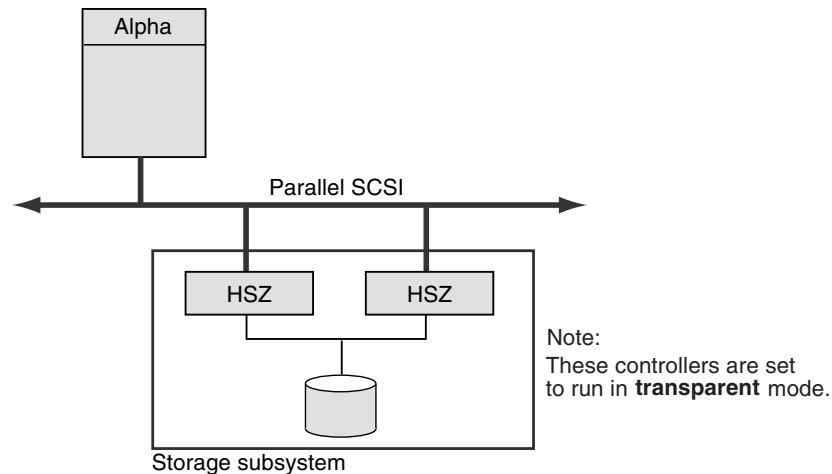
## 6.4 Parallel SCSI Multipath Configurations (Disks Only)

The figures in this section show systems configured for transparent failover and for multipath failover. The special considerations for controller modules that have multiple ports, such as the HSZ80, are also described.

### 6.4.1 Transparent Failover

Transparent failover in a parallel SCSI configuration, as shown in Figure 6–8, requires that both controller modules be on the same SCSI bus.

Figure 6–8 Parallel SCSI Configuration With Transparent Failover



VM-0070A-AI

In this configuration:

- Each logical unit is visible to the host on only one controller module at a time. The other controller module does not answer at the same SCSI address, but it can be used for other SCSI addresses.
- One HSZ controller module detects the failure of the other controller and fails over the logical unit to itself. The surviving controller takes over the SCSI address or addresses of the failed controller.

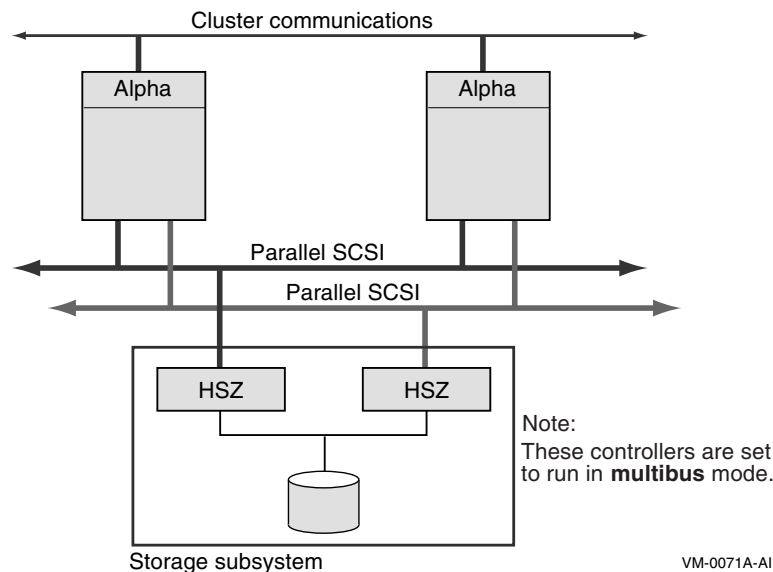
### 6.4.2 Multibus Failover and Multiple Paths

A parallel SCSI configuration with multiple paths from the host to storage offers higher availability and performance than a configuration using transparent failover. Figure 6–9 shows this configuration.

## Configuring Multiple Paths to SCSI and Fibre Channel Storage

### 6.4 Parallel SCSI Multipath Configurations (Disks Only)

Figure 6–9 Parallel SCSI Configuration With Multibus Failover and Multiple Paths



Note the following about this configuration:

- Each logical unit is visible to the host at the same ID on both controller modules so it can be configured. The logical unit responds to read/write I/O on only one controller at a time, the controller to which it is online.
- The controller modules must be on different SCSI buses to prevent a bus ID conflict.
- The HSZ moves a logical unit to the other controller if either of the following events occurs:
  - HSZ detects a controller failure.
  - Host sends a SCSI START command for the logical unit to the other controller.

#### 6.4.3 Configurations Using Multiported Storage Controllers

Higher levels of availability and performance can be achieved with the use of multiported storage controllers, such as the HSZ80. The HSZ80 storage controller is similar to the HSZ70 except that each HSZ80 controller has two ports.

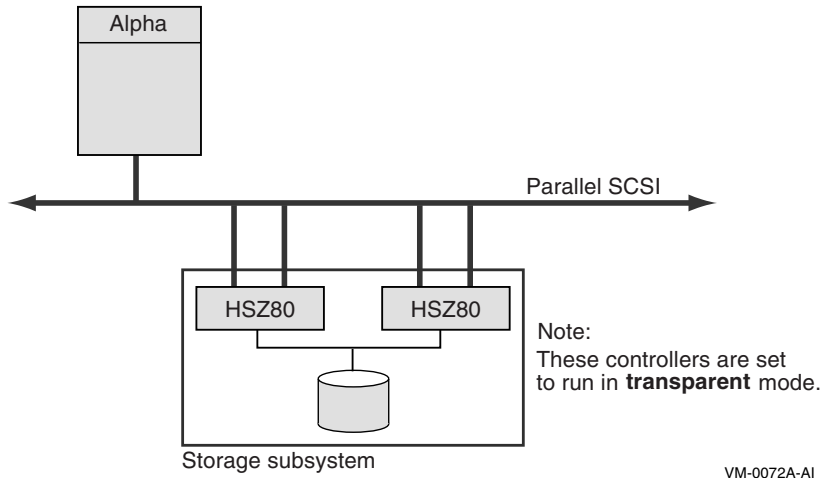
This section shows three configurations that use multiported storage controllers. The configurations are presented in order of increasing availability.

Figure 6–10 shows a single host with a single interconnect, using an HSZ80 in transparent mode.

## Configuring Multiple Paths to SCSI and Fibre Channel Storage

### 6.4 Parallel SCSI Multipath Configurations (Disks Only)

Figure 6–10 Multiported Parallel SCSI Configuration With Single Interconnect in Transparent Mode

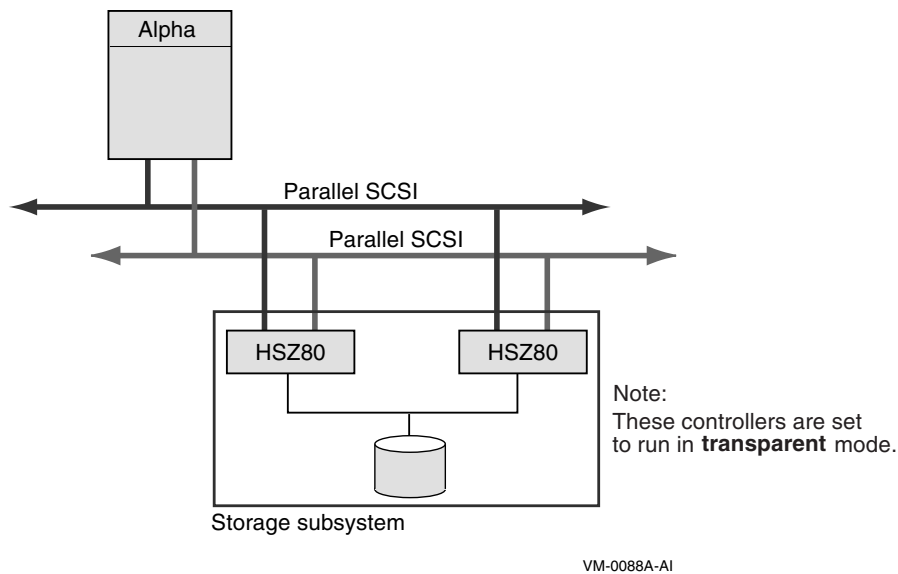


Note the following about this configuration:

- Each logical unit is visible on one port per storage controller.
- If a port fails, the HSZ80 fails over the traffic to the corresponding port of the other HSZ80.

Figure 6–11 shows a system configured in transparent mode using two paths from the host.

Figure 6–11 Multiported Parallel SCSI Configuration With Multiple Paths in Transparent Mode



In this configuration:

- Physically corresponding ports must be on the same SCSI bus.
- A maximum of two buses can be connected to each storage controller.

## Configuring Multiple Paths to SCSI and Fibre Channel Storage

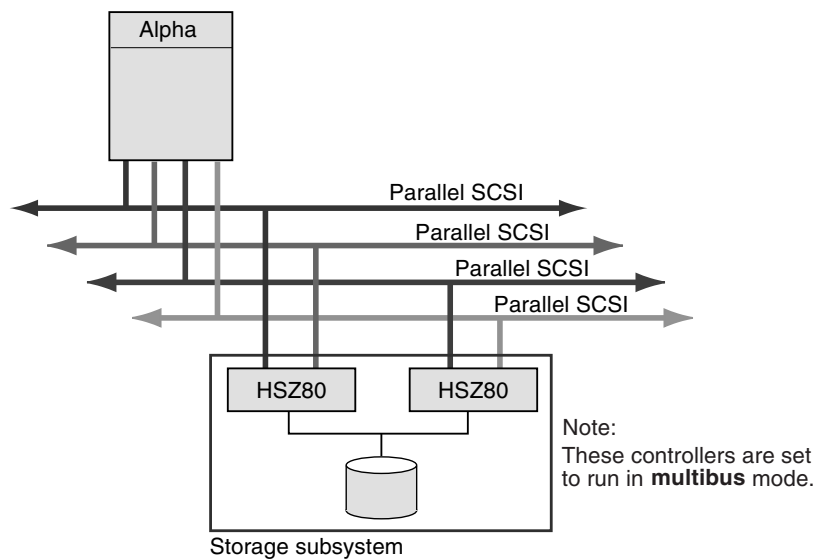
### 6.4 Parallel SCSI Multipath Configurations (Disks Only)

Note that in this configuration, although there are two buses, there is only one path from the host to a particular logical unit. When a controller fails, the logical unit moves to the corresponding port on the other controller. Both ports are on the same host bus.

This configuration has better performance than the one in Figure 6–10 because both SCSI buses can be simultaneously active. This configuration does not have higher availability, however, because there is still only one path from the host to the logical unit.

Figure 6–12 shows a system using the multiported HSZ80 storage controller configured in multibus mode.

**Figure 6–12 Multiported Parallel SCSI Configuration With Multiple Paths in Multibus Mode**



VM-0073A-AI

In this configuration:

- Each logical unit is visible to the host at the same ID on all ports (so they all will be configured by the host).
- All the ports must be on different SCSI buses.
- The host uses one path at a time.
- Each logical unit can execute I/O simultaneously over the two ports of the controller to which it is “on line.” This means that if there are multiple hosts, then two paths to the storage device may be simultaneously active.

### 6.5 Disk Device Naming for Parallel SCSI Multipath Configurations

SCSI device names have evolved as systems have become larger and more complex. At first, SCSI device names were entirely path dependent. The device name indicated the node, host adapter, SCSI bus ID, and logical unit number (LUN) used to access the device. Path-based names are not suitable for multiple host and multiple path environments because:



## Configuring Multiple Paths to SCSI and Fibre Channel Storage

### 6.5 Disk Device Naming for Parallel SCSI Multipath Configurations

- The node name can not be used when there are multiple nodes with direct access to a device.
- The host adapter's controller letter can not be used when the controller letters on a shared bus do not match.
- The host adapter's controller letter can not be used when a node is connected to a device with multiple adapters.

The first two of these issues were addressed by the use of the node allocation class and the port allocation class. The third issue requires the introduction of an HSZ controller-based allocation class. These three allocation classes are reviewed in the following sections.

#### 6.5.1 Review of Node Allocation Classes

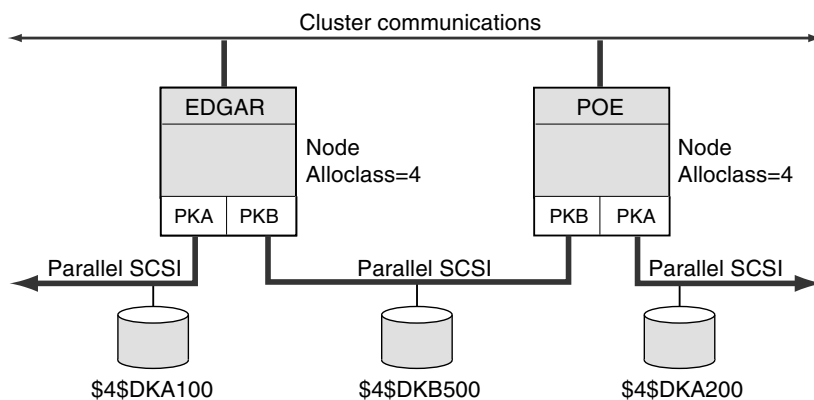
A node allocation class is used in a device name in place of a node name. A node allocation class is needed to produce a unique device name when multiple nodes have a direct connection to the same SCSI device.

A node allocation class can only be used in a device name when all nodes that share access to a SCSI storage device:

- Have only one direct path to the device.
- Use the same host controller name on the shared bus.
- Have sufficient SCSI IDs to produce unique names for nonshared devices.

Figure 6–13 shows a configuration whose devices are named using a node allocation class.

**Figure 6–13 Devices Named Using a Node Allocation Class**



VM-0074A-AI

#### 6.5.2 Review of Port Allocation Classes

A port allocation class in a device name designates the host adapter that is used to access the device. The port allocation class replaces the node allocation class in the device name, and the adapter controller letter is set to the constant A.

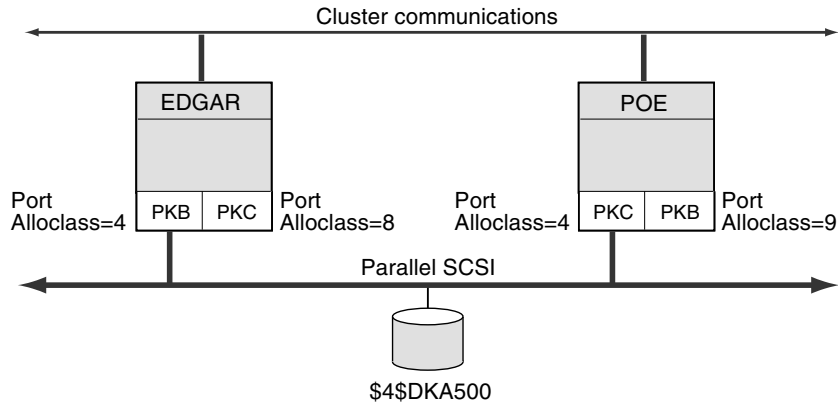
The port allocation class can be used when SCSI systems need more SCSI IDs to produce unique device names, or when the controller letter of the adapters on a shared bus do not match. A port allocation class can only be used in a device name when all nodes that share access to a SCSI storage device have only one direct path to the device.

# Configuring Multiple Paths to SCSI and Fibre Channel Storage

## 6.5 Disk Device Naming for Parallel SCSI Multipath Configurations

Figure 6–14 shows a configuration whose devices are named using a port allocation class.

**Figure 6–14 Devices Named Using a Port Allocation Class**

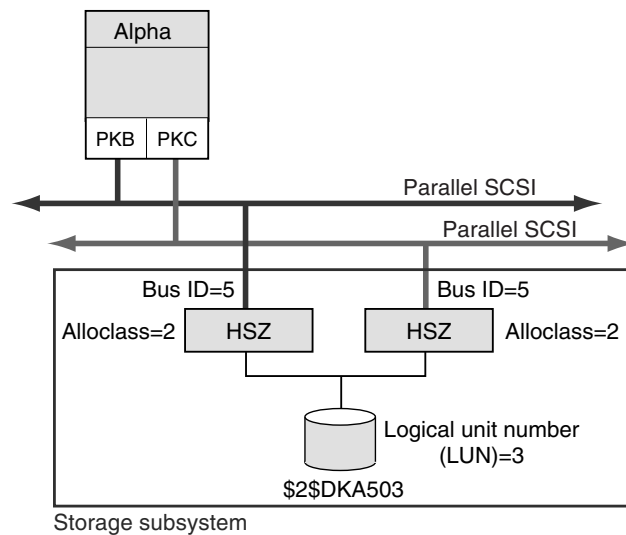


VM-0075A-AI

### 6.5.3 Device Naming Using HSZ Allocation Classes

When any node has multiple buses connecting to the same storage device, the new HSZ allocation class shown in Figure 6–15 must be used.

**Figure 6–15 Devices Named Using an HSZ Allocation Class**



VM-0076A-AI

An HSZ allocation class is similar to the HSC, HSD, and HSJ allocation classes. The device name, using an HSZ allocation class number, takes the following form:

`$HSZ-allocation-class$ddcu`

where:

- *HSZ-allocation-class* is a decimal value from 1 to 999, assigned to a particular HSZ storage controller by the system manager

## Configuring Multiple Paths to SCSI and Fibre Channel Storage

### 6.5 Disk Device Naming for Parallel SCSI Multipath Configurations

- *dd* represents the device class, which is DK for disk
- *c* represents the controller, which must be A when using an HSZ allocation class
- *u* represents the device unit number, which is determined by the SCSI bus ID and the logical unit number (LUN) of the device

The system manager sets an HSZ allocation class from the HSZ console, using one of the following commands, as appropriate to the configuration:

```
HSZ> SET THIS_CONTROLLER ALLOCATION_CLASS = n
```

or

```
HSZ> SET OTHER_CONTROLLER ALLOCATION_CLASS = n
```

where *n* is a value from 1 to 999.

When the allocation class is set on one controller module in a dual redundant configuration, it is automatically set to the same value on the other controller.

In the following example, the allocation class is set to 199. The example shows that the value is set for both controllers.

```
z70 B => SET THIS ALLOCATION CLASS=199
z70 B => SHOW THIS_CONTROLLER
Controller:
    HSZ70 ZG64100136 Firmware XB32-0, Hardware CX25
    Configured for MULTIBUS FAILOVER with ZG64100160
        In dual-redundant configuration
    Device Port SCSI address 6
    Time: NOT SET
Host port:
    SCSI target(s) (0, 2, 3, 4, 5, 6)
    TRANSFER_RATE_REQUESTED = 20MHZ
    Host Functionality Mode = A
    Allocation class      199
    Command Console LUN is target 0, lun 1
Cache:
    32 megabyte write cache, version 4
    Cache is GOOD
    Battery is GOOD
    No unflushed data in cache
    CACHE_FLUSH_TIMER = DEFAULT (10 seconds)
    NOCACHE UPS
z70 B => SHOW OTHER_CONTROLLER
Controller:
    HSZ70 ZG64100160 Firmware XB32-0, Hardware CX25
    Configured for MULTIBUS FAILOVER with ZG64100136
        In dual-redundant configuration
    Device Port SCSI address 7
    Time: NOT SET
Host port:
    SCSI target(s) (0, 2, 3, 4, 5, 6)
```

## Configuring Multiple Paths to SCSI and Fibre Channel Storage

### 6.5 Disk Device Naming for Parallel SCSI Multipath Configurations

```
TRANSFER RATE REQUESTED = 20MHZ
Host Functionality Mode = A
Allocation class          199
Command Console LUN is target 0, lun 1
Cache:
  32 megabyte write cache, version 4
  Cache is GOOD
  Battery is GOOD
  No unflushed data in cache
  CACHE_FLUSH_TIMER = DEFAULT (10 seconds)
  NOCACHE_UPS
```

The following rules pertain to the use of an HSZ allocation class in SCSI device names:

1. In multibus mode, an HSZ allocation class must be used in a device name (otherwise, the device is not configured).
2. In transparent mode, an HSZ allocation class can be used in a device name but it is not required.
3. The HSZ allocation class number must be the same for both controllers of an HSZ. This is handled automatically by the HSZ firmware.
4. The HSZ allocation class number must be unique among all types of allocation classes throughout the cluster.
5. The HSZ allocation class must be specified when referring to devices that have an HSZ allocation class. For example, the names DKA500 and NODE10\$DKA500 can not be used. In addition, the \$GETDVI system service will only return the fully specified name, including the HSZ allocation class, for these devices.

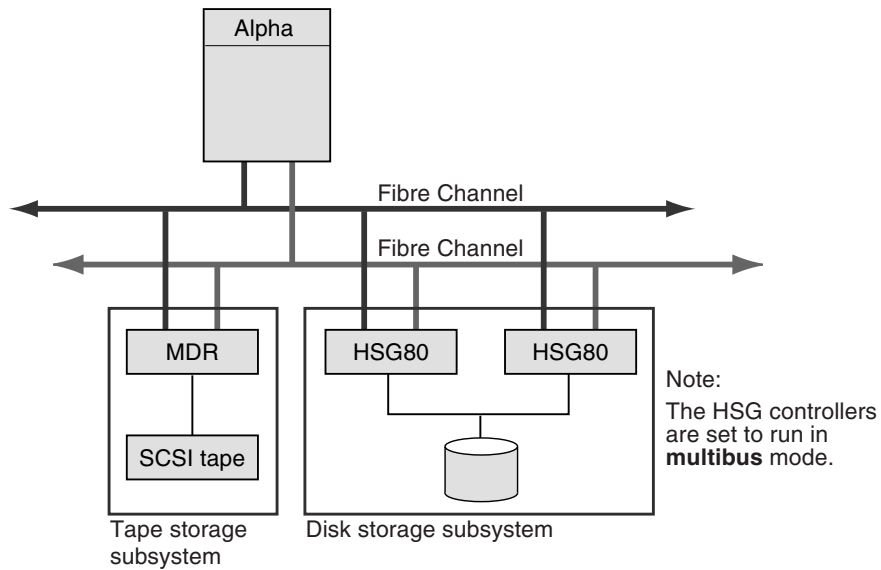
### 6.6 Fibre Channel Multipath Configurations

Figure 6–16 shows a multipath configuration with both a tape storage subsystem and a disk storage subsystem. Note that the disk storage controllers are configured in multibus mode.

## Configuring Multiple Paths to SCSI and Fibre Channel Storage

### 6.6 Fibre Channel Multipath Configurations

Figure 6–16 Single Host With Two Dual-Ported Storage Controllers, One Dual-Ported MDR, and Two Buses



VM-0090A-AI

Note the following about this configuration:

- Host has two adapters, each attached to a different bus.
- Each port on each HSG $x$  or HSV $x$  storage controller is attached to a different interconnect.
- Each port on the Modular Data Router (MDR) or the Network Storage Router (NSR) is attached to a different interconnect.
- Both storage controllers can access the same disk.
- Host has four paths to the same logical unit.

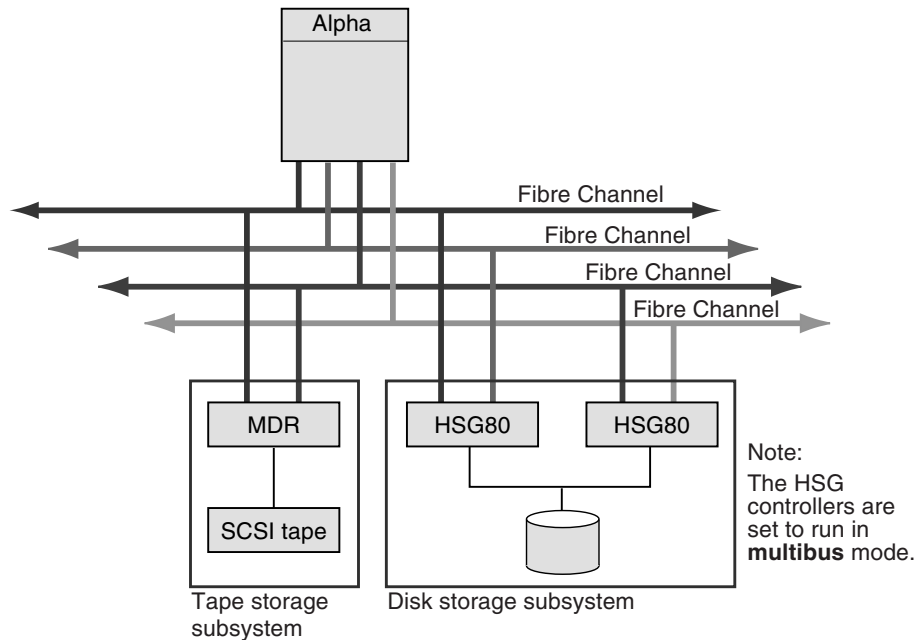
Note that each HSG80 port has its own Fibre Channel address and Fibre Channel port WWID. This is different from an HSG80 in multibus mode where all the ports respond to the same SCSI address and must, therefore, be connected to different SCSI buses. The separate FC addresses enable both ports of the dual HSG80 to be on the same FC.

## Configuring Multiple Paths to SCSI and Fibre Channel Storage

### 6.6 Fibre Channel Multipath Configurations

Figure 6–17 is similar to Figure 6–16, except it has two additional Fibre Channel interconnects.

**Figure 6–17 Single Host With Two Dual-Ported Storage Controllers, One Dual-Ported MDR, and Four Buses**



VM-0091A-AI

Note the following about this configuration:

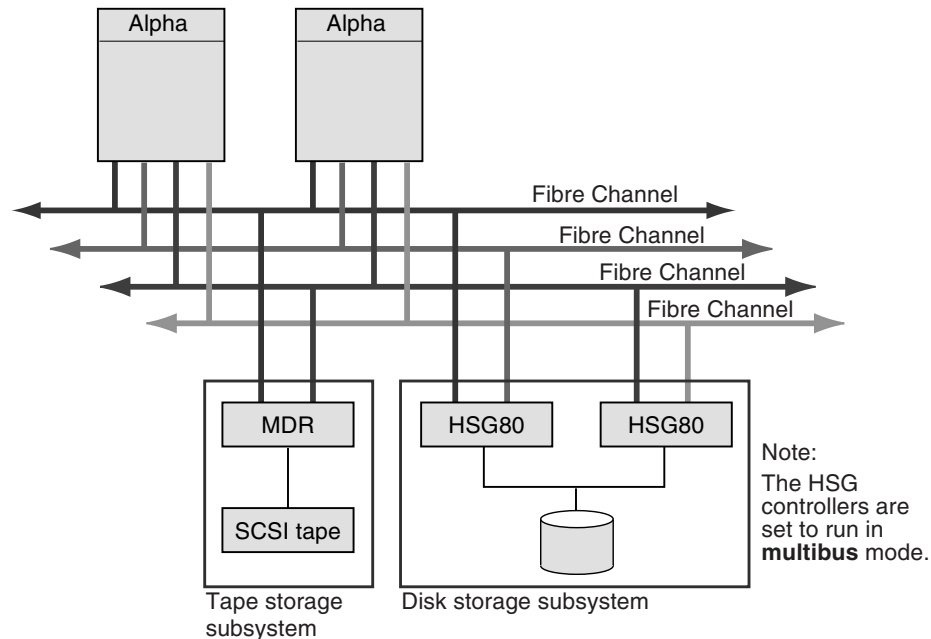
- Host has four adapters, each attached to a different interconnect.
- Each port on each HSG $x$  or HSV $x$  storage controller is attached to a different interconnect.
- Each port on the Modular Data Router (MDR) or the Network Storage Router (NSR) is attached to a different interconnect.
- Host has four paths to the same logical unit.

## Configuring Multiple Paths to SCSI and Fibre Channel Storage

### 6.6 Fibre Channel Multipath Configurations

Figure 6–18 builds on the previous two figures. Instead of a single host, it has two hosts.

**Figure 6–18 Two Hosts With Two Dual-Ported Storage Controllers, One Dual-Ported MDR, and Four Buses**



VM-0911A-AI

Note the following about this configuration:

- Each host has four adapters, each attached to a different interconnect.
- Each port on each HSG $x$  or HSV $x$  storage controller is attached to a different interconnect.
- Each port on the Modular Data Router (MDR) or the Network Storage Router (NSR) is attached to a different interconnect.
- Each host has four paths to the same logical unit of the disk storage subsystem and two paths to the tape storage subsystem.

## 6.7 Implementing Multipath Configurations

Parallel SCSI and Fibre Channel interconnects support multipath configurations. Implementation of these configurations is similar, and the system parameters and the command for specifying paths are the same. The syntax for the path identifiers differs.

Implementing multiple paths to devices consists of the following steps:

1. Configuring a system or systems with multiple physical paths to those devices for which you want multipath support.
2. Setting the HS $x$  controller to multibus mode (disks only).
3. Optionally qualifying multipath support by setting certain multipath system and console parameters, as appropriate for your configuration.

## Configuring Multiple Paths to SCSI and Fibre Channel Storage

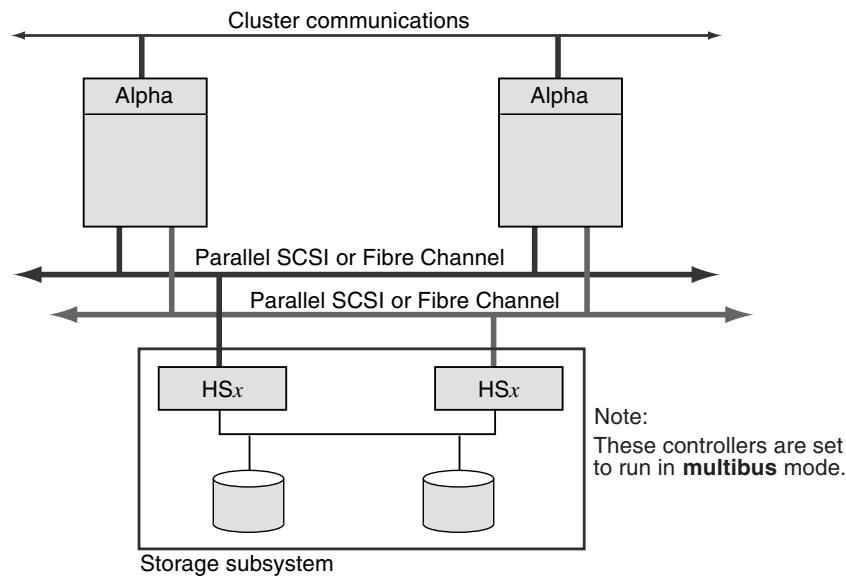
### 6.7 Implementing Multipath Configurations

- Optionally tailoring the operation of multipath functionality, using the DCL command `SET DEVICE/qualifier/PATH=path-identifier`.

#### 6.7.1 Valid Multipath Configurations

Figure 6–19 shows a valid multipath, multihost configuration.

**Figure 6–19 Two Hosts With Shared Buses and Shared Storage Controllers**



VM-0080A-AI

Note the following about this configuration:

- Each host has two adapters.
- Both hosts are connected to the same two buses.
- Both hosts share the storage.
- Each storage controller is connected to one bus only.
- The two storage controllers are connected to the same disks.

This configuration provides each host with two direct paths and one MSCP served path to each device.

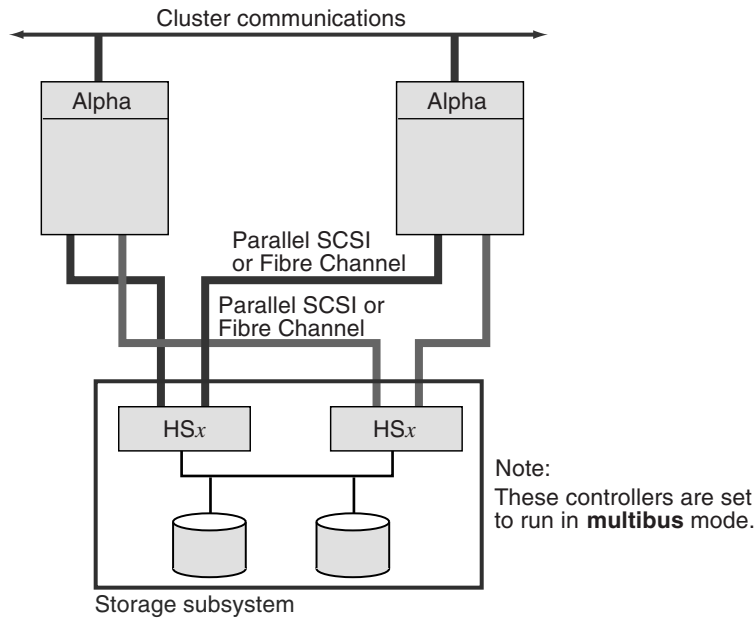
Figure 6–20 shows a valid multipath configuration for systems that are not configured on the same bus.



## Configuring Multiple Paths to SCSI and Fibre Channel Storage

### 6.7 Implementing Multipath Configurations

Figure 6–20 Two Hosts With Shared, Multiported Storage Controllers



VM-0089A-AI

Note the following about this configuration:

- Each host has two adapters.
- Each host is connected to two buses but the hosts do not share a bus.
- Both hosts share the storage.
- Each storage controller has two connections, one to each host.
- The two storage controllers are connected to the same disks.

This configuration provides each host with two direct paths, one to each storage controller, and one MSCP served path to each device.

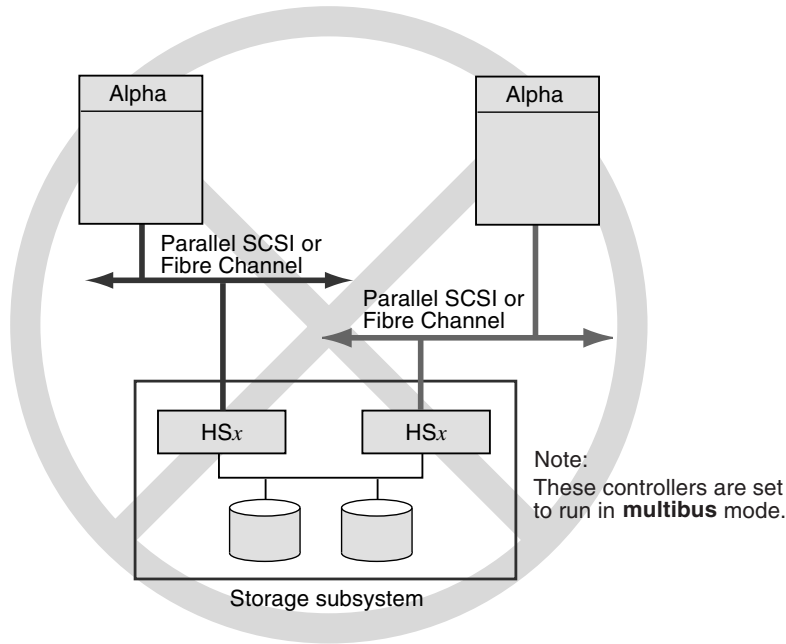
#### 6.7.2 Invalid Multipath Configuration

Figure 6–21 shows an invalid multipath configuration. The configuration is invalid because, if multiple hosts in a cluster are connected to an HSZ or HSG, they must all have connections to the same controller modules (see Table 6–1). In this configuration, each host is connected to a different controller module.

# Configuring Multiple Paths to SCSI and Fibre Channel Storage

## 6.7 Implementing Multipath Configurations

Figure 6–21 Invalid Multipath Configuration



### 6.7.3 Multipath System Parameters

Multipath support is enabled and qualified by the use of the system parameters described in Table 6–3. (Certain multipath system parameters are reserved for the operating system.)

Table 6–3 Multipath System Parameters

Parameter	Description
MPDEV_ENABLE	Enables the formation of multipath sets when set to ON (1). When set to OFF (0), the formation of additional multipath sets and the addition of new paths to existing multipath sets is disabled. However, existing multipath sets remain in effect. The default is ON.  MPDEV_REMOTE and MPDEV_AFB_INTVL have no effect when MPDEV_ENABLE is set to OFF.
MPDEV_LCRETRIES	Controls the number of times the system retries direct paths to the controller that the logical unit is on line to, before moving on to direct paths to the other controller, or to an MSCP served path to the device (MSCP paths apply only to disks). The valid range for retries is 1 through 256. The default is 1.
MPDEV_POLLER	Enables polling of the paths to multipath set members when set to ON (1). Polling allows early detection of errors on inactive paths. If a path becomes unavailable or returns to service, the system manager is notified with an OPCOM message. When set to OFF (0), multipath polling is disabled. The default is ON. Note that this parameter must be set to ON to use the automatic failback feature.

(continued on next page)

## Configuring Multiple Paths to SCSI and Fibre Channel Storage

### 6.7 Implementing Multipath Configurations

**Table 6–3 (Cont.) Multipath System Parameters**

Parameter	Description
MPDEV_REMOTE (disks only)	<p>Enables MSCP served paths to become members of a multipath set when set to ON (1). When set to OFF (0), only local paths to a SCSI or Fibre Channel device are used in the formation of additional multipath sets. MPDEV_REMOTE is enabled by default. However, setting this parameter to OFF has no effect on existing multipath sets that have remote paths.</p> <p>To use multipath failover to a served path, MPDEV_REMOTE must be enabled on all systems that have direct access to shared SCSI or Fibre Channel devices. The first release to provide this feature is OpenVMS Alpha Version 7.3–1. Therefore, all nodes on which MPDEV_REMOTE is enabled must be running OpenVMS Alpha Version 7.3–1 (or later). If MPDEV_ENABLE is set to OFF (0), the setting of MPDEV_REMOTE has no effect because the addition of all new paths to multipath sets is disabled. The default is ON.</p>
MPDEV_AFB_INTVL (disks only)	<p>Specifies the automatic failback interval in seconds. The automatic failback interval is the minimum number of seconds that must elapse before the system will attempt another failback from an MSCP path to a direct path on the same device.</p> <p>MPDEV_POLLER must be set to ON to enable automatic failback. You can disable automatic failback without disabling the poller by setting MPDEV_AFB_INTVL to 0. The default is 300 seconds.</p>
MPDEV_D1	Reserved for use by the operating system.
MPDEV_D2	Reserved for use by the operating system.
MPDEV_D3	Reserved for use by the operating system.
MPDEV_D4	Reserved for use by the operating system.

#### 6.7.4 Path Identifiers

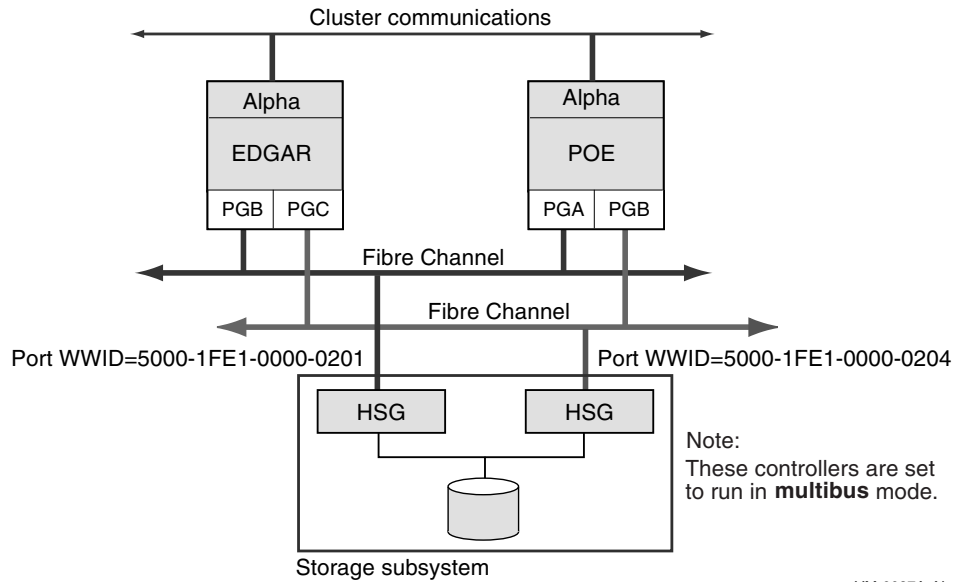
The system management commands described in the following sections allow you to monitor and control the operation of multipath failover. These commands provide a path identifier to uniquely specify each path in a multipath set.

Direct Fibre Channel paths are identified by the local host adapter name and the remote Fibre Channel port WWID — that is, the initiator and the target. For example, in Figure 6–22, the path identifier for the path from the host adapter on the left to the HSG storage controller on the left is PGB0.5000-1FE1-0000-0201. (The second port on each HSG is omitted for convenience.) You can obtain the WWID for a storage controller from its console.

# Configuring Multiple Paths to SCSI and Fibre Channel Storage

## 6.7 Implementing Multipath Configurations

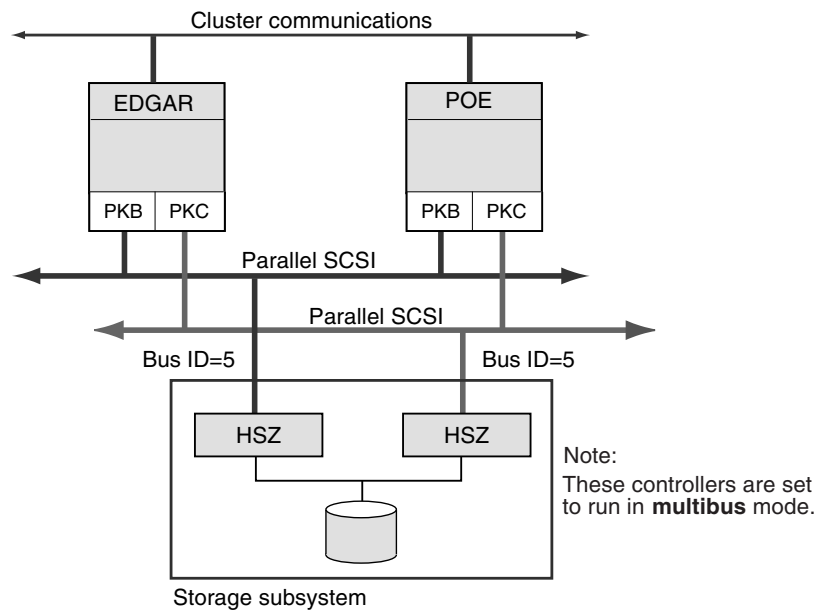
Figure 6–22 Fibre Channel Path Naming



Direct parallel SCSI paths are identified by the local host adapter name and the remote SCSI bus ID — that is, the initiator and the target. For example, in Figure 6–23, the path identifiers for node Edgar’s two direct paths to the disk would be named PKB0.5 and PKC0.5.

The path identifier for MSCP served paths is MSCP.

Figure 6–23 Configuration With Multiple Direct Paths



# Configuring Multiple Paths to SCSI and Fibre Channel Storage

## 6.7 Implementing Multipath Configurations

### 6.7.5 Displaying Paths

When multipath support is enabled, you can display the multiple paths to a device using either of the following variants of the SHOW DEVICE DCL command:

```
SHOW DEVICE/FULL device-name
```

```
SHOW DEVICE/MULTIPATH_SET device-name
```

The SHOW DEVICE/FULL *device-name* command displays the traditional information about the device first and then lists all the paths to a device by their path identifiers (described in Section 6.7.4).

The SHOW DEVICE/MULTIPATH\_SET *device-name* command lists only some brief multipath information about devices that have multiple paths.

Multipath information is displayed only on nodes that are directly connected to the multipath device.

#### 6.7.5.1 Displaying Paths With SHOW DEVICE/FULL

The following example shows the output of a SHOW DEVICE/FULL *device-name* command. Note that the use of multiple paths is shown at the beginning of the display (device has multiple I/O paths), and the multiple path descriptions are shown toward the end of the display, beneath I/O paths to device. Note, too, that the values for Error count and Operations completed shown at the beginning of the display are the sums of the counts for each path.

```
$ SHOW DEVICE/FULL $1$DGA23:
```

```
Disk $1$DGA23: (WILD8), device type HSG80, is online, mounted, file-oriented device, shareable, device has multiple I/O paths, served to cluster via MSCP Server, error logging is enabled.
```

Error count	3	Operations completed	32814199
Owner process	" "	Owner UIC	[SYSTEM]
Owner process ID	00000000	Dev Prot	S:RWPL,O:RWPL,G:R,W
Reference count	9	Default buffer size	512
WWID	01000010:6000-1FE1-0000-0D10-0009-8090-0677-0034		
Total blocks	17769177	Sectors per track	169
Total cylinders	5258	Tracks per cylinder	20
Host name	"WILD8"	Host type, avail Compaq AlphaServer GS160 6/731, yes	
Alternate host name	"W8GLX1"	Alt. type, avail Compaq AlphaServer GS160 6/731, yes	
Allocation class	1		
Volume label	"S5SH_V72_SSS"	Relative volume number	0
Cluster size	18	Transaction count	8
Free blocks	12812004	Maximum files allowed	467609
Extend quantity	5	Mount count	8
Mount status	System	Cache name	"_ \$1\$DGA8:XQPCACHE"
Extent cache size	64	Maximum blocks in extent cache	1281200
File ID cache size	64	Blocks currently in extent cache	0
Quota cache size	0	Maximum buffers in FCP cache	1594
Volume owner UIC	[1,1]	Vol Prot	S:RWCD,O:RWCD,G:RWCD,W:RWCD

```
Volume Status: ODS-2, subject to mount verification, file high-water marking, write-back caching enabled.
```

```
Volume is also mounted on H20FRD, FIBRE3, NORLMN, SISK0, BOOLA, FLAM10, W8GLX1.
```

## Configuring Multiple Paths to SCSI and Fibre Channel Storage

### 6.7 Implementing Multipath Configurations

```

I/O paths to device          5
Path PGA0.5000-1FE1-0000-0D12 (WILD8), primary path.
  Error count                2 Operations completed          130666
Path PGA0.5000-1FE1-0000-0D13 (WILD8), current path.
  Error count                1 Operations completed          30879310
Path PGA0.5000-1FE1-0000-0D11 (WILD8).
  Error count                0 Operations completed          130521
Path PGA0.5000-1FE1-0000-0D14 (WILD8).
  Error count                0 Operations completed          130539
Path MSCP (W8GLX1).
  Error count                0 Operations completed          1543163

```

For each path of the multipath device, the path identifier, the host name associated with that path, the path status, the error count, and the operations count are displayed.

The terms that may appear in the multiple paths portion of the display are described in Table 6–4.

**Table 6–4 SHOW DEVICE/FULL Multipath Terms**

Term	Description
WWID	The worldwide ID of the SCSI logical unit.
Host name	The name of the system that is being used by the current path. The host name is displayed if there is an MSCP path to a multipath device.
Alternate host name	The name of another system that can also provide access to the device. If the current path is a direct path, this will be the host currently associated with the MSCP path. If the current path is an MSCP path, this will be the name of the local system. The alternate host name is displayed if there is an MSCP path to a multipath disk device.
Primary path	This was the first path to the device found by the operating system.
Current path	This path is currently used for I/O.
User disabled	The DCL command SET DEVICE/NOENABLE has been executed for this path.
Polling disabled	The DCL command SET DEVICE/NOPLL has been executed for this path.
Not responding	This path to the device was unusable the last time it was checked. Typically, the multipath poller checks every 60 seconds if the path is good and every 30 seconds if the path is bad.
Unavailable	The path is unavailable because the software driver has disconnected from the path.

#### 6.7.5.2 Displaying Paths With SHOW DEVICE/MULTIPATH\_SET

You can obtain a brief listing of multiple paths for a specific device, for all the devices in an allocation class, or for all devices with the DCL command:

```
SHOW DEVICE/MULTIPATH_SET [device-name]
```

The device name is optional; when omitted, all devices that have formed multipath sets are shown. For each multipath device found, the device name, host name, device status, error count, number of accessible paths, total number of paths, and the current path's path identifier are displayed.

## Configuring Multiple Paths to SCSI and Fibre Channel Storage

### 6.7 Implementing Multipath Configurations

The number of accessible paths can be less than the total number of paths for two reasons:

- A system manager disabled the path with the command SET DEVICE/PATH=*pathname*/NOENABLE.
- If a path is designated as Not Responding, the operating system decrements the total number of paths. This action was introduced in OpenVMS Alpha Version 7.3-1.

The host name displayed is the host name of the current path. For direct paths, this will be the local system's host name. For MSCP served paths, this will be the host name of the remote system which is serving access to the device.

The following example shows the output of a SHOW DEVICE/MULTIPATH command.

```
$ SHOW DEVICE/MULTIPATH
Device          Device          Error Paths Current
Name            Status          Count Avl/Tot  path
$1$DGA8:      (H2OFRD) Mounted          3   5/ 5  PGA0.5000-1FE1-0000-0D12
$1$DGA10:     (H2OFRD) ShadowSetMember  1   5/ 5  PGA0.5000-1FE1-0000-0D14
$1$DGA11:     (WILD8)  ShadowSetMember  3   3/ 3  MSCP
$1$DGA23:     (H2OFRD) Mounted          6   5/ 5  PGA0.5000-1FE1-0000-0D13
$1$DGA30:     (H2OFRD) ShadowSetMember  8   5/ 5  PGA0.5000-1FE1-0000-0D13
$1$DGA31:     (WILD8)  ShadowMergeMbr   5   3/ 3  MSCP
$1$DGA33:     (H2OFRD) Online           0   5/ 5  PGA0.5000-1FE1-0000-0D12
$1$DGA40:     (H2OFRD) Mounted          2   5/ 5  PGA0.5000-1FE1-0000-0D13
$1$DGA41:     (H2OFRD) ShadowMergeMbr  8   5/ 5  PGA0.5000-1FE1-0000-0D12
$70$DKA100:   (H2OFRD) Mounted          0   3/ 3  PKD0.1
$70$DKA104:   (H2OFRD) ShadowSetMember  0   3/ 3  PKD0.1
$70$DKA200:   (H2OFRD) ShadowSetMember  0   3/ 3  PKD0.2
$70$DKA300:   (H2OFRD) ShadowSetMember  0   3/ 3  PKC0.3
$80$DKA1104:  (H2OFRD) ShadowSetMember  0   3/ 3  PKD0.11
$80$DKA1200:  (H2OFRD) ShadowSetMember  0   3/ 3  PKD0.12
$80$DKA1204:  (H2OFRD) ShadowSetMember  0   3/ 3  PKC0.12
$80$DKA1207:  (H2OFRD) Mounted          0   3/ 3  PKD0.12
$80$DKA1300:  (H2OFRD) Mounted          0   3/ 3  PKD0.13
$80$DKA1307:  (H2OFRD) ShadowSetMember  0   3/ 3  PKD0.13
$80$DKA1500:  (H2OFRD) Mounted          0   3/ 3  PKD0.15
$80$DKA1502:  (H2OFRD) ShadowSetMember  0   3/ 3  PKD0.15
```

If you choose to specify a partial device name, such as \$70\$DKA, the display shows all devices with multiple paths whose names begin with \$70\$DKA.

#### 6.7.6 Path Polling

When SCSI multipath support is in effect, the system periodically polls all the I/O paths from each host adapter to each HSZ or HSG controller or to an MDR to determine the status of each I/O path. If the system detects any changes to a path, it outputs a message, similar to the following messages, to the console and to the operator's log:

```
All multipath devices on path PKB0.5 are either disabled or not reachable.
```

or

```
At least one multipath device on path PKB0.5 is enabled and reachable.
```

If all the devices on a path are removed, a path failure is reported. The path from the host to the HSx controller may still function, but this cannot be determined when there are no devices to poll.

## Configuring Multiple Paths to SCSI and Fibre Channel Storage

### 6.7 Implementing Multipath Configurations

You can turn polling on or off with the following command:

```
SET DEVICE device/[NO]POLL/PATH=path-identifier
```

Turning off polling for a path that will be out of service for a prolonged period is useful because it can reduce system overhead.

#### 6.7.7 Switching Current Paths Manually

You can switch a device's current path manually using the SET DEVICE command with the /SWITCH qualifier. The most common reason for doing this is to balance the aggregate I/O load across multiple HSx controller modules, MDRs, and buses.

The command syntax for switching the current path is:

```
SET DEVICE device-name/SWITCH/PATH=path-identifier
```

This command requires the OPER privilege. Additionally, if the device is currently allocated by another process, as tape devices often are, the SHARE privilege is needed.

The following command switches the path of device \$2\$DKA502 to an MSCP served path.

```
$ SET DEVICE $2$DKA502/SWITCH/PATH=MSCP
```

Note that this command initiates the process of switching the path and then returns to the DCL prompt immediately. A delay may occur between when the DCL prompt reappears and when the path switch is complete.

A manual path switch of a mounted device takes place within mount verification, which is triggered by the path switch command. It is accompanied by the usual mount verification messages and a path switch message, as shown in Example 6-1.

#### Example 6-1 Messages Resulting from Manual Path Switch

```
%%%%%%%%%% OPCOM 15-JUN-2001 09:04:23.05 %%%%%%%%%%%
Device $1$DGA23: (H2OFRD PGA) is offline.
Mount verification is in progress.

%%%%%%%%%% OPCOM 15-JUN-2001 09:04:25.76 %%%%%%%%%%%
09:04:25.76 Multipath access to device $1$DGA23: has been manually switched
from path PGA0.5000-1FE1-0000-0D11 to path PGA0.5000-1FE1-0000-0D14

%%%%%%%%%% OPCOM 15-JUN-2001 09:04:25.79 %%%%%%%%%%%
Mount verification has completed for device $1$DGA23: (H2OFRD PGA)
```

You can check for completion of a path switch by issuing the SHOW DEVICE/FULL command, or the SHOW DEVICE/MULTIPATH command.

Note that if the path that is designated in a manual path switch fails during the switch operation, then automatic path switching takes over. This can result in a switch to a path different from the one designated in the command.

If a manual path switch causes a logical unit to switch from one HSG80 controller to another controller, then the command can affect other nodes in the cluster. These nodes will experience a mount verification on their current path, causing an automatic switch to a path on the other HSG80 controller. Example 6-2 shows the messages that indicate this event.



## Configuring Multiple Paths to SCSI and Fibre Channel Storage

### 6.7 Implementing Multipath Configurations

#### Example 6–2 Messages Displayed When Other Nodes Detect a Path Switch

```
%%%%%%%%%% OPCOM 15-JUN-2001 09:04:26.48 %%%%%%%%%%%
Device $1$DGA23: (WILD8 PGA, H20FRD) is offline.
Mount verification is in progress.

%%%%%%%%%% OPCOM 15-JUN-2001 09:04:26.91 %%%%%%%%%%%
09:04:29.91 Multipath access to device $1$DGA23: has been auto switched from
path PGA0.5000-1FE1-0000-0D12 (WILD8) to path PGA0.5000-1FE1-0000-0D13 (WILD8)

%%%%%%%%%% OPCOM 15-JUN-2001 09:04:27.12 %%%%%%%%%%%
Mount verification has completed for device $1$DGA23: (WILD8 PGA, H20FRD)
```

The WILD8 node name is displayed for each path because each path is a direct path on node WILD8. The node name field in the mount verification in progress and completed messages shows both a local path and an MSCP alternative. In this example, the WILD8 PGA, H20FRD name shows that a local PGA path on WILD8 is being used and that an MSCP path via node H20FRD is an alternative.

#### 6.7.8 Path Selection by OpenVMS

The selection of the current path to a multipath device is determined by the device type as well as by the event that triggered path selection.

##### Path Selection for Initial Configuration at System Startup

When a new path to a multipath disk (DG, DK) or tape device (MG) is configured, the path chosen automatically as the current path is the direct path with the fewest devices. No operator messages are displayed when this occurs. (This type of path selection is introduced in OpenVMS Alpha Version 7.3-1.) A DG, DK, or MG device is eligible for this type of path selection until the device's first use after a system boot or until a manual path switch is performed by means of the SET DEVICE/SWITCH command.

When a new path to a generic multipath SCSI device (GG, GK) is configured, the path chosen automatically as the current path is the first path discovered, which is also known as the primary path. For GG and GK devices, the primary path remains the current path even as new paths are configured. GG and GK devices are typically the console LUNs for HSG or HSV controller LUNs or for tape media robots.

##### Path Selection When Mounting a Disk Device

The current path to a multipath disk device can change as a result of a MOUNT command. The I/O performed by the MOUNT command triggers a search for a direct path that does not require the disk device to fail over from one HSx controller to another.

The path selection initiated by a MOUNT command on a DG or DK disk device proceeds as follows:

1. If the current path is a direct path and access to the device on this path does not require a controller failover, the current path is used.
2. If the current path is an MSCP path and it was selected by a manual path switch command, the current path is used.
3. All direct paths are checked, starting with the path that is the current path for the fewest devices. The direct paths are considered in order of increasing use as a current path for other devices. If a path is found on which access to the device does not require a controller failover, that path is selected. If the

## Configuring Multiple Paths to SCSI and Fibre Channel Storage

### 6.7 Implementing Multipath Configurations

selected path is not the current path, an automatic path switch is performed and an OPCOM message is issued.

4. All direct paths are tried, starting with the path that is the current path for the fewest devices. The direct paths are considered in order of increasing use as a current path for other devices. If necessary, an attempt is made to fail over the device to the HSx controller on the selected path. If the selected path is not the current path, an automatic path switch is performed and an OPCOM message is issued.
5. The MSCP served path is tried. If the MSCP path is not the current path, an automatic path switch is performed and an OPCOM message is issued.

The MOUNT utility might trigger this path selection algorithm a number of times until a working path is found. The exact number of retries depends on both the time elapsed for the prior attempts and the qualifiers specified with the MOUNT command.

This path selection process, introduced in OpenVMS Alpha Version 7.3-1, has the following benefits:

- Minimizes the disruption on other hosts in the cluster.
- Tends to preserve any static load balancing that has been manually set up on other nodes in the cluster.
- Enables the use of HSx console commands to set up an initial default distribution of devices between the two HSx controllers.
- Tends to balance the use of available paths from this host to the disk devices.
- Prefers direct paths over MSCP served paths.

Note that this selection process allows devices to be distributed between the two HSx controllers. You can accomplish this by using HSx console commands, such as the following:

```
HSG> SET UNIT PREFERRED_PATH=THIS_CONTROLLER
HSG> SET UNIT PREFERRED_PATH=OTHER_CONTROLLER
```

In addition, you can use the DCL commands for manual path switching described in Section 6.7.7, to select a different host bus adapter or a different port on the same HSx controller, or to force the device to fail over to a different HSx controller.

#### Path Selection When Mounting Tape Drive Device

Support for multipath tape drives and this type of path selection was introduced in OpenVMS Alpha Version 7.3-1. Path selection when the MOUNT command is issued differs somewhat between multipath tape drives and disk devices for several reasons:

- Tape drives are not concurrently shareable by multiple hosts.
- Tape drives do not present the same concerns as disks do for disrupting I/O being performed by another host.
- There is no failover between direct and MSCP served paths to multipath tape devices.

The path selection initiated by a MOUNT command on an MG tape drive device proceeds as follows:

1. The current path is used if possible, even if a controller failover is required.

## Configuring Multiple Paths to SCSI and Fibre Channel Storage

### 6.7 Implementing Multipath Configurations

2. The direct paths are checked, starting with the path that is the current path for the fewest devices. The direct paths are considered in order of increasing use as a current path for other devices. If a path is found on which access to the device does not require a controller failover, that path is selected. If the selected path is not the current path, an automatic path switch is performed and an OPCOM message is issued.
3. The direct paths are checked again, starting with the path that is the current path for the fewest devices. The direct paths are considered in order of increasing use as a current path for other devices. If the selected path is useable and is not the current path an automatic path switch is performed and an OPCOM message is issued.

#### 6.7.9 How OpenVMS Performs Multipath Failover

When an I/O operation fails on a device that is subject to mount verification, and the failure status suggests that retries are warranted, mount verification is invoked. If the device is a multipath device or a shadow set that includes multipath devices, alternate paths to the device are automatically tried during mount verification. This allows the system to recover transparently from cases in which the device has failed over from one HSx controller or MDR to another, and to recover transparently from failures in the path to the device.

The following devices are subject to mount verification:

- Disk devices that are mounted as Files-11 volumes, including host-based volume shadowing sets
- Tape devices that are mounted as ANSI tape volumes
- Tape devices that are mounted as foreign volumes

Note that foreign mounted disk volumes and generic SCSI devices (GG and GK) are not subject to mount verification and, therefore, are not eligible for automatic multipath failover.

Path selection during mount verification proceeds as follows:

1. If the current path is a direct path and access to the device on this path does not require controller failover, the current path is tried.
2. If the current path is an MSCP path and it was selected by a manual path switch command, the current path is tried (disks only).
3. All direct paths are checked, starting with the path that is the current path for the fewest devices. The direct paths are considered in order of increasing use as a current path for other devices. If a path is found on which access to the device does not require a controller failover, that path is selected.
4. Step 3 is repeated the number of times specified by the MPDEV\_LCRETRIES system parameter. This provides additional bias toward selection of a path that does not require an HSx or MDR controller failover. The default value for MPDEV\_LCRETRIES is 1.
5. All direct paths are tried, starting with the path that is the current path for the fewest devices. The direct paths are considered in order of increasing use as a current path for other devices. If necessary, an attempt is made to fail over the device to the HSx or MDR controller on the selected path.
6. If present, the MSCP served path is tried (disks only).

## Configuring Multiple Paths to SCSI and Fibre Channel Storage

### 6.7 Implementing Multipath Configurations

Steps 1 through 6 are repeated until either a working path is found or mount verification times out. If a working path is found and the path is different, the current path is automatically switched to the new path and an OPCOM message is issued. Mount verification then completes, the failed I/O is restarted, and new I/O is allowed to proceed. This path selection procedure attempts to avoid unnecessary failover of devices from one HSx controller to another because:

- Failover from one HSx controller module to another causes a delay of approximately 1 to 15 seconds, depending on the amount of cached data that needs to be synchronized.
- Other nodes that share access to the device must reestablish communication using an alternate path.

This path selection procedure prefers direct paths over MSCP served paths because the use of an MSCP served path imposes additional CPU and I/O overhead on the server system. In contrast, the use of a direct path imposes no additional CPU or I/O overhead on the MSCP-server system. This procedure selects an MSCP served path only if none of the available direct paths are working. Furthermore, this path selection procedure tends to balance the use of available direct paths, subject to the constraint of avoiding unnecessary controller failovers.

#### 6.7.10 Automatic Failback to a Direct Path (Disks Only)

Multipath failover, as described in Section 6.7.9, applies to MSCP served paths as well. That is, if the current path is via an MSCP served path and the served path fails, mount verification can trigger an automatic failover back to a working direct path.

However, an I/O error on the MSCP path is required to trigger the failback to a direct path. Consider the following sequence of events:

- A direct path is being used to a device.
- All direct paths fail and the next I/O to the device fails.
- Mount verification provokes an automatic path switch to the MSCP served path.
- Sometime later, a direct path to the device is restored.

In this case, the system would continue to use the MSCP served path to the device, even though the direct path is preferable. This is because no error occurred on the MSCP served path to provoke the path selection procedure.

The automatic failback feature is designed to address this situation. Multipath polling attempts to fail back the device to a direct path when it detects that all of the following conditions apply:

- A direct path to a device is responsive.
- The current path to the device is an MSCP served path.
- The current path was not selected by a manual path switch.
- An automatic failback has not been attempted on this device within the last `MPDEV_AFB_INTVL` seconds.

The automatic failback is attempted by triggering mount verification and, as a result, the automatic failover procedure on the device.

## Configuring Multiple Paths to SCSI and Fibre Channel Storage

### 6.7 Implementing Multipath Configurations

The main purpose of multipath polling is to test the status of unused paths in order to avoid situations such as the following:

- A system has paths A and B to a device.
- The system is using path A.
- If path B becomes inoperative, it goes unnoticed.
- Much later, and independently, path A breaks.
- The system attempts to fail over to path B but finds that it is broken.

The poller would detect the failure of path B within 1 minute of its failure and would issue an OPCOM message. An alert system manager can initiate corrective action immediately.

Note that a device might successfully respond to the SCSI INQUIRY commands that are issued by the path poller but might fail to complete a path switch or mount verification successfully on that path. A system manager or operator can control automatic failback in three ways:

1. Specify the minimum interval between automatic failback attempts on any given device by the `MPDEV_AFB_INTVL` system parameter. The default value is 300 seconds.
2. Prevent automatic failback by setting the value of `MPDEV_AFB_INTVL` to 0. If set to 0, no automatic failback is attempted on any device on this system.
3. Temporarily disable automatic failback on a specific device by manually switching the device to the MSCP served path. You can do this even if the current path is an MSCP served path.

Because of the path selection procedure, the automatic failover procedure, and the automatic failback feature, the current path to a mounted device is usually a direct path when there are both direct and MSCP served paths to that device. The primary exceptions to this are when the path has been manually switched to the MSCP served path or when there are no working direct paths.

#### 6.7.11 Enabling or Disabling Paths as Path Switch Candidates

By default, all paths are candidates for path switching. You can disable or re-enable a path as a switch candidate by using the `SET DEVICE` command with the `/[NO]ENABLE` qualifier. The reasons you might want to do this include the following:

- You know a specific path is broken, or that a failover to that path will cause some members of the cluster to lose access.
- To prevent automatic switching to a selected path while it is being serviced.

Note that the current path cannot be disabled.

The command syntax for enabling a disabled path is:

```
SET DEVICE device-name/[NO]ENABLE/PATH=path-identifier
```

The following command enables the MSCP served path of device `$2$DKA502`.

```
$ SET DEVICE $2$DKA502/ENABLE/PATH=MSCP
```

The following command disables a local path of device `$2$DKA502`.

```
$ SET DEVICE $2$DKA502/ENABLE/PATH=PKC0.5
```

## Configuring Multiple Paths to SCSI and Fibre Channel Storage

### 6.7 Implementing Multipath Configurations

Be careful when disabling paths. Avoid creating an invalid configuration, such as the one shown in Figure 6–21.

#### 6.7.12 Performance Considerations

The presence of an MSCP served path in a disk multipath set has no measurable effect on steady-state I/O performance when the MSCP path is not the current path.

Note that the presence of an MSCP served path in a multipath set might increase the time it takes to find a working path during mount verification under certain, unusual failure cases. Because direct paths are tried first, the presence of an MSCP path should not affect recovery time.

However, the ability to switch dynamically from a direct path to an MSCP served path might significantly increase the I/O serving load on a given MSCP server system with a direct path to the multipath disk storage. Because served I/O takes precedence over almost all other activity on the MSCP server, failover to an MSCP served path can affect the responsiveness of other applications on that MSCP server, depending on the capacity of the server and the increased rate of served I/O requests.

For example, a given OpenVMS Cluster configuration might have sufficient CPU and I/O bandwidth to handle an application work load when all the shared SCSI storage is accessed by direct SCSI paths. Such a configuration might be able to work acceptably as failures force a limited number of devices to switch over to MSCP served paths. However, as more failures occur, the load on the MSCP served paths could approach the capacity of the cluster and cause the performance of the application to degrade to an unacceptable level.

The `MSCP_BUFFER` and `MSCP_CREDITS` system parameters allow the system manager to control the resources allocated to MSCP serving. If the MSCP server does not have enough resources to serve all incoming I/O requests, performance will degrade on systems that are accessing devices on the MSCP path on this MSCP server.

You can use the `MONITOR MSCP` command to determine whether the MSCP server is short of resources. If the Buffer Wait Rate is nonzero, the MSCP server has had to stall some I/O while waiting for resources.

It is not possible to recommend correct values for these parameters. However, note that, starting with OpenVMS Alpha Version 7.2-1, the default value for `MSCP_BUFFER` has been increased from 128 to 1024.

As noted in the online help for the `SYSGEN` utility, `MSCP_BUFFER` specifies the number of pagelets to be allocated to the MSCP server's local buffer area, and `MSCP_CREDITS` specifies the number of outstanding I/O requests that can be active from one client system. For example, a system with many disks being served to several OpenVMS systems might have `MSCP_BUFFER` set to a value of 4000 or higher and `MSCP_CREDITS` set to 128 or higher.

For information about modifying system parameters, see the *HP OpenVMS System Manager's Manual*.

HP recommends that you test configurations that rely on failover to MSCP served paths at the worst-case load level for MSCP served paths. If you are configuring a multiple-site disaster-tolerant cluster that uses a multiple-site SAN, consider the possible failures that can partition the SAN and force the use of MSCP served paths. In a symmetric dual-site configuration, HP recommends that you provide



## Configuring Multiple Paths to SCSI and Fibre Channel Storage

### 6.7 Implementing Multipath Configurations

capacity for 50 percent of the SAN storage to be accessed by an MSCP served path.

You can test the capacity of your configuration by using manual path switching to force the use of MSCP served paths.

#### 6.7.13 Console Considerations

This section describes how to use the console with parallel SCSI multipath disk devices. See Section 7.6 for information on using the console with FC multipath devices.

The console uses traditional, path-dependent, SCSI device names. For example, the device name format for disks is DK, followed by a letter indicating the host adapter, followed by the SCSI target ID, and the LUN.

This means that a multipath device will have multiple names, one for each host adapter it is accessible through. In the following sample output of a console show device command, the console device name is in the left column. The middle column and the right column provide additional information, specific to the device type.

Notice, for example, that the devices dkb100 and dkc100 are really two paths to the same device. The name dkb100 is for the path through adapter PKB0, and the name dkc100 is for the path through adapter PKC0. This can be determined by referring to the middle column, where the informational name includes the HSZ allocation class. The HSZ allocation class allows you to determine which console “devices” are really paths to the same HSZ device.

---

#### Note

---

The console may not recognize a change in the HSZ allocation class value until after you issue a console INIT command.

---

```
>>>sho dev
dkb0.0.0.12.0          $55$DKB0          HSZ70CCL  XB26
dkb100.1.0.12.0       $55$DKB100        HSZ70     XB26
dkb104.1.0.12.0       $55$DKB104        HSZ70     XB26
dkb1300.13.0.12.0     $55$DKB1300       HSZ70     XB26
dkb1307.13.0.12.0     $55$DKB1307       HSZ70     XB26
dkb1400.14.0.12.0     $55$DKB1400       HSZ70     XB26
dkb1500.15.0.12.0     $55$DKB1500       HSZ70     XB26
dkb200.2.0.12.0       $55$DKB200        HSZ70     XB26
dkb205.2.0.12.0       $55$DKB205        HSZ70     XB26
dkb300.3.0.12.0       $55$DKB300        HSZ70     XB26
dkb400.4.0.12.0       $55$DKB400        HSZ70     XB26
dkc0.0.0.13.0         $55$DKC0          HSZ70CCL  XB26
dkc100.1.0.13.0       $55$DKC100        HSZ70     XB26
dkc104.1.0.13.0       $55$DKC104        HSZ70     XB26
dkc1300.13.0.13.0     $55$DKC1300       HSZ70     XB26
dkc1307.13.0.13.0     $55$DKC1307       HSZ70     XB26
dkc1400.14.0.13.0     $55$DKC1400       HSZ70     XB26
dkc1500.15.0.13.0     $55$DKC1500       HSZ70     XB26
dkc200.2.0.13.0       $55$DKC200        HSZ70     XB26
dkc205.2.0.13.0       $55$DKC205        HSZ70     XB26
dkc300.3.0.13.0       $55$DKC300        HSZ70     XB26
dkc400.4.0.13.0       $55$DKC400        HSZ70     XB26
dva0.0.0.1000.0       DVA0
ewa0.0.0.11.0         EWA0              08-00-2B-E4-CF-0B
pka0.7.0.6.0          PKA0              SCSI Bus ID 7
pkb0.7.0.12.0         PKB0              SCSI Bus ID 7 5.54
```

## Configuring Multiple Paths to SCSI and Fibre Channel Storage

### 6.7 Implementing Multipath Configurations

pkc0.7.0.13.0

PKC0

SCSI Bus ID 7 5.54

The console does not automatically attempt to use an alternate path to a device if I/O fails on the current path. For many console commands, however, it is possible to specify a list of devices that the console will attempt to access in order. In a multipath configuration, you can specify a list of console device names that correspond to the multiple paths of a device. For example, a boot command, such as the following, will cause the console to attempt to boot the multipath device through the DKB100 path first, and if that fails, it will attempt to boot through the DKC100 path:

```
BOOT DKB100, DKC100
```



---

## Configuring Fibre Channel as an OpenVMS Cluster Storage Interconnect

A major benefit of OpenVMS is its support of a wide range of interconnects and protocols for network configurations and for OpenVMS Cluster System configurations. This chapter describes OpenVMS support for Fibre Channel as a storage interconnect for single systems and as a shared storage interconnect for multihost OpenVMS Cluster systems. With few exceptions, as noted, this chapter applies equally to OpenVMS Alpha systems and OpenVMS I64 systems.

The following topics are discussed:

- Overview of OpenVMS Fibre Channel support (Section 7.1)
- Fibre Channel configuration support (Section 7.2)
- Example configurations (Section 7.3)
- Fibre Channel addresses, WWIDs, and device names (Section 7.4)
- Fibre Channel tape support (Section 7.5)
- Using the AlphaServer console for configuring Fibre Channel (Section 7.6)
- Booting on a Fibre Channel Storage Device on OpenVMS I64 Systems (Section 7.7)
- Setting up a storage controller for use with OpenVMS (Section 7.8)
- Creating a cluster with a shared Fibre Channel system disk (Section 7.9)
- Using interrupt coalescing for I/O performance gains (Section 7.10)
- Using Fast Path in your configuration (Section 7.11)
- Using FIBRE\_SCAN for displaying devices (Section 7.12)

For information about multipath support for Fibre Channel configurations, see Chapter 6.

# Configuring Fibre Channel as an OpenVMS Cluster Storage Interconnect

---

## Note

---

The Fibre Channel interconnect is shown generically in the figures in this chapter. It is represented as a horizontal line to which the node and storage subsystems are connected. Physically, the Fibre Channel interconnect is always radially wired from a switch, as shown in Figure 7-1.

The representation of multiple SCSI disks and SCSI buses in a storage subsystem is also simplified. The multiple disks and SCSI buses, which one or more HSGx controllers serve as a logical unit to a host, are shown in the figures as a single logical unit.

For ease of reference, the term HSG, which represents a Fibre Channel hierarchical storage controller, is used throughout this chapter to represent both an HSG60 and an HSG80, except where it is important to note any difference, as in Table 7-2.

---

## 7.1 Overview of OpenVMS Fibre Channel Support

Fibre Channel is an ANSI standard network and storage interconnect that offers many advantages over other interconnects. Its most important features and the support offered by OpenVMS for these features are shown in Table 7-1.

**Table 7-1 Fibre Channel Features and OpenVMS Support**

Feature	OpenVMS Support
High-speed transmission	OpenVMS supports 2 Gb/s, full-duplex, serial interconnect (can simultaneously transmit and receive 200 MB of data per second).
Choice of media	OpenVMS supports fiber-optic media.
Long interconnect distances	OpenVMS supports multimode fiber-optic media at 500 meters per link and single-mode fiber-optic media (for interswitch links [ISLs]) for distances up to 100 kilometers per link.
Multiple protocols	OpenVMS supports SCSI-3. Possible future support for IP.
Numerous topologies	OpenVMS supports switched FC (highly scalable, multiple concurrent communications) and multiple switches (fabric). Support is planned for arbitrated loop on the StorageWorks Modular Storage Array (MSA) 1000 storage system, only, and will be announced on the OpenVMS home page: <a href="http://www.hp.com/go/openvms">http://www.hp.com/go/openvms</a> .

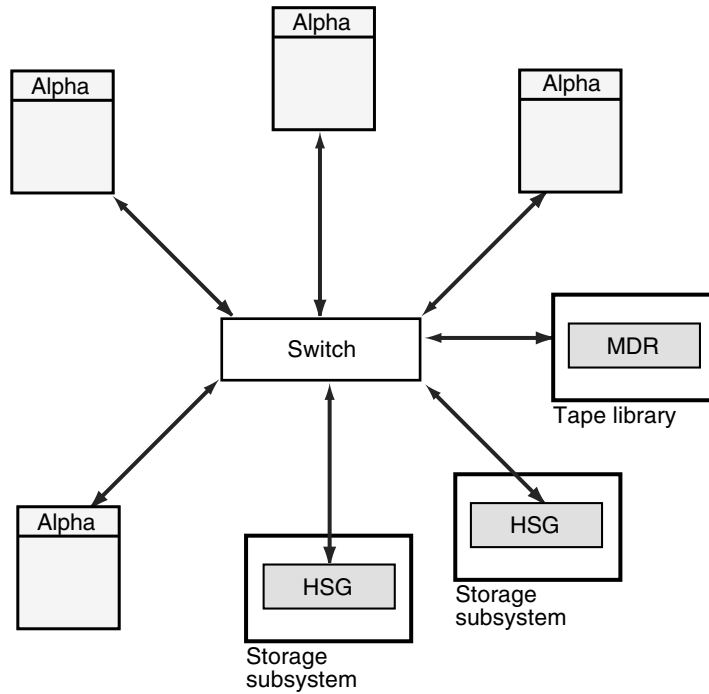
---

# Configuring Fibre Channel as an OpenVMS Cluster Storage Interconnect

## 7.1 Overview of OpenVMS Fibre Channel Support

Figure 7–1 shows a logical view of a switched topology. The FC nodes are either Alpha hosts, or storage subsystems. Each link from a node to the switch is a dedicated FC connection. The switch provides store-and-forward packet delivery between pairs of nodes. Concurrent communication between disjoint pairs of nodes is supported by the switch.

**Figure 7–1 Switched Topology (Logical View)**



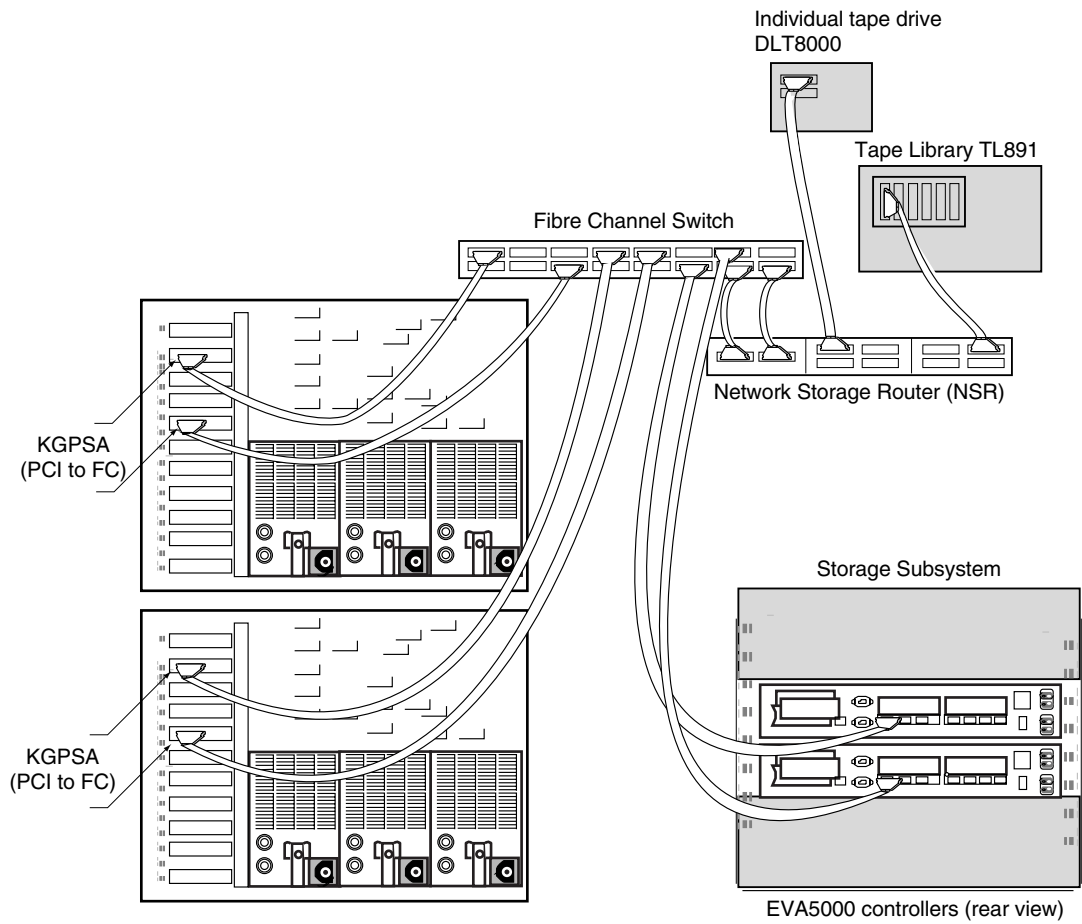
VM-0094A-AI

# Configuring Fibre Channel as an OpenVMS Cluster Storage Interconnect

## 7.1 Overview of OpenVMS Fibre Channel Support

Figure 7–2 shows a physical view of a Fibre Channel switched topology. The configuration in Figure 7–2 is simplified for clarity. Typical configurations will have multiple Fibre Channel interconnects for high availability, as shown in Section 7.3.4.

Figure 7–2 Switched Topology (Physical View)



VM-0123A-AI

# Configuring Fibre Channel as an OpenVMS Cluster Storage Interconnect

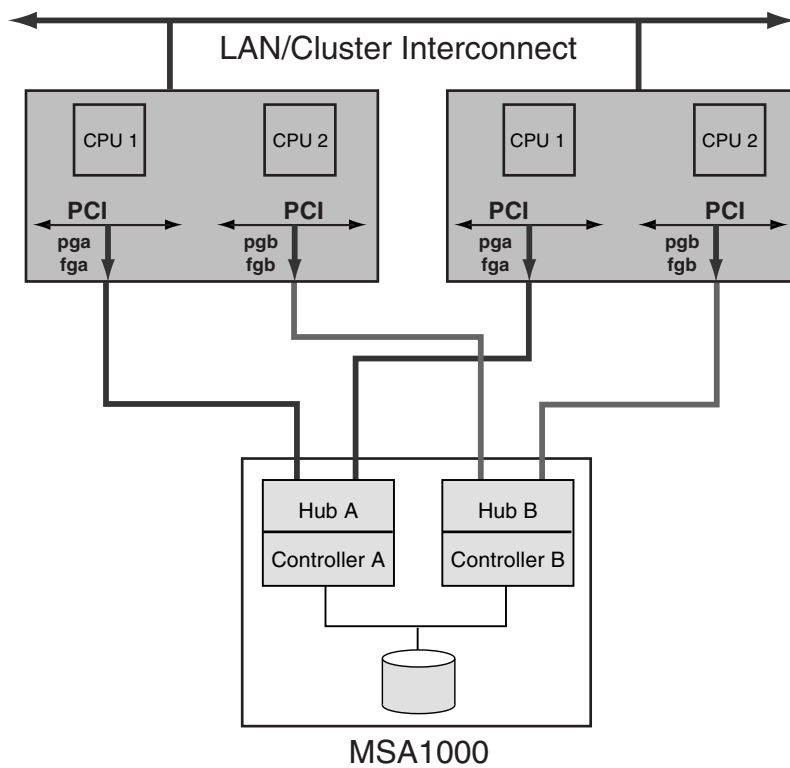
## 7.1 Overview of OpenVMS Fibre Channel Support

Figure 7–3 shows an arbitrated loop topology. Two hosts are connected to a dual-ported StorageWorks MSA 1000 storage system. OpenVMS supports an arbitrated loop topology only on this storage system.

### Note

Support for this topology is planned to be available soon and will be announced on the OpenVMS home page: <http://www.hp.com/go/openvms>.

Figure 7–3 Arbitrated Loop Topology Using MSA 1000



VM-1101A-AI

## 7.2 Fibre Channel Configuration Support

OpenVMS Alpha supports the Fibre Channel devices listed in Table 7–2. For Fibre Channel fabric components supported by OpenVMS, refer to the latest version of *HP StorageWorks SAN Design Reference Guide* (order number AA-RMPNM-TE).

Note that Fibre Channel hardware names typically use the letter G to designate hardware that is specific to Fibre Channel. Fibre Channel configurations with other Fibre Channel equipment are not supported. To determine the required minimum versions of the operating system and firmware, see the release notes.

HP recommends that all OpenVMS Fibre Channel configurations use the latest update kit for the OpenVMS version they are running.

## Configuring Fibre Channel as an OpenVMS Cluster Storage Interconnect

### 7.2 Fibre Channel Configuration Support

The root name of these kits is FIBRE\_SCSI, a change from the earlier naming convention of FIBRECHAN. The kits are available from the following web site:

<http://welcome.hp.com/country/us/eng/support.html>

**Table 7–2 Fibre Channel Hardware Components**

Component Name	Description
AlphaServer 800, <sup>1</sup> 1000A, <sup>2</sup> 1200, 4000, 4100, 8200, 8400, DS10, DS20, DS25, DS20E, ES40, ES45, ES47, ES80, GS60, GS60E, GS80, GS140, GS160, GS320, and GS1280	Alpha host.
HP Integrity server rx1600-2, rx2600-2, rx4640-8	HP Integrity host
Enterprise Virtual Array (EVA)	Fibre Channel “virtual” RAID storage with two Fibre Channel host ports and support for 240 physical Fibre Channel drives.
HSV110	Fibre Channel hierarchical storage controller module (for the EVA5000) with two Fibre Channel host ports and support for 6 or 12 SCSI drive enclosures.
HSG80	Fibre Channel hierarchical storage controller module with two Fibre Channel host ports and support for six SCSI drive buses.
HSG60	Fibre Channel hierarchical storage controller module with two Fibre Channel host ports and support for two SCSI buses.
MDR	Fibre Channel Modular Data Router, a bridge to a SCSI tape or a SCSI tape library, with a 1-Gb capacity. The MDR must be connected to a Fibre Channel switch. It cannot be connected directly to an Alpha system.
NSR	Fibre Channel Network Storage Router, a bridge to a SCSI tape or a SCSI tape library, with a 2-Gb capacity. The NSR must be connected to a Fibre Channel switch. It cannot be connected directly to an Alpha system.
Fibre Channel fabric components, including host adapters, switches, bridges, Gigabit interface converters (GBICs) for long distance configurations, and cables	See the latest version of the <i>HP StorageWorks SAN Design Reference Guide</i> (order number: AA-RMPNM-TE).

<sup>1</sup>On the AlphaServer 800, the integral S3 Trio must be disabled when the KGPSA is installed.  
<sup>2</sup>Console support for FC disks is not available on this model.

OpenVMS supports the Fibre Channel SAN configurations described in the latest *HP StorageWorks SAN Design Reference Guide* (order number: AA-RMPNM-TE) and the Data Replication Manager (DRM) user documentation. This includes support for:

- Multiswitch FC fabrics.

## Configuring Fibre Channel as an OpenVMS Cluster Storage Interconnect

### 7.2 Fibre Channel Configuration Support

- Support for up to 500 meters of multimode fiber, and support for up to 100-kilometer interswitch links (ISLs) using single-mode fiber. In addition, DRM configurations provide longer-distance ISLs through the use of the Open Systems Gateway and Wave Division Multiplexors.
- Sharing of the fabric and the HSG storage with non-OpenVMS systems.

The StorageWorks documentation is available from their web site, which you can access from the OpenVMS web page:

<http://www.hp.com/go/openvms>

Select HP Storage (from related links in the left navigational bar). Next, locate the storage product. Then you can access the product's documentation.

Within the configurations described in the StorageWorks documentation, OpenVMS provides the following capabilities and restrictions:

- All OpenVMS disk functions are supported: system disk, dump disks, shadow set member, quorum disk, and MSCP served disk. Each virtual disk must be assigned an identifier that is unique clusterwide.
- OpenVMS provides support for the number of hosts, switches, and storage controllers specified in the StorageWorks documentation. In general, the number of hosts and storage controllers is limited only by the number of available fabric connections.
- The number of Fibre Channel host bus adapters per platform depends on the platform type. Currently, the largest platforms support up to 26 adapters (independent of the number of OpenVMS instances running on the platform).
- OpenVMS requires that the HSG operate in SCSI-3 mode, and if the HSG is in a dual redundant configuration, then the HSG must be in multibus failover mode. The HSG can only be shared with other systems that operate in these modes.
- The OpenVMS Fibre Channel host bus adapter must be connected directly to the FC switch. The host bus adapter is not supported on a Fibre Channel loop, nor in a point-to-point connection to another Fibre Channel end node.
- Neither the KGPSA-BC nor the KGPSA-CA can be connected to the same PCI bus as the S3 Trio 64V+ Video Card (PB2GA-JC/JD). On the AlphaServer 800, the integral S3 Trio must be disabled when the KGPSA is installed.
- Hosts on the fabric can be configured as a single cluster or as multiple clusters and/or nonclustered nodes. It is critical to ensure that each cluster and each nonclustered system has exclusive access to its storage devices. HSG/HSV selective storage presentation and FC switch zoning or both can be used to ensure that each HSG/HSV storage device is accessible to only one cluster or one nonclustered system.
- The HSG supports a limited number of connections. A connection is a nonvolatile record of a particular host bus adapter communicating with a particular port on the HSG. (Refer to the HSG CLI command SHOW CONNECTIONS.) The HSG ACS V8.6 supports a maximum of 96 connections, whereas HSG ACS V8.5 allows a maximum of 64 connections, and HSG ACS V8.4 allows a maximum of 32 connections. The connection limit is the same for both single and dual redundant controllers.

## Configuring Fibre Channel as an OpenVMS Cluster Storage Interconnect

### 7.2 Fibre Channel Configuration Support

If your FC fabric is large, and the number of active connections exceeds the HSG limit, then you must reconfigure the fabric, or use FC switch zoning to "hide" some of the adapters from some of the HSG ports, in order to reduce the number of connections.

The HSG does not delete connection information from the connection table when a host bus adapter is disconnected. Instead, the user must prevent the table from becoming full by explicitly deleting the connection information using a CLI command.

This configuration support is in effect as of the revision date of this document. OpenVMS plans to increase these limits in future releases.

In addition to the configurations already described, OpenVMS also supports the SANworks Data Replication Manager. This is a remote data vaulting solution that enables the use of Fibre Channel over longer distances. For more information, see the HP StorageWorks web site, which you can access from the OpenVMS web page:

<http://www.hp.com/go/openvms>

Select HP Storage (from related links in the left navigational bar). Next, locate the storage product.

#### 7.2.1 Fibre Channel Remedial Kits

Qualification of new Fibre Channel hardware and larger configurations is ongoing. New hardware and larger configurations may necessitate enhancements to the Fibre Channel support in OpenVMS. Between releases of OpenVMS, enhancements and corrections to Fibre Channel software are made available by means of remedial kits on the HP support web site at:

<http://h18007.www1.hp.com.support/files/index.html>

The latest version of each kit is the one posted to the HP support web site. HP recommends that you monitor this web site.

HP also recommends that you monitor the Fibre Channel web site at:

<http://h71000.www7.hp.com/openvms/fibre/>

The Fibre Channel web site is periodically updated with important news and new slide presentations.

#### 7.2.2 Mixed-Version and Mixed-Architecture Cluster Support

Shared Fibre Channel OpenVMS Cluster storage is supported in both mixed-version and mixed-architecture OpenVMS Cluster systems. Mixed-version support is described in Section 11.7. Mixed-architecture support means a combination of OpenVMS Alpha systems with either OpenVMS VAX systems or OpenVMS I64 systems. Certain restrictions apply to the size of a mixed-architecture OpenVMS Alpha and OpenVMS I64 Cluster system, as described in the *HP OpenVMS Version 8.2 New Features and Documentation Overview* manual.

The following configuration requirements must be observed:

- All hosts configured for shared access to the same storage devices must be in the same OpenVMS Cluster.
- All hosts in the cluster require a common cluster communication interconnect, such as a LAN, CI, DSSI, or MEMORY CHANNEL.



# Configuring Fibre Channel as an OpenVMS Cluster Storage Interconnect

## 7.2 Fibre Channel Configuration Support

- All hosts with a direct connection to the FC must be running one of the OpenVMS Alpha versions named in Section 11.7.
- All hosts must have the remedial kits for mixed-version clusters installed, as documented in the Release Notes.
- If you use DECEvent for error tracing, Version 2.9 or later is required. Earlier versions of DECEvent do not support Fibre Channel.

### 7.2.3 Fibre Channel and OpenVMS Galaxy Configurations

Fibre Channel is supported in all OpenVMS Galaxy configurations. For more information about Galaxy configurations, see the *HP OpenVMS Alpha Partitioning and Galaxy Guide*.

## 7.3 Example Configurations

This section presents example Fibre Channel configurations.

---

#### Note

---

These configurations are valid for HSG storage controllers and for HSV storage controllers, except for Section 7.3.1 and Section 7.3.2, which apply only to HSG storage controllers.

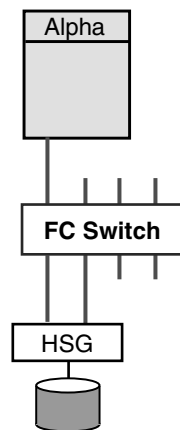
---

The configurations build on each other, starting with the smallest valid configuration and adding redundant components for increasing levels of availability, performance, and scalability.

### 7.3.1 Single Host with Dual-Ported Storage

Figure 7–4 shows a single system using Fibre Channel as a storage interconnect.

**Figure 7–4 Single Host With One Dual-Ported Storage Controller**



VM-0482A-AI

Note the following about this configuration:

- Dual ports of the HSG or HSV storage controller increase the availability and performance of the storage subsystem.

## Configuring Fibre Channel as an OpenVMS Cluster Storage Interconnect

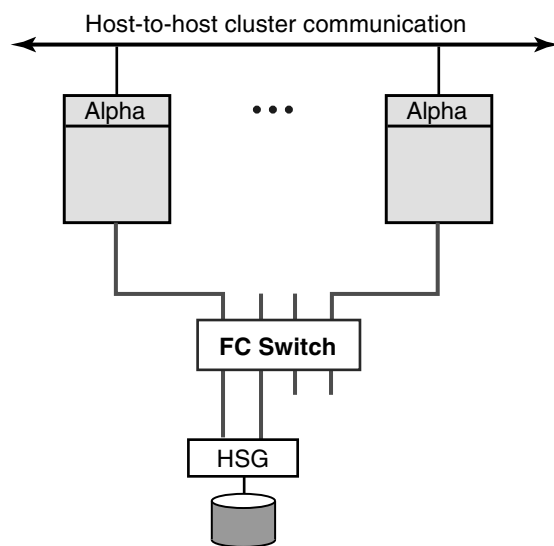
### 7.3 Example Configurations

- Extra ports on the switch enable system growth.
- To maximize performance, logical units can be spread over the two HSG or HSV ports.
- The switch and the HSG or HSV are single points of failure. To provide higher availability, Volume Shadowing for OpenVMS can be used to replicate the data to another Fibre Channel switch and HSG or HSV controller.

#### 7.3.2 Multiple Hosts With One Dual-Ported Storage Controller

Figure 7–5 shows multiple hosts connected to a dual-ported storage subsystem.

**Figure 7–5 Multiple Hosts With One Dual-Ported Storage Controller**



VM-0483A-AI

Note the following about this configuration:

- Multiple hosts increase availability of the entire system.
- Extra ports on the switch enable system growth.
- The switch and the HSG or HSV are single points of failure. To provide higher availability, Volume Shadowing for OpenVMS can be used to replicate the data to another Fibre Channel switch and HSG or HSV controller.

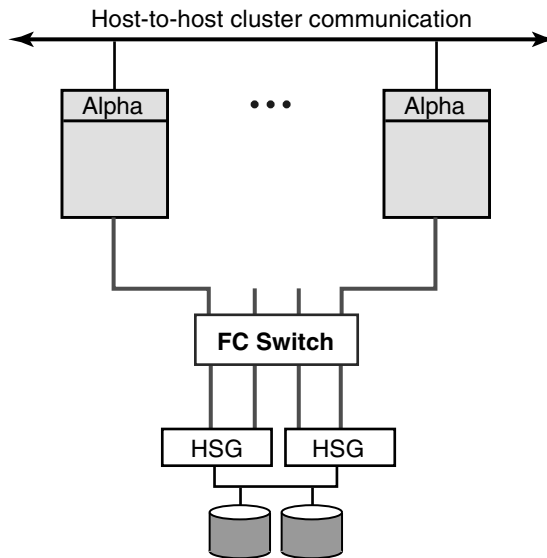
# Configuring Fibre Channel as an OpenVMS Cluster Storage Interconnect

## 7.3 Example Configurations

### 7.3.3 Multiple Hosts With Storage Controller Redundancy

Figure 7–6 shows multiple hosts connected to two dual-ported storage controllers.

**Figure 7–6 Multiple Hosts With Storage Controller Redundancy**



VM-0484A-AI

This configuration offers the following advantages:

- Logical units can be spread over the four HSG or HSV ports, offering higher performance.
- HSGs or HSVs can be configured in multibus failover mode, even though there is just one Fibre Channel “bus.”
- The switch is still a single point of failure. To provide higher availability, Volume Shadowing for OpenVMS can be used to replicate the data to another Fibre Channel switch and HSG or HSV controller.

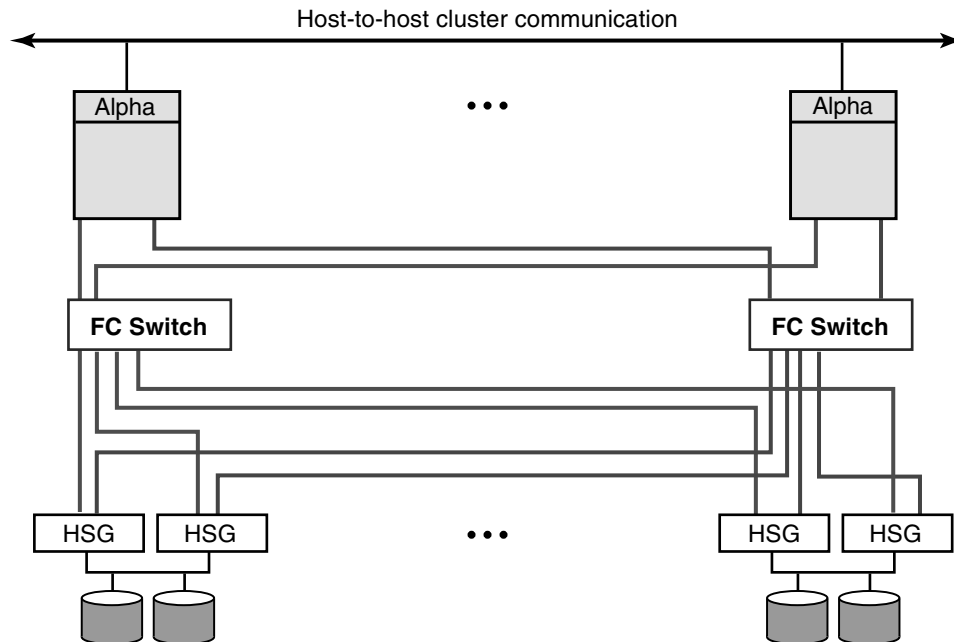
## Configuring Fibre Channel as an OpenVMS Cluster Storage Interconnect

### 7.3 Example Configurations

#### 7.3.4 Multiple Hosts With Multiple Independent Switches

Figure 7-7 shows multiple hosts connected to two switches, each of which is connected to a pair of dual-ported storage controllers.

**Figure 7-7 Multiple Hosts With Multiple Independent Switches**



VM-0485A-AI

This two-switch configuration offers the advantages of the previous configurations plus the following:

- Higher level of availability afforded by two switches. There is no single point of failure.
- Better performance because of the additional host bus adapter.
- Each host has multiple independent paths to a storage subsystem. The two switches are not connected to each other to ensure that the paths are completely independent.

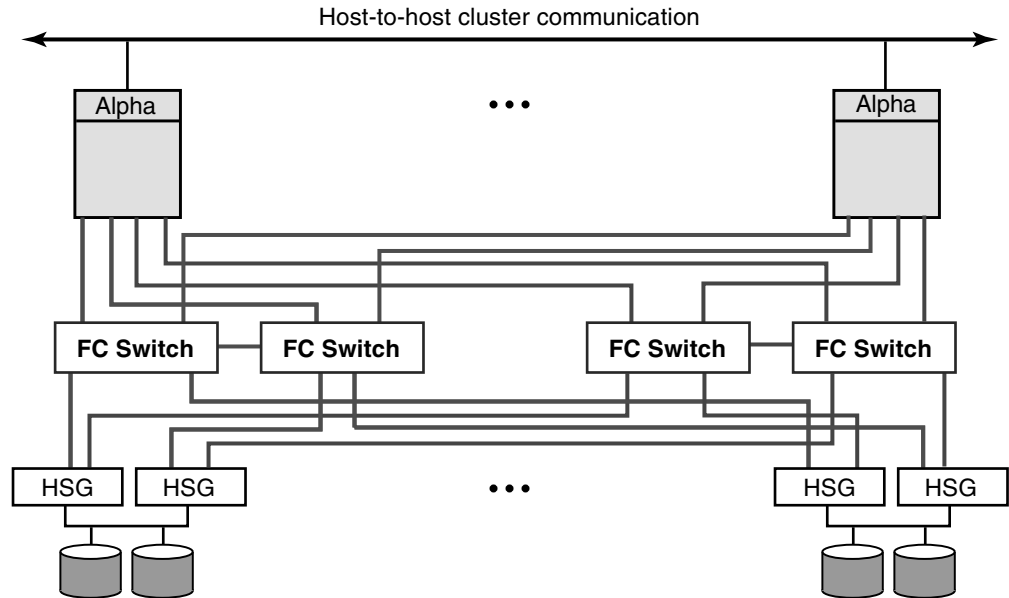
# Configuring Fibre Channel as an OpenVMS Cluster Storage Interconnect

## 7.3 Example Configurations

### 7.3.5 Multiple Hosts With Dual Fabrics

Figure 7–8 shows multiple hosts connected to two fabrics; each fabric consists of two switches.

**Figure 7–8 Multiple Hosts With Dual Fabrics**



VM-0486A-AI

This dual-fabric configuration offers the advantages of the previous configurations plus the following advantages:

- More ports are available per fabric for connecting to additional hosts and storage subsystems.
- Each host has four host bus adapters, one for each switch. Only two adapters are required, one per fabric. The additional adapters increase availability and performance.

# Configuring Fibre Channel as an OpenVMS Cluster Storage Interconnect

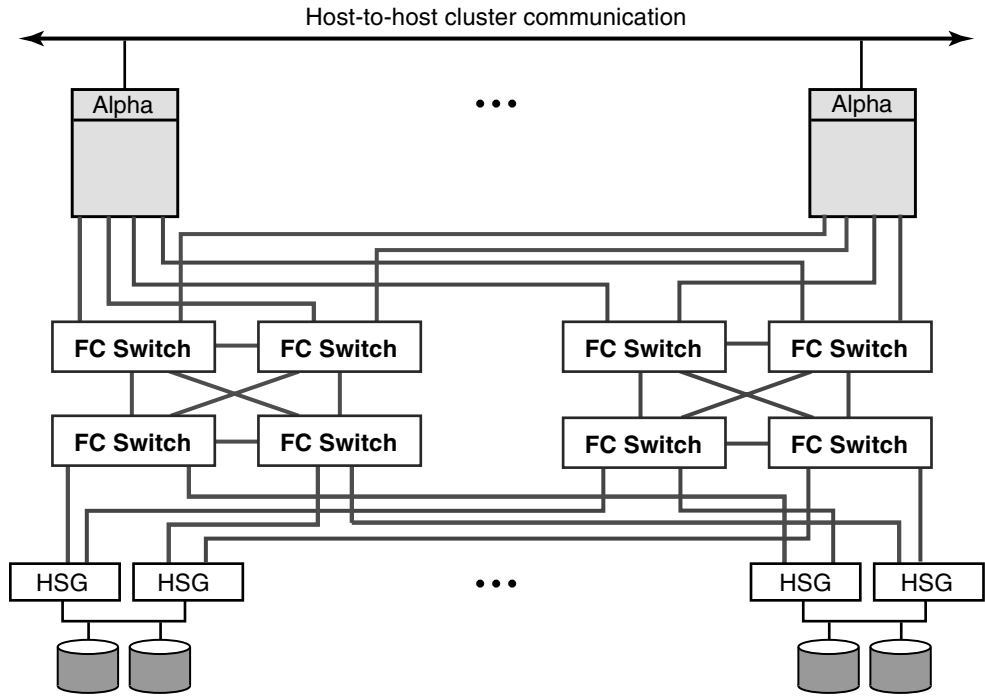
## 7.3 Example Configurations

### 7.3.6 Multiple Hosts With Larger Fabrics

The configurations shown in this section offer even higher levels of performance and scalability.

Figure 7-9 shows multiple hosts connected to two fabrics. Each fabric has four switches.

**Figure 7-9 Multiple Hosts With Larger Dual Fabrics**



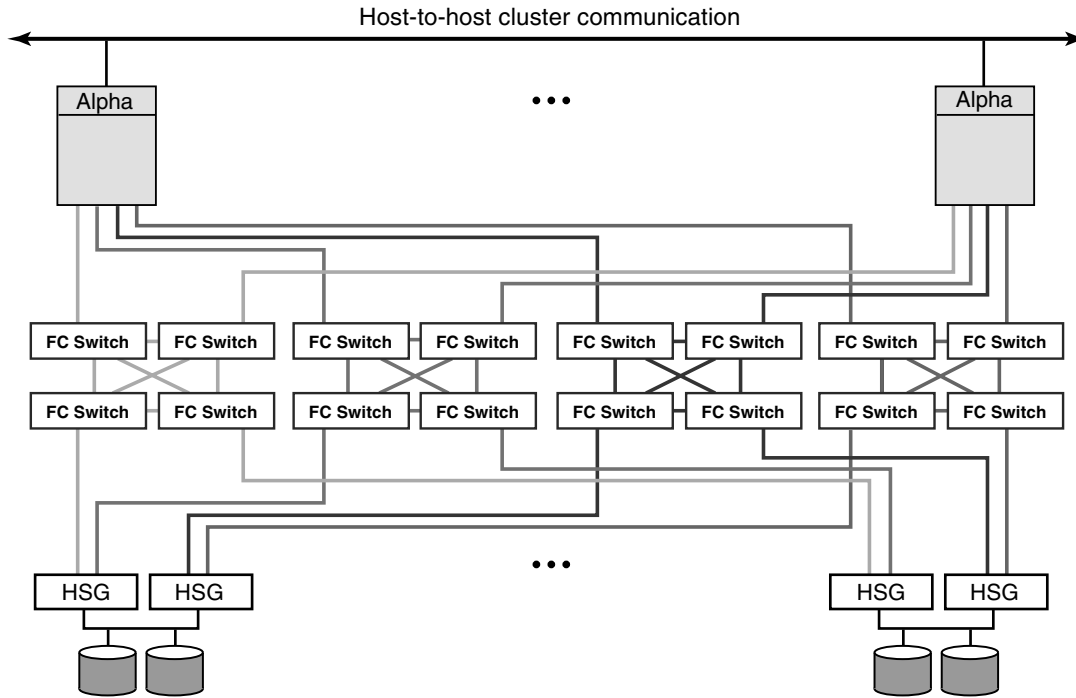
VM-0487A-AI

# Configuring Fibre Channel as an OpenVMS Cluster Storage Interconnect

## 7.3 Example Configurations

Figure 7–10 shows multiple hosts connected to four fabrics. Each fabric has four switches.

Figure 7–10 Multiple Hosts With Four Fabrics



VM-0488A-AI

## 7.4 Fibre Channel Addresses, WWIDs, and Device Names

Fibre Channel devices for disk and tape storage come with factory-assigned worldwide IDs (WWIDs). These WWIDs are used by the system for automatic FC address assignment. The FC WWIDs and addresses also provide the means for the system manager to identify and locate devices in the FC configuration. The FC WWIDs and addresses are displayed, for example, by the Alpha console and by the HSG or HSV console. It is necessary, therefore, for the system manager to understand the meaning of these identifiers and how they relate to OpenVMS device names.

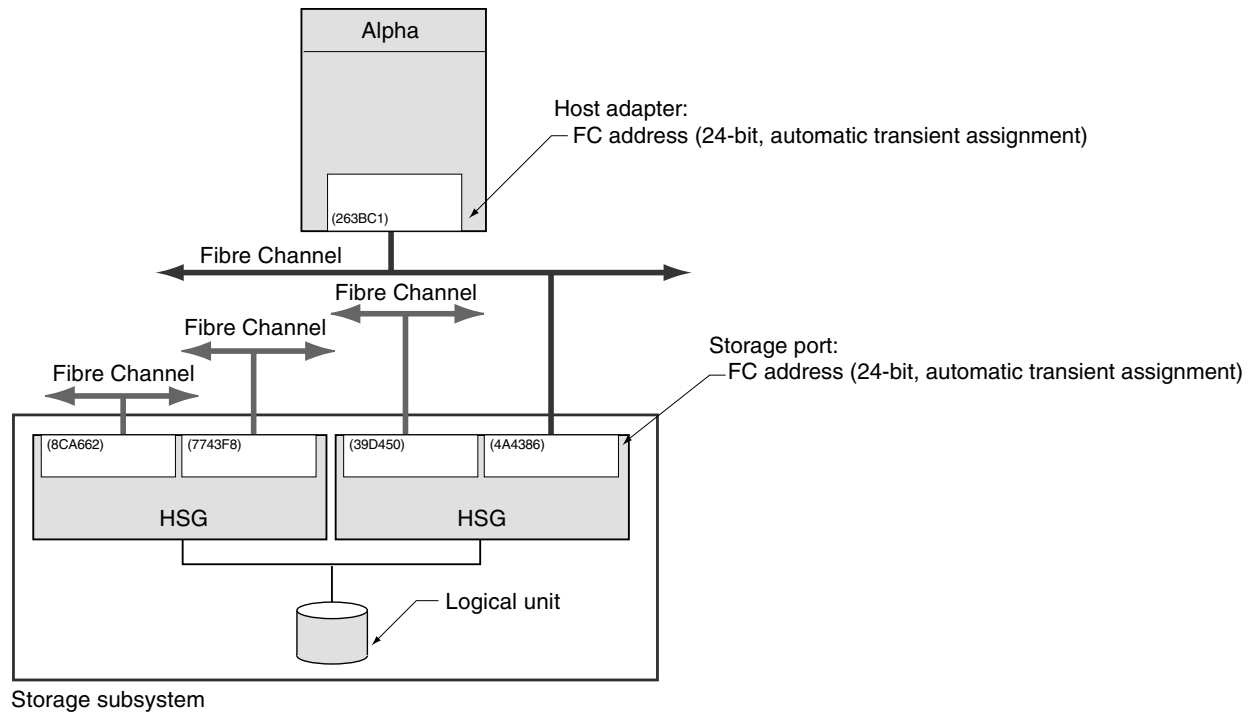
### 7.4.1 Fibre Channel Addresses and WWIDs

In most situations, Fibre Channel devices are configured to have temporary addresses. The device's address is assigned automatically each time the interconnect initializes. The device may receive a new address each time a Fibre Channel is reconfigured and reinitialized. This is done so that Fibre Channel devices do not require the use of address jumpers. There is one Fibre Channel address per port, as shown in Figure 7–11.

# Configuring Fibre Channel as an OpenVMS Cluster Storage Interconnect

## 7.4 Fibre Channel Addresses, WWIDs, and Device Names

Figure 7–11 Fibre Channel Host and Port Addresses



VM-0125A-AI

In order to provide more permanent identification, each port on each device has a WWID, which is assigned at the factory. Every Fibre Channel WWID is unique. Fibre Channel also has node WWIDs to identify multiported devices. WWIDs are used by the system to detect and recover from automatic address changes. They are useful to system managers for identifying and locating physical devices.

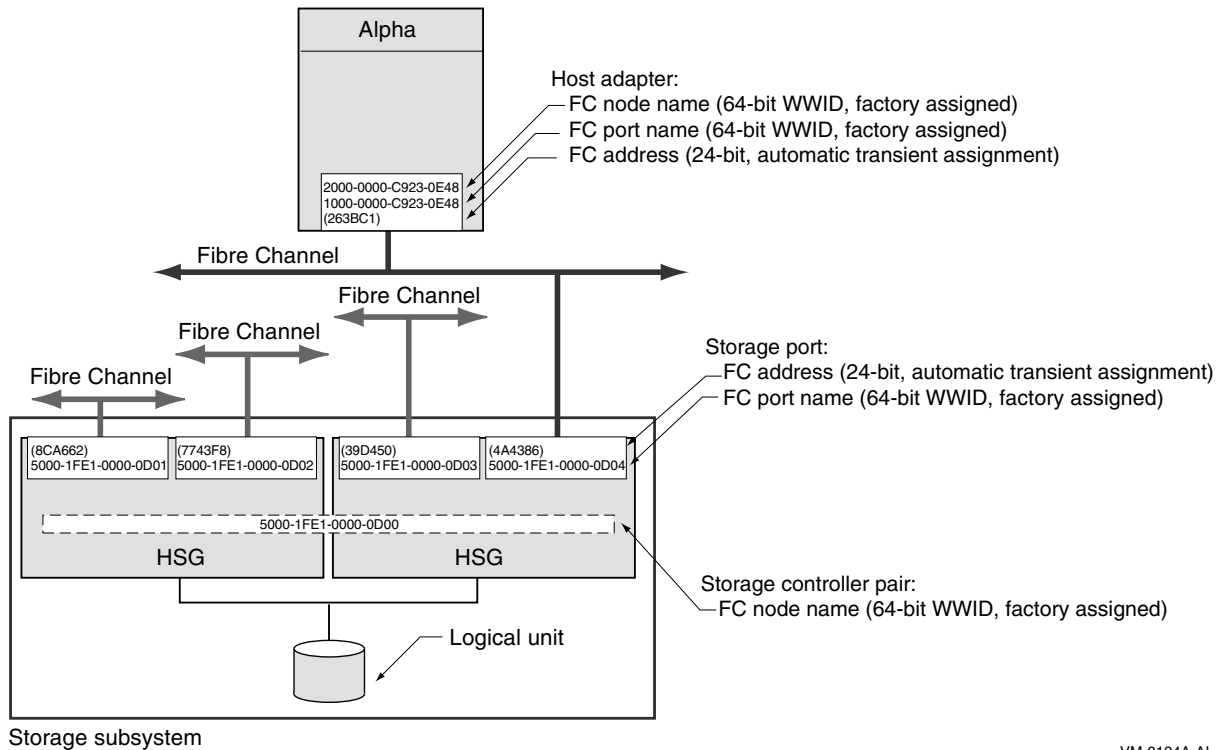
Figure 7–12 shows Fibre Channel components with their factory-assigned WWIDs and their Fibre Channel addresses.



# Configuring Fibre Channel as an OpenVMS Cluster Storage Interconnect

## 7.4 Fibre Channel Addresses, WWIDs, and Device Names

Figure 7–12 Fibre Channel Host and Port WWIDs and Addresses



VM-0124A-AI

Note the following about this figure:

- Host adapter's port name and node name are each a 64-bit, factory-assigned WWID.
- Host adapter's address is a 24-bit automatic, transient assignment.
- Each HSG or HSV storage port has a 64-bit, factory-assigned WWID, and a 24-bit transient address that is automatically assigned.
- HSG or HSV controller pair share a node name that is a 64-bit, factory-assigned WWID.

You can display the FC node name and FC port name for a Fibre Channel host bus adapter with the SHOW DEVICE/FULL command. For example:

```
$ SHOW DEVICE/FULL FGA0
```

```
Device FGA0:, device type KGPSA Fibre Channel, is online, shareable, error logging is enabled.
```

```
Error count          0      Operations completed          0
Owner process        ""      Owner UIC                      [SYSTEM]
Owner process ID     00000000  Dev Prot                       S:RWPL,O:RWPL,G,W
Reference count      0      Default buffer size            0
FC Port Name 1000-0000-C923-0E48  FC Node Name                    2000-0000-C923-0E48
```

### 7.4.2 OpenVMS Names for Fibre Channel Devices

There is an OpenVMS name for each Fibre Channel storage adapter, for each path from the storage adapter to the storage subsystem, and for each storage device. These sections apply to both disk devices and tape devices, except for Section 7.4.2.3, which is specific to disk devices. Tape device names are described in Section 7.5.

# Configuring Fibre Channel as an OpenVMS Cluster Storage Interconnect

## 7.4 Fibre Channel Addresses, WWIDs, and Device Names

### 7.4.2.1 Fibre Channel Storage Adapter Names

Fibre Channel storage adapter names, which are automatically assigned by OpenVMS, take the form FGx0:

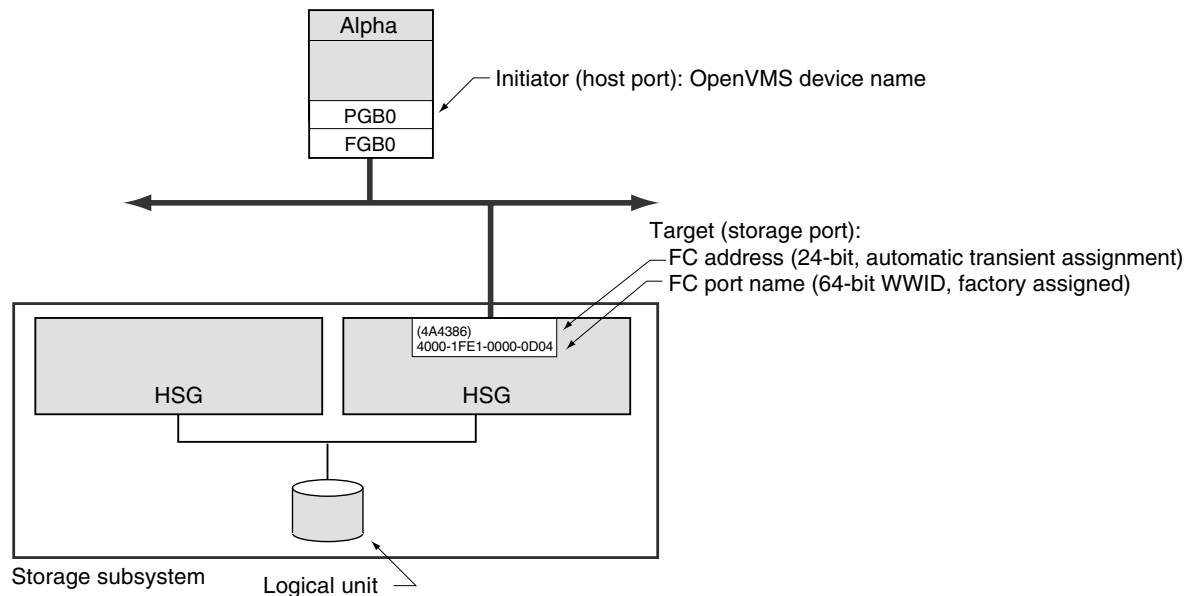
- FG represents Fibre Channel.
- x represents the unit letter, from A to Z.
- 0 is a constant.

The naming design places a limit of 26 adapters per system. This naming may be modified in future releases to support a larger number of adapters.

Fibre Channel adapters can run multiple protocols, such as SCSI and LAN. Each protocol is a pseudodevice associated with the adapter. For the initial implementation, just the SCSI protocol is supported. The SCSI pseudodevice name is PGx0, where x represents the same unit letter as the associated FGx0 adapter.

These names are illustrated in Figure 7–13.

Figure 7–13 Fibre Channel Initiator and Target Names



VM-0083A-AI

### 7.4.2.2 Fibre Channel Path Names

With the introduction of multipath SCSI support, as described in Chapter 6, it is necessary to identify specific paths from the host to the storage subsystem. This is done by concatenating the SCSI pseudodevice name, a decimal point (.), and the WWID of the storage subsystem port that is being accessed. For example, the Fibre Channel path shown in Figure 7–13 is named PGB0.4000-1FE1-0000-0D04.

Refer to Chapter 6 for more information on the display and use of the Fibre Channel path name.

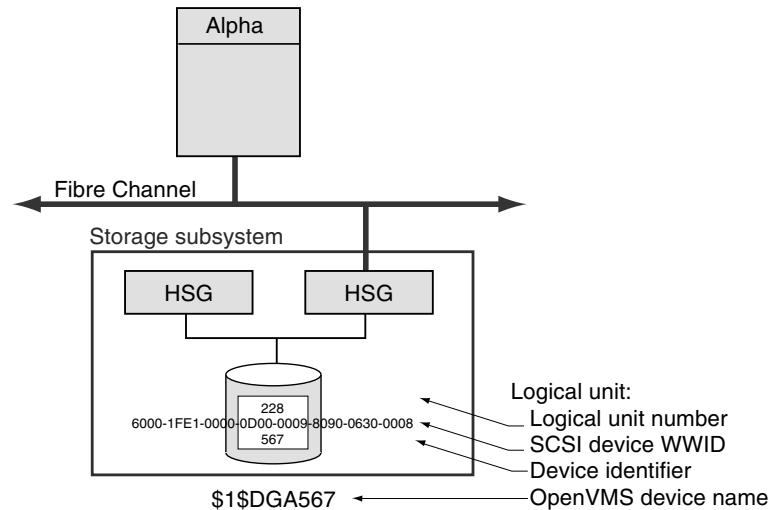
# Configuring Fibre Channel as an OpenVMS Cluster Storage Interconnect

## 7.4 Fibre Channel Addresses, WWIDs, and Device Names

### 7.4.2.3 Fibre Channel Disk Device Identification

The four identifiers associated with each FC disk device are shown in Figure 7–14.

**Figure 7–14 Fibre Channel Disk Device Naming**



VM-0084A-AI

The logical unit number (LUN) is used by the system as the address of a specific device within the storage subsystem. This number is set and displayed from the HSG or HSV console by the system manager. It can also be displayed by the OpenVMS SDA utility.

Each Fibre Channel disk device also has a WWID to provide permanent, unique identification of the device. The HSG or HSV device WWID is 128 bits. Half of this identifier is the WWID of the HSG or HSV that created the logical storage device, and the other half is specific to the logical device. The device WWID is displayed by the SHOW DEVICE/FULL command, the HSG or HSV console and the AlphaServer console.

The third identifier associated with the storage device is a user-assigned device identifier. A device identifier has the following attributes:

- User assigned at the HSG or HSV console.
- User must ensure it is cluster unique.
- Moves with the device.
- Can be any decimal number from 0 to 32766, except for MSCP served devices. If the FC disk device is MSCP served, the device identifier is limited to 9999. This restriction will be removed in a future release.

The device identifier has a value of 567 in Figure 7–14. This value is used by OpenVMS to form the device name so it must be unique throughout the cluster. (It may be convenient to set the device identifier to the same value as the logical unit number (LUN). This is permitted as long as the device identifier is unique throughout the cluster.)

## Configuring Fibre Channel as an OpenVMS Cluster Storage Interconnect

### 7.4 Fibre Channel Addresses, WWIDs, and Device Names

A Fibre Channel storage disk device name is formed by the operating system from the constant \$1\$DGA and a device identifier, *nnnnn*. Note that Fibre Channel disk device names use an allocation class value of 1 whereas Fibre Channel tape device names use an allocation class value of 2, as described in Section 7.5.2.1. The only variable part of the name is its device identifier, which you assign at the HSG or HSV console. Figure 7–14 shows a storage device that is known to the host as \$1\$DGA567.

---

#### Note

---

A device identifier of 0 is not supported on the HSV.

---

The following example shows the output of the SHOW DEVICE/FULL display for this device:

```
$ SHOW DEVICE/FULL $1$DGA567:
Disk $1$DGA567: (WILD8), device type HSG80, is online, mounted, file-oriented
device, shareable, device has multiple I/O paths, served to cluster via MSCP
Server, error logging is enabled.

Error count          14      Operations completed      6896599
Owner process        ""      Owner UIC                  [SYSTEM]
Owner process ID     00000000  Dev Prot                   S:RWPL,O:RWPL,G:R,W
Reference count      9      Default buffer size       512
WWID 01000010:6000-1FE1-0000-0D00-0009-8090-0630-0008
Total blocks         17769177  Sectors per track         169
Total cylinders      5258     Tracks per cylinder        20
Host name            "WILD8"   Host type, avail Compaq AlphaServer GS160 6/731, yes
Alternate host name  "H2OFRD"  Alt. type, avail AlphaServer 1200 5/533 4MB, yes
Allocation class     1

Volume label        "S5SH_V72_SSS"  Relative volume number      0
Cluster size        18      Transaction count           9
Free blocks         12811860  Maximum files allowed       467609
Extend quantity     5      Mount count                  6
Mount status        System  Cache name                  "_$1$DGA8:XQPCACHE"
Extent cache size   64      Maximum blocks in extent cache 1281186
File ID cache size  64      Blocks currently in extent cache 1260738
Quota cache size    0      Maximum buffers in FCP cache  1594
Volume owner UIC    [1,1]  Vol Prot                    S:RWCD,O:RWCD,G:RWCD,W:RWCD

Volume Status: ODS-2, subject to mount verification, file high-water marking,
write-back caching enabled.
Volume is also mounted on H2OFRD, FIBRE3, NORLMN, BOOLA, FLAM10.

I/O paths to device      5
Path PGA0.5000-1FE1-0000-0D02 (WILD8), primary path.
Error count              0      Operations completed        14498
Path PGA0.5000-1FE1-0000-0D03 (WILD8), current path.
Error count              14     Operations completed        6532610
Path PGA0.5000-1FE1-0000-0D01 (WILD8).
Error count              0      Operations completed        14481
Path PGA0.5000-1FE1-0000-0D04 (WILD8).
Error count              0      Operations completed        14481
Path MSCP (H2OFRD).
Error count              0      Operations completed        320530
```

## 7.5 Fibre Channel Tape Support

This section describes the configuration requirements and user commands necessary to utilize the Fibre Channel tape functionality. Fibre Channel tape functionality refers to the support of SCSI tapes and SCSI tape libraries in an OpenVMS Cluster system with shared Fibre Channel storage. The SCSI tapes and libraries are connected to the Fibre Channel by a Fibre-to-SCSI bridge. Currently, two bridges are available: the Modular Data Router (MDR) and the Network Storage Router (NSR).

### 7.5.1 Minimum Hardware Configuration

Following is the minimum Fibre Channel tape hardware configuration:

- Alpha or Integrity system with supported FC HBA
- Fibre-to-SCSI bridge:
  - Network Storage Router (NSR)

The NSR must also be connected to a switch and not directly to an Alpha system.

OpenVMS recommends that the NSR be set to indexed mode.

The indexed map should be populated in Target/Bus priority order to ensure that the controller LUN is mapped to LUN 0. Also, be careful to avoid conflicting IDs, as documented in the *hp StorageWorks network storage router M2402* user guide (order number 269782-003).
  - Modular Data Router (MDR), minimum firmware revision 1170

The MDR must be connected to a switch and not directly to an Alpha system. Furthermore, the MDR must be in SCSI Command Controller (SCC) mode, which is normally the default. If the MDR is not in SCC mode, use the command `SetSCCmode On` at the MDR console.

Tape devices and tape library robots must not be set to SCSI target ID 7, since that ID is reserved for use by the MDR.
- Fibre Channel switch
- Tape library, for example:
  - MSL5000 series
  - ESL9000 series
  - TL891
  - TL895
- Individual tapes, for example:
  - SDLT 160/320
  - SDLT 110/220
  - HP Ultrium 460
  - DLT8000
  - TZ89

## Configuring Fibre Channel as an OpenVMS Cluster Storage Interconnect

### 7.5 Fibre Channel Tape Support

---

#### Note

---

Tapes are not supported in an HSG $xx$  storage subsystem nor behind a Fibre Channel Tape Controller II (FCTC-II).

A tape library robot is an example of a **medium changer device**, the term that is used throughout this section.

---

### 7.5.2 Overview of Fibre Channel Tape Device Naming

This section provides detailed background information about Fibre Channel Tape device naming.

Tape and medium changer devices are automatically named and configured using the SYSMAN IO FIND and IO AUTOCONFIGURE commands described in Section 7.5.3. System managers who configure tapes on Fibre Channel should refer directly to this section for the tape configuration procedure.

#### 7.5.2.1 Tape and Medium Changer Device Names

Fibre Channel tapes and medium changers are named using a scheme similar to Fibre Channel disk naming.

On parallel SCSI, the device name of a directly attached tape implies the physical location of the device; for example, MKB301 resides on bus B, SCSI target ID 3, and LUN 1. Such a naming scheme does not scale well for Fibre Channel configurations, in which the number of targets or nodes can be very large.

Fibre Channel tape names are in the form  $\$2\$MGA_n$ . The letter for the controller is always A, and the prefix is  $\$2\$$ . The device mnemonic is MG for tapes and GG for medium changers. The device unit  $n$  is automatically generated by OpenVMS.

The name creation algorithm chooses the first free unit number, starting with zero. The first tape discovered on the Fibre Channel is named  $\$2\$MGA_0$ , the next is named  $\$2\$MGA_1$ , and so forth. Similarly, the first medium changer detected on the Fibre Channel is named  $\$2\$GGA_0$ . The naming of tapes and medium changers on parallel SCSI buses remains the same.

Note the use of allocation class 2. Allocation class 1 is already used by devices whose name is keyed by a user-defined identifier (UDID), as with HSG Fibre Channel disks ( $\$1\$DGAnnnn$ ) and HSG console command LUNs ( $\$1\$GGAnnnn$ ).

An allocation class of 2 is used by devices whose names are obtained from the file, SYS\$DEVICES.DAT. The names are based on a worldwide identifier (WWID) key, as described in the following sections. Also note that, while GG is the same mnemonic used for both medium changers and HSG Command Console LUNs (CCLs), medium changers always have an allocation class of 2 and HSG CCLs an allocation class of 1.

Tape and medium changer names are automatically kept consistent within a single OpenVMS Cluster system. Once a tape device is named by any node in the cluster, all other nodes in the cluster automatically choose the same name for that device, even if this overrides the first free unit number algorithm. The chosen device name remains the same through all subsequent reboot operations in the cluster.

If multiple nonclustered Alpha systems exist on a SAN and need to access the same tape device on the Fibre Channel, then the upper-level application must provide consistent naming and synchronized access.

## Configuring Fibre Channel as an OpenVMS Cluster Storage Interconnect

### 7.5 Fibre Channel Tape Support

#### 7.5.2.2 Use of Worldwide Identifiers (WWIDs)

For each Fibre Channel tape device name, OpenVMS must uniquely identify the physical device that is associated with that name.

In parallel SCSI, directly attached devices are uniquely identified by their physical path (port/target/LUN). Fibre Channel disks are uniquely identified by user-defined identifiers (UDIDs). These strategies are either unscalable or unavailable for Fibre Channel tapes and medium changers.

Therefore, the identifier for a given Fibre Channel tape or medium changer device is its worldwide identifier (WWID). The WWID resides in the device firmware and is required to be unique by the Fibre Channel standards.

WWIDs can take several forms, for example:

- IEEE registered WWID (64-bit binary)
- Vendor ID plus product ID plus serial number (ASCII)

The overall WWID consists of the WWID data prefixed by a binary WWID header, which is a longword describing the length and type of WWID data.

In general, if a device reports an IEEE WWID, OpenVMS chooses this as the unique identifying WWID for the device. If the device does not report such a WWID, then the ASCII WWID is used. If the device reports neither an IEEE WWID nor serial number information, then OpenVMS does not configure the device. During the device discovery process, OpenVMS rejects the device with the following message:

```
%SYSMAN-E-NOWWID, error for device Product-ID, no valid WWID found.
```

The WWID structures can be a mix of binary and ASCII data. These formats are displayable and are intended to be consistent with those defined by the console WWIDMGR utility. Refer to the *Wwidmgr Users' Manual* for additional information. (The *Wwidmgr Users' Manual* is available in the [.DOC] directory of the Alpha Systems Firmware Update CD-ROM.)

Note that if the data following the WWID header is pure ASCII data, it must be enclosed in double quotation marks.

The displayable format of a 64-bit IEEE WWID consists of an 8-digit hexadecimal number in ASCII (the WWID header), followed by a colon (:) and then the IEEE WWID data. For example:

```
0C000008:0800-4606-8010-CD3C
```

The displayable format of an ASCII WWID consists of an 8-digit WWID header, followed by a colon (:) and then the concatenation of the 8-byte vendor ID plus the 16-byte product ID plus the serial number. For example:

```
04100022:"COMPAQ DLT8000 JF71209240"
```

---

#### Note

---

Occasionally, an ASCII WWID may contain nonprintable characters in the serial number. In a displayable format, such a character is represented by `\nn`, where `nn` is the 2-digit ASCII hexadecimal value of the character. For example, a null is represented by `\00`.

---



## Configuring Fibre Channel as an OpenVMS Cluster Storage Interconnect

### 7.5 Fibre Channel Tape Support

#### 7.5.2.3 File-Based Device Naming

Fibre Channel tape and medium changer devices are configured according to information found in the SYS\$SYSTEM:SYS\$DEVICES.DAT file. This is an ASCII file consisting of two consecutive records per device, where the two records are in the following form:

```
[Device $2$devnam]
WWID = displayable_identifier
```

During autoconfiguration, the Fibre Channel is probed and the WWIDs are fetched for all devices. If the fetched WWID matches an entry in the memory-resident copy of the SYS\$DEVICES.DAT file, then the device is configured using the device name that has been paired with that WWID.

---

#### Note

---

The SYS\$DEVICES.DAT file is also used for port allocation class (PAC) information. Fibre Channel tape-naming is a second use of this same file, even though PACs and Fibre Channel tapes are not related, other than their common need to access file-based device information at boot time.

By default, the SYS\$DEVICES.DAT file is created in the cluster common directory, SYS\$COMMON:[SYSEXE].

---

As an example, the following portion of SYS\$DEVICES.DAT causes the eventual configuration of devices named \$2\$MGA300 and \$2\$MGA23:

```
!
[Device $2$MGA300]
WWID = 04100022:"COMPAQ DLT8000 JF71209240"
!
[Device $2$mga23]
WWID = 04100022:"DEC TZ89 (C) DECJL01164302"
```

Although the file is typically read and written only by OpenVMS utilities, in rare instances you may need to edit the file. You can change only the unit number of the device, as described in Section 7.5.5. The internal syntax rules governing the file are summarized as follows:

- Comment lines (beginning with !) and blank lines are permitted.
- Any white space (or none) can separate [Device from the device name represented by \$2\$xxx].
- Failure to supply the \$2\$ prefix will result in a console warning.

Similarly, on the line containing WWID = , any white space (or none) can appear on either side of the equals sign. All lines must be left-justified, and all lines must be less than 512 characters.

The parsing of this file is not case sensitive, with one important exception: all characters enclosed within double quotation marks are taken literally, so that characters such as spaces and lowercase letters are significant. In the case of ASCII data enclosed by double quotation marks, there must be no space between the colon and the double quotation mark.

Also, if more than one WWID = line follows a single [Device *devnam*] line, the last WWID = value takes precedence. Normally, however, there is exactly one WWID = line per [Device *devnam*] line.



## Configuring Fibre Channel as an OpenVMS Cluster Storage Interconnect

### 7.5 Fibre Channel Tape Support

Similarly, if two or more [Device *devnam*] lines specify the same device name but different WWIDs, only the last device name and WWID specified in the file is used.

This file is read at boot time, and it is also read from and written to by the SYSMAN IO FIND\_WWID command. If there are additional system-specific copies of the SYS\$DEVICES.DAT file, their tape naming records become automatically compatible as a result of running SYSMAN IO FIND\_WWID on each system. The SYSMAN IO FIND\_WWID command is described in more detail in the following section. The SYS\$DEVICES.DAT file may also be modified by the SYSMAN IO CREATE\_WWID and REPLACE\_WWID commands which are described below.

#### 7.5.3 Management Support for Fibre Channel Tape Devices

The following System Management utility (SYSMAN) commands are provided for managing Fibre Channel tape devices:

- IO FIND\_WWID

Probes all ports on the Fibre Channel and detects all previously undiscovered tapes and medium changers, and assigns a name to each. Displays a list of the devices and their assigned device names, and automatically records this information in the SYS\$SYSTEM:SYS\$DEVICES.DAT file. Also updates relevant local and clusterwide memory structures. It should be executed clusterwide.

Use this command prior to running the SYSMAN command IO AUTOCONFIGURE.

Requires the CMKRNL privilege.

- IO LIST\_WWID

Lists all tape device WWIDs that are not yet configured on Fibre Channel. Use this command prior to running the SYSMAN command IO CREATE\_WWID.

Requires the CMKRNL privilege.

- IO CREATE\_WWID

Enables the user to assign a specific (and previously unused) device name to a specific (and previously unused) WWID from the SYSMAN IO LIST\_WWID display. It should be executed clusterwide. The command should then be followed by a clusterwide SYSMAN IO AUTO command to actually configure the device.

This command offers an alternative to the SYSMAN IO FIND\_WWID command, which chooses system-generated device names for the discovered WWIDs. The IO CREATE command should not be used after the IO FIND command as a means of redefining WWID correlations. The device and WWID strings specified in IO CREATE\_WWID should not be in use elsewhere in the cluster.

Requires the CMKRNL privilege.

- IO REPLACE\_WWID

Updates appropriate file and memory data structures in case one tape drive must be physically replaced by another tape drive at the same FC LUN location.

Requires the CMKRNL privilege.

## Configuring Fibre Channel as an OpenVMS Cluster Storage Interconnect

### 7.5 Fibre Channel Tape Support

The following DCL support for Fibre Channel tape devices is available:

- The SHOW DEVICE/FULL command displays the WWID for Fibre Channel tape devices.
- The F\$GETDVI lexical function supports the keyword WWID, which returns the Fibre Channel tape device's WWID.

#### 7.5.4 Configuring a Fibre Channel Tape Device

This section lists the steps required to configure a new tape or medium changer on the Fibre Channel.

##### 7.5.4.1 Basic Configuration Steps: Summary

The basic steps for configuring new Fibre Channel tape devices in a cluster are as follows:

1. Power on the new tape device or devices.
2. If you are using the MDR, power cycle the MDR to update MDR mapping information.

If you are using the NSR, use Visual Manager to update the mapping information as follows:

- Click on the Mapping submenu. Username is root, password is password.
- Ensure the Select Map box indicates Indexed mode.
- Click on the Edit/View box that is next to the Select Map box.
- This brings up an empty indexed map. Under the Priority option, select Target/Bus Priority and then click on Fill Map. Note that the Target/Bus priority ensures that the controller LUN, also known as the Active Fabric (AF) LUN, is mapped to LUN 0.
- The new map appears. Close that window, which then returns you to the Mapping submenu.
- If the NSR has additional FC ports besides FC port 0, click on FC Port 1 and repeat the mapping process for FC Port 1, and any other FC ports.
- Click on Reboot to make the updates to the maps take effect.

Further details on the Visual Manager are documented in the *hp StorageWorks Network Storage Router M2402* user guide (order number: 269782-004).

3. Run SYSMAN to assign device names and configure the devices:

```
$ MC SYSMAN
SYSMAN> SET ENVIRONMENT/CLUSTER      ! Execute on all nodes
SYSMAN> IO FIND_WWID                  ! Assign names
SYSMAN> IO AUTOCONFIGURE/LOG          ! Configure devices
SYSMAN> EXIT
```

You need to perform these steps only once for the initial configuration. After any subsequent system reboot, the devices will appear automatically.

## Configuring Fibre Channel as an OpenVMS Cluster Storage Interconnect

### 7.5 Fibre Channel Tape Support

#### 7.5.4.2 Basic Configuration Steps: Details

Prior to configuring a tape device on Fibre Channel, the worldwide identifier (WWID) of the device must be detected and stored, along with a device name, in the text file `SYS$SYSTEM:SYS$DEVICES.DAT`. This is usually accomplished by using the `SYSMAN` command `IO FIND_WWID`. However, some users prefer to choose their own device name for the tape devices, rather than using the system-generated names assigned by `FIND_WWID`. In that case, the user will execute the `IO CREATE_WWID` command instead of `IO FIND_WWID`. `IO CREATE_WWID` will be described in the next section, while this current section documents the use of `IO FIND_WWID`.

The `IO FIND_WWID` command probes all ports on the Fibre Channel and locates all tape and medium changer devices connected to an MDR or NSR. For tapes and medium changers that have not been detected by a previous `IO FIND_WWID` command, `IO FIND_WWID` assigns a device name, retrieves the WWID of the device, stores the device name and WWID data in the `SYS$SYSTEM:SYS$DEVICES.DAT` file, and updates memory structures.

Since the primary goal of `IO FIND_WWID` is to populate the `SYS$DEVICES.DAT` file, you need to invoke the `IO FIND_WWID` command only once for each device. `IO FIND_WWID` does not configure the `$2$MGA $n$  $n$  $n$  $n$ :` device for use by an application.

Once the information is stored in the file, subsequent use of the `IO AUTOCONFIGURE` command reads a memory-resident copy of the file and configures the tape and medium changer devices automatically, loading or connecting the device drivers as needed. The `SYS$DEVICES.DAT` file is read into memory during each system reboot; this action initiates the automatic configuration of tapes and medium changers on the Fibre Channel.

Note that running the `IO FIND_WWID` command for the first time detects all existing tape and medium changer devices on the system. If you add additional Fibre Channel tape devices to the system at a later time, you must first powercycle the MDR to update internal mapping information, and then run the `IO FIND_WWID` command again to append the new device information to the `SYS$DEVICES.DAT` file. On an NSR, edit the indexed map to update mapping information.

In an OpenVMS Cluster environment, various data structures in memory must be updated on each system when a new Fibre Channel tape device is added. To accomplish this, HP recommends that you run the `SYSMAN IO FIND_WWID` command on each Alpha node in the cluster. Alternatively, you can run `IO FIND_WWID` on one node, and then reboot the other nodes that share that same system disk, because the `SYS$DEVICES.DAT` file is read at boot time and causes memory structures to be correctly initialized.

In the case of multiple system disks in the cluster, ensure that all copies of the `SYS$DEVICES.DAT` file are kept consistent, preferably by running the `IO FIND_WWID` command on all nodes. Alternatively, you can run `IO FIND_WWID` to update just one `SYS$DEVICES.DAT` file, and then manually edit the remaining `SYS$DEVICES.DAT` files by cutting and pasting the appropriate device name and WWID records from the original file to the target files. If this second alternative is used, however, the remaining nodes must be rebooted in order for the memory-resident copy of `SYS$DEVICES.DAT` to be updated.

## Configuring Fibre Channel as an OpenVMS Cluster Storage Interconnect

### 7.5 Fibre Channel Tape Support

HP recommends that you refrain from copying the entire original file to another system disk. The SYS\$DEVICES.DAT file is also used to define port allocation classes (PACs), and PAC entries could be transferred inadvertently to the target system.

Following is a configuration example using a TL891 tape library on a single node.

First, the SYSMAN command IO FIND\_WWID displays a list of all previously undiscovered tape devices and their proposed device names.

```
$ MCR SYSMAN IO FIND_WWID

%SYSMAN-I-OUTPUT, command execution on node SAMPLE
On port _SAMPLE$PGA0:, the following tape WWIDs and their proposed device
names have been found but not yet configured:

    [Device $2$GGA0]
    WWID=04100024:"DEC      TL800      (C) DEC3G9CCR82A017"

    [Device $2$MGA0]
    WWID=04100022:"DEC      TZ89       (C) DECCX939S2777"

    [Device $2$MGA1]
    WWID=04100022:"DEC      TZ89       (C) DECCX942S6295"
```

Note that the overall WWID consists of everything to the right of the equals sign. Each such WWID is unique; however, the header portion may not be unique, because the header reflects only the basic type and length of the the WWID data.

The IO FIND\_WWID command automatically records the information about the new tape devices in SYS\$SYSTEM:SYS\$DEVICES.DAT:

```
$ TYPE SYS$SYSTEM:SYS$DEVICES.DAT
!
! Updated 23-OCT-2000 14:17:41.85:  DEC TL800
!
[Device $2$GGA0]
WWID=04100024:"DEC      TL800      (C) DEC3G9CCR82A017"
!
! Updated 23-OCT-2000 14:17:41.93:  DEC TZ89
!
[Device $2$MGA0]
WWID=04100022:"DEC      TZ89       (C) DECCX939S2777"
!
! Updated 23-OCT-2000 14:17:42.01:  DEC TZ89
!
[Device $2$MGA1]
WWID=04100022:"DEC      TZ89       (C) DECCX942S6295"
!
```

Next, the SYSMAN command IO AUTOCONFIGURE configures the tape device.

```
$ MCR SYSMAN IO AUTOCONFIGURE/LOG

%SYSMAN-I-OUTPUT, command execution on node SAMPLE
%IOGEN-I-PREFIX, searching for ICBM with prefix SYS$
%IOGEN-I-PREFIX, searching for ICBM with prefix DECW$
%IOGEN-I-SCSIPOLL, scanning for devices through SCSI port PKA0
%IOGEN-I-SCSIPOLL, scanning for devices through SCSI port PKB0
%IOGEN-I-FIBREPOLL, scanning for devices through FIBRE port PGA0
%IOGEN-I-CONFIGURED, configured device GGA0
%IOGEN-I-CONFIGURED, configured device MGA0
%IOGEN-I-CONFIGURED, configured device MGA1
```

## Configuring Fibre Channel as an OpenVMS Cluster Storage Interconnect 7.5 Fibre Channel Tape Support

Finally, the SHOW DEVICE/FULL command displays the WWID of the tape device.

```
$ SHOW DEVICE/FULL $2$MG
```

```
Magtape $2$MGA0: (SAMPLE), device type TZ89, is online, file-oriented device,  
available to cluster, error logging is enabled, controller supports  
compaction (compaction disabled), device supports fastskip.
```

Error count	0	Operations completed	0
Owner process	""	Owner UIC	[SYSTEM]
Owner process ID	00000000	Dev Prot	S:RWPL,O:RWPL,G:R,W
Reference count	0	Default buffer size	2048
WWID	04100022:"DEC	TZ89	(C) DECCX939S2777"
Density	default	Format	Normal-11
Allocation class	2		

```
Volume status: no-unload on dismount, position lost, odd parity.
```

```
Magtape $2$MGA1: (SAMPLE), device type TZ89, is online, file-oriented device,  
available to cluster, error logging is enabled, controller supports  
compaction (compaction disabled), device supports fastskip.
```

Error count	0	Operations completed	0
Owner process	""	Owner UIC	[SYSTEM]
Owner process ID	00000000	Dev Prot	S:RWPL,O:RWPL,G:R,W
Reference count	0	Default buffer size	2048
WWID	04100022:"DEC	TZ89	(C) DECCX942S6295"
Density	default	Format	Normal-11
Allocation class	2		

```
Volume status: no-unload on dismount, position lost, odd parity.
```

The F\$GETDVI lexical function also retrieves the displayable WWID:

```
$ write sys$output f$getdvi("$2$MGA0","WWID")  
04100022:"DEC    TZ89    (C) DECCX939S2777"
```

Once the device is named and configured, you can use the device in the same way that you use parallel SCSI tapes with DCL commands such as INITIALIZE, MOUNT, BACKUP, and COPY. Refer to the installation guide for individual tape layered products for details on product-specific support of Fibre Channel tapes.

Note that while medium changers on Fibre Channel are autoconfigured, the medium changers on parallel SCSI continue to require the IO CONNECT command to load the device driver. It is impossible to manually connect a Fibre Channel medium changer by the SYSMAN IO CONNECT command because the device name does not imply the device's physical location, as it does in parallel SCSI.

### 7.5.4.3 Creating User-Specified Device Names

If you prefer to choose specific names for the tape devices instead of using the default names generated by IO FIND\_WWID, you can use the IO CREATE\_WWID command. For example:

```
SYSMAN > IO CREATE_WWID $2$MGA3/WWID=04100022:"DEC    TZ89    (C) DECCX939S2341"
```

The selected name must be of the form \$2\$GGAn for medium changers and \$2\$MGA $n$  for tapes, where  $n$  is less than or equal to 9999. The name must not be in use elsewhere in the cluster. The WWID should be cut and pasted from the output of the IO LIST\_WWID display. The IO CREATE\_WWID command is intended only for naming new devices; it should not be used to rename existing devices. (Renaming existing devices is discussed in Section 7.5.5.)

## Configuring Fibre Channel as an OpenVMS Cluster Storage Interconnect

### 7.5 Fibre Channel Tape Support

The following configuration example uses IO CREATE\_WWID to create user-specified device names for two tapes and a medium changer within an ESL library. The commands are executed clusterwide on a 2-node cluster consisting of nodes SYSTM1 and SYSTM2. Each node has two Fibre Channel host bus adapters, PGA0 and PGB0, so multiple paths to the tape are configured.

First, the SYSMAN command IO LIST\_WWID displays a list of all previously undiscovered tape devices.

```
Systm1> mcr sysman
SYSMAN> set env/clus
%SYSMAN-I-ENV, current command environment:
      Clusterwide on local cluster
      Username SYSTEM      will be used on nonlocal nodes

SYSMAN> io list_wwid

%SYSMAN-I-OUTPUT, command execution on node SYSTM2
On port _SYSTEM2$PGA0:, the following tape WWIDs are not yet configured:

Target 8, LUN 1, HP      ESL9000 Series
WWID=0C000008:0050-8412-9DA1-0026

Target 8, LUN 2, COMPAQ  SDLT320
WWID=02000008:500E-09E0-0009-84D1

Target 8, LUN 3, COMPAQ  SDLT320
WWID=02000008:500E-09E0-0009-4E4E

On port _SYSTEM2$PGB0:, the following tape WWIDs are not yet configured:

Target 6, LUN 1, HP      ESL9000 Series
WWID=0C000008:0050-8412-9DA1-0026

Target 6, LUN 2, COMPAQ  SDLT320
WWID=02000008:500E-09E0-0009-84D1

Target 6, LUN 3, COMPAQ  SDLT320
WWID=02000008:500E-09E0-0009-4E4E

%SYSMAN-I-OUTPUT, command execution on node SYSTM1
On port _SYSTEM1$PGA0:, the following tape WWIDs are not yet configured:

Target 6, LUN 1, HP      ESL9000 Series
WWID=0C000008:0050-8412-9DA1-0026

Target 6, LUN 2, COMPAQ  SDLT320
WWID=02000008:500E-09E0-0009-84D1

Target 6, LUN 3, COMPAQ  SDLT320
WWID=02000008:500E-09E0-0009-4E4E

On port _SYSTEM1$PGB0:, the following tape WWIDs are not yet configured:

Target 5, LUN 1, HP      ESL9000 Series
WWID=0C000008:0050-8412-9DA1-0026

Target 5, LUN 2, COMPAQ  SDLT320
WWID=02000008:500E-09E0-0009-84D1

Target 5, LUN 3, COMPAQ  SDLT320
WWID=02000008:500E-09E0-0009-4E4E

%SYSMAN-I-NODERR, error returned from node SYSTM1
-SYSTEM-W-NOMORENODE, no more nodes
SYSMAN>
```



## Configuring Fibre Channel as an OpenVMS Cluster Storage Interconnect 7.5 Fibre Channel Tape Support

The previous NOMORENODE error is normal, because the command has completed on all existing nodes. Next, still in the same SYSMAN session, the user executes IO CREATE\_WWID to choose device names \$2\$GGA40, \$2\$MGA40, \$2\$MGA41.

```

SYSMAN> io create_wwid $2$GGA40/WWID=0C000008:0050-8412-9DA1-0026
%SYSMAN-I-NODERR, error returned from node SYSTM1
-SYSTEM-W-NOMORENODE, no more nodes
SYSMAN> io create_wwid $2$mga40/WWID=02000008:500E-09E0-0009-84D1
%SYSMAN-I-NODERR, error returned from node SYSTM1
-SYSTEM-W-NOMORENODE, no more nodes
SYSMAN> io create_wwid $2$mga41/WWID=02000008:500E-09E0-0009-4E4E
%SYSMAN-I-NODERR, error returned from node SYSTM1
-SYSTEM-W-NOMORENODE, no more nodes
SYSMAN>

```

The user now executes IO AUTOCONFIGURE to configure the devices. Note that both the PGA path and the PGB path are configured for each node.

```

SYSMAN> io auto/lo

%SYSMAN-I-OUTPUT, command execution on node SYSTM2
%IOGEN-I-PREFIX, searching for ICBM with prefix SYS$
%IOGEN-I-PREFIX, searching for ICBM with prefix DECW$
%IOGEN-I-FIBREPOLL, scanning for devices through FIBRE port PGA0
%IOGEN-I-CONFIGURED, configured device GGA40
%IOGEN-I-CONFIGURED, configured device MGA40
%IOGEN-I-CONFIGURED, configured device MGA41
%IOGEN-I-FIBREPOLL, scanning for devices through FIBRE port PGB0
%IOGEN-I-CONFIGURED, configured device GGA40
%IOGEN-I-CONFIGURED, configured device MGA40
%IOGEN-I-CONFIGURED, configured device MGA41

%SYSMAN-I-OUTPUT, command execution on node SYSTM1
%IOGEN-I-PREFIX, searching for ICBM with prefix SYS$
%IOGEN-I-PREFIX, searching for ICBM with prefix DECW$
%IOGEN-I-FIBREPOLL, scanning for devices through FIBRE port PGA0
%IOGEN-I-CONFIGURED, configured device GGA40
%IOGEN-I-CONFIGURED, configured device MGA40
%IOGEN-I-CONFIGURED, configured device MGA41
%IOGEN-I-FIBREPOLL, scanning for devices through FIBRE port PGB0
%IOGEN-I-CONFIGURED, configured device GGA40
%IOGEN-I-CONFIGURED, configured device MGA40
%IOGEN-I-CONFIGURED, configured device MGA41
%SYSMAN-I-NODERR, error returned from node SYSTM1
-SYSTEM-W-NOMORENODE, no more nodes
SYSMAN> exit
Systml>
Systml> sho dev/fu $2$GG

Device $2$GGA40:, device type Generic SCSI device, is online, shareable, device
has multiple I/O paths.

Error count                0      Operations completed                0
Owner process              ""      Owner UIC                          [SYSTEM]
Owner process ID          00000000  Dev Prot   S:RWPL,O:RWPL,G:RWPL,W:RWPL
Reference count           0      Default buffer size                 0
WWID   0C000008:0050-8412-9DA1-0026

I/O paths to device                2
Path PGA0.1000-00E0-0242-86ED (SYSTM1), primary path, current path.
Error count                0      Operations completed                0
Path PGB0.1000-00E0-0222-86ED (SYSTM1).
Error count                0      Operations completed                0

```

## Configuring Fibre Channel as an OpenVMS Cluster Storage Interconnect

### 7.5 Fibre Channel Tape Support

```
Systml> sho dev/fu $2$MG
Magtape $2$MGA40: (SYSTM1), device type COMPAQ SDLT320, is online, file-oriented
device, available to cluster, device has multiple I/O paths, error logging
is enabled, device supports fastskip (per_io).

Error count          0      Operations completed          2
Owner process        ""      Owner UIC                    [SYSTEM]
Owner process ID     00000000  Dev Prot                     S:RWPL,O:RWPL,G:R,W
Reference count      0      Default buffer size          2048
WWID 02000008:500E-09E0-0009-84D1
Density              default  Format                        Normal-11
Host name            "SYSTM1"  Host type, avail AlphaServer DS10 466 MHz, yes
Alternate host name  "SYSTM2"  Alt. type, avail AlphaServer DS10 466 MHz, no
Allocation class     2

Volume status: no-unload on dismount, position lost, odd parity.

I/O paths to device  2
Path PGA0.1000-00E0-0242-86ED (SYSTM1), primary path, current path.
Error count          0      Operations completed          1
Path PGB0.1000-00E0-0222-86ED (SYSTM1).
Error count          0      Operations completed          1

Magtape $2$MGA41: (SYSTM1), device type COMPAQ SDLT320, is online, file-oriented
device, available to cluster, device has multiple I/O paths, error logging
is enabled, device supports fastskip (per_io).

Error count          0      Operations completed          0
Owner process        ""      Owner UIC                    [SYSTEM]
Owner process ID     00000000  Dev Prot                     S:RWPL,O:RWPL,G:R,W
Reference count      0      Default buffer size          2048
WWID 02000008:500E-09E0-0009-4E4E
Density              default  Format                        Normal-11
Host name            "SYSTM1"  Host type, avail AlphaServer DS10 466 MHz, yes
Alternate host name  "SYSTM2"  Alt. type, avail AlphaServer DS10 466 MHz, no
Allocation class     2

Volume status: no-unload on dismount, position lost, odd parity.

I/O paths to device  2
Path PGA0.1000-00E0-0242-86ED (SYSTM1), primary path, current path.
Error count          0      Operations completed          0
Path PGB0.1000-00E0-0222-86ED (SYSTM1).
Error count          0      Operations completed          0

Systml>
```

#### 7.5.5 Changing the Name of an Existing Fibre Channel Tape Device

Because SYS\$SYSTEM:SYS\$DEVICES.DAT is a text file, you can edit it but only to change the unit number of a Fibre Channel tape or medium changer device. However, as stated earlier, Fibre Channel tape and medium changer device information is stored internally by OpenVMS using clusterwide data structures, specifically clusterwide logical names. To clean up these data structures, you must do a complete cluster shutdown. A rolling reboot (leaving at least one node up during the reboot of other nodes) is inadequate to clean up the structures.

The specific steps for changing an existing device name follow:

1. Edit the SYS\$SYSTEM:SYS\$DEVICES.DAT file to change the unit number of the chosen device. In the basic \$2\$MGA $nnnn$  or \$2\$GGAN $nnnn$  format, only the  $nnnn$  portion can be edited. The maximum allowed value for  $nnnn$  is 9999 and must be decimal. Be sure to choose a unit number that is not already in use by another device for that device type.



## Configuring Fibre Channel as an OpenVMS Cluster Storage Interconnect

### 7.5 Fibre Channel Tape Support

For example, if `$2$MGA26` is already associated with the WWID of another tape, then choose a unit number other than 26; if `$2$GGA4` is already associated with the WWID of another medium changer, then choose a unit number other than 4.

2. If there are multiple system disks in the cluster, edit each of the `SYS$DEVICES.DAT` files in the same way.
3. Shut down the entire cluster to clean up existing cluster data structures.
4. Reboot the cluster. The new device names will automatically appear.

#### 7.5.6 Moving a Physical Tape Device on Fibre Channel

When you move a tape or medium changer device without changing its name, rebooting is not required. However, you must ensure that the NSR or MDR has assigned a FC LUN to the device at its new location, and you must then run `SYSMAN IO AUTOCONFIGURE` to configure the new physical path to the device. For changers only, you must also manually switch the changer to the new path using the `SET DEVICE/SWITCH/PATH=new_path` command. The previous paths will still show up in the `SHOW DEV/FULL` display, but those paths will be stale and unused, with no harmful side effects; after the next reboot the stale paths will disappear.

#### 7.5.7 Swapping Out an NSR on Fibre Channel

You can swap out an NSR without rebooting the Alpha OpenVMS system. (This capability was introduced in OpenVMS Alpha Version 7.3-1.)

After attaching the new NSR, use the Mapping submenu in the Visual Manager to populate the Indexed map on each Fibre Channel port of the NSR and reboot the NSR. An alternative way to map the new NSR is to copy the `.cfg` file from the previous NSR via the NSR's FTP utility.

Once the Indexed map is populated, run `SYSMAN IO AUTOCONFIGURE` to configure the new physical paths to the tape. For changers only, you must also manually switch the changer to the new path using the `SET DEVICE/SWITCH/PATH=new_path` command. The previous paths will still show up in the `SHOW DEV/FULL` display, but those paths will be stale and unused, with no harmful side effects; after the next reboot the stale paths will disappear.

#### 7.5.8 Serving a Fibre Channel Tape Device

In general, all OpenVMS Alpha Version 7.2-2 or later nodes in an OpenVMS Cluster have a direct path to Fibre Channel tape devices if the nodes are connected to the same Fibre Channel fabric as the NSR (or MDR). VAX nodes and Alpha nodes running earlier versions of OpenVMS, as TMSCP clients, can be served Fibre Channel tape devices by an OpenVMS Alpha Version 7.2-2 or later node. To provide this feature, pre-Version 7.3 VAX nodes require the latest update kit for `TUDRIVER.EXE`, and pre-Version 7.2-2 Alpha nodes require the latest update kit for `SYS$TUDRIVER.EXE`.

Medium changers, whether connected to Fibre Channel or to parallel SCSI, cannot be TMSCP served.

## Configuring Fibre Channel as an OpenVMS Cluster Storage Interconnect

### 7.5 Fibre Channel Tape Support

#### 7.5.9 Replacing a Fibre Channel Tape Device

If one tape drive must be physically replaced by another tape drive at the same FC LUN location within the MDR or NSR, update the appropriate data structures with the IO REPLACE\_WWID command.

For example, you may need to replace a defective tape drive with a new drive without rebooting the cluster, and that drive may need to retain the device name of the previous tape at that location.

The replacement device should have the same SCSI target ID as the original device. Cease all activity on the device, then type the following command to update all the necessary file and memory data structures with the WWID of the new tape drive:

```
$ MCR SYSMAN IO REPLACE_WWID $2$MGA1
```

Execute this command on each Alpha node in the cluster environment. You can accomplish this with the following commands:

```
$ MCR SYSMAN
SYSMAN> SET ENVIRONMENT/CLUSTER
SYSMAN> IO REPLACE_WWID $2$MGA1
```

In some cases, this command may fail because the device name \$2\$MGA1 no longer exists in the SHOW DEVICE display. This happens when the system has been rebooted some time after the drive has malfunctioned. In such a case, you must specify both the device name and the WWID, as shown in the following example.

The WWID must be the WWID of the new device that resides at the same Port/Target/LUN location as the replaced device. (To determine the value of the WWID that resides at a particular Port/Target/LUN location, use the SYSMAN IO LIST\_WWID command.)

```
$ MCR SYSMAN
SYSMAN> SET ENVIRONMENT/CLUSTER
SYSMAN> IO REPLACE_WWID $2$MGA1/WWID=02000008:500E-09E0-0009-4E44
```

---

#### Note

---

This command should *not* be used to rename devices or redefine WWID correlations. The specified WWID must not be associated with any other device name in the cluster.

---

#### 7.5.10 Determining the Physical Location of a Fibre Channel Tape Device

Given the name of a Fibre Channel tape device, it is helpful to know how to locate the Fibre Channel tape device. To do so, follow these steps:

1. From the system manager's account, run ANALYZE/SYSTEM.
2. At the SDA prompt, type CLUE SCSI/SUMMARY.
3. Search for the name of the device (for example, MGA3) in the column labeled DEVICE.
4. Note the corresponding value in the column labeled SCSI-LUN. This SCSI LUN value is the same value used by the MDR or NSR as the FC LUN. Also note the columns labeled Port and SCSI-ID for the device; all devices

## Configuring Fibre Channel as an OpenVMS Cluster Storage Interconnect

### 7.5 Fibre Channel Tape Support

associated with that same port and SCSI-ID are attached to the same physical Fibre Channel port of the same MDR or NSR.

5. For the NSR, enter the Mapping submenu of the Visual Manager and click on Edit/View next to the Select Map box to display the Indexed Map for the current port.

In the column labeled FC LUN, locate the value noted in step 4. Once you find the FC LUN value, note (on the same line) the corresponding values for SCSI Bus, SCSI Target ID, and SCSI LUN. This B:T:L information describes the physical location of the device within the NSR. Additional device information is available by clicking on 'Report' in the main menu of the Visual Manager.

If an MDR is being used, at the MDR console's AMC prompt, similar information is available by typing ShowFcScsiMap.

#### 7.5.11 Accessing a Fibre Channel Tape Device in a Standalone Environment

Fibre Channel tape devices can be configured in the context of booting from the Version 7.3 CDROM distribution kit. The configuration steps are the same as the steps described in Section 7.5.4. Specifically, you must use the SYSMAN IO FIND\_WWID and IO AUTOCONFIGURATION commands to configure the tape devices prior to use.

The file, SYS\$DEVICES.DAT, is not created in this environment; therefore all pertinent naming information is stored in the memory data structures. Each time the CDROM is booted, you must repeat the IO FIND\_WWID and IO AUTOCONFIGURE commands to name and configure the tape devices.

Note that the name of a Fibre Channel tape device in the CDROM boot environment does not persist through reboots, and may differ from the name that is assigned when booting from a read/write system disk.

#### 7.5.12 Using an NSR or MDR With Dual FC Ports Prior to Version 7.3-1

When Fibre Channel tape support was introduced in OpenVMS Alpha Version 7.3 and Version 7.2-2, multiple paths were not supported. The information in this section pertains only to OpenVMS Alpha Version 7.3 and Version 7.2-2.

Each Fibre Channel port on an MDR supports up to eight devices (potentially more on some NSR configurations). Therefore a dual Fibre Channel port module allows support for at least 16 devices (two sets of eight devices each). To achieve proper load balancing between the two ports of a dual-port module for systems running OpenVMS Alpha Version 7.3, refer to the MDR documentation for instructions on using Selective Storage Presentation (SSP) to assign a specific device to a specific MDR port. The NSR offers similar features using custom maps, as described in the NSR documentation.

Even if multiple paths exist (because of the presence of a dual Fibre port module, or even because of multiple KGPSA adapters in the host), only the first path detected during autoconfiguration is used. Therefore, it is important to issue the SSP load-balancing commands before issuing the SYSMAN command IO AUTOCONFIGURE. Also note that, when multiple paths exist to a Fibre Channel tape device, the SYSMAN command IO FIND\_WWID will continue to detect and report the presence of the device on such extraneous paths, even though IO AUTOCONFIGURE will not subsequently configure or otherwise allow access to the device on those paths.

## Configuring Fibre Channel as an OpenVMS Cluster Storage Interconnect

### 7.5 Fibre Channel Tape Support

#### 7.5.13 Multipath Tape Support

Multipath tape support was introduced in OpenVMS Alpha Version 7.3-1. In a Fibre Channel configuration with SCSI tape devices attached to the Fibre Channel by means of an NSR (or MDR), multiple paths can exist from an Alpha host to a SCSI tape. For example, an AlphaServer host with four KGPSA adapters has four distinct paths to a tape on the Fibre Channel. Furthermore, the NSR itself can be dual ported, allowing two paths into the NSR. An AlphaServer system with four KGPSAs leading to a dual-port NSR actually has eight different paths from the AlphaServer system to a given tape drive.

OpenVMS Alpha Version 7.3-1 (and later) configures and makes available all possible paths from an Alpha system to the SCSI tape, whereas OpenVMS Alpha Version 7.3 uses only the first path detected during autoconfiguration. You can specify a particular path with the DCL command SET DEVICE/SWITCH. Moreover, in the event of a broken connection, automatic failover takes place.

---

#### Note

---

Multipath failover between direct and MSCP-served paths is not supported for tape devices (unlike multipath failover between direct and MSCP-served paths for SCSI and Fibre Channel disks introduced in this release).

However, there is support for *TMSCP clients* of multipath sets, in which all members of the serving multipath set must be directly connected to the Fibre Channel. If one member of the set fails, another member will provide the local path to the device for use by the client.

---

## 7.6 Using the AlphaServer Console for Configuring FC (Alpha Only)

The AlphaServer console can be used to view the status of an FC interconnect. This allows you to confirm that the interconnect is set up properly before booting. If you plan to use an FC disk device for booting or dumping, you must perform some additional steps to set up those FC disk devices at the console. These topics are discussed in the next sections.

### 7.6.1 Viewing the FC Configuration from the Console

Console SHOW commands can be used to display information about the devices that the console detected when it last probed the system's I/O adapters. Unlike other interconnects, however, FC disk devices are not automatically included in the SHOW DEVICE output. This is because FC devices are identified by their WWIDs, and WWIDs are too large to be included in the SHOW DEVICE output. Instead, the console provides a command for managing WWIDs, named the `wwidmgr` command. This command enables you to display information about FC devices and to define appropriate device names for the FC devices that will be used for booting and dumping.

Note the following points about using the `wwidmgr` command:

- To use the `wwidmgr` command, if your system is an AlphaServer model 8x00, 4x00, or 1200, you must first enter diagnostic mode. On all other platforms, the `wwidmgr` command can be issued at any time.

## Configuring Fibre Channel as an OpenVMS Cluster Storage Interconnect 7.6 Using the AlphaServer Console for Configuring FC (Alpha Only)

- The changes made by the `wwidmgr` command do not take effect until after the next system initialization. After using the `wwidmgr` command, you must issue the `initialize` command.

Refer to the *Wwidmgr Users' Manual* for a complete description of the `wwidmgr` command. (The *Wwidmgr Users' Manual* is available in the [.DOC] directory of the Alpha Systems Firmware Update CD-ROM.)

The following examples, produced on an AlphaServer 4100 system, show some typical uses of the `wwidmgr` command. Other environments may require additional steps to be taken, and the output on other systems may vary slightly.

Note the following about Example 7–1:

- The `wwidmgr -show wwid` command displays a summary of the FC devices on the system. This command does not display information about device connectivity.
- There are two FC adapters and five disks. (All the disks are listed at the end, independent of the adapters to which they are connected.) In this example, each of the disks was assigned a device identifier at the HSG80 console. The console refers to this identifier as a user-assigned device identifier (UDID).

### Example 7–1 Using `wwidmgr -show wwid`

```
P00>>>set mode diag
Console is in diagnostic mode
P00>>>wwidmgr -show wwid
polling kgpsaa0 (KGPSA-B) slot 2, bus 0 PCI, hose 1
kgpsaa0.0.0.2.1          PGA0          WWN 1000-0000-c920-a7db
polling kgpsa1 (KGPSA-B) slot 3, bus 0 PCI, hose 1
kgpsab0.0.0.3.1          PGB0          WWN 1000-0000-c920-a694
[0] UDID:10 WWID:01000010:6000-1fe1-0000-0d10-0009-8090-0677-0016 (ev:none)
[1] UDID:50 WWID:01000010:6000-1fe1-0000-0d10-0009-8090-0677-0026 (ev:none)
[2] UDID:51 WWID:01000010:6000-1fe1-0000-0d10-0009-8090-0677-0027 (ev:none)
[3] UDID:60 WWID:01000010:6000-1fe1-0000-0d10-0009-8090-0677-0021 (ev:none)
[4] UDID:61 WWID:01000010:6000-1fe1-0000-0d10-0009-8090-0677-0022 (ev:none)
```

Example 7–2 shows how the `wwidmgr show wwid -full` command displays information about FC devices and how they are connected. The display has two parts:

- The first part lists each path from an adapter to an FC port. Adapters are identified by console device names, such as `KGPSAA`. FC ports are identified by their `WWID`, such as `5000-1FE1-0000-0D14`. If any FC disks are found on a path, they are listed after that path. FC disks are identified by their current console device name, followed by their `WWID`.
- The second part of the display lists all the FC disks and the paths through which they are reachable. In this part, which begins with `[0] UDID:10...`, you will see there are four paths to each disk with two paths through each adapter, `KGPSAA` and `KGPSAB`. Each path through an adapter goes to a different port on the HSG or HSV. The column titled `Con` indicates whether the FC disk unit is currently online to the HSG or HSV controller that this path uses.

## Configuring Fibre Channel as an OpenVMS Cluster Storage Interconnect 7.6 Using the AlphaServer Console for Configuring FC (Alpha Only)

### Example 7-2 Using wwidmgr -show wwid -full

```
P00>>>wwidmgr -show wwid -full
kgpsaa0.0.0.2.1
- Port: 1000-0000-c920-a7db

kgpsaa0.0.0.2.1
- Port: 2007-0060-6900-075b

kgpsaa0.0.0.2.1
- Port: 20fc-0060-6900-075b

kgpsaa0.0.0.2.1
- Port: 5000-1fe1-0000-0d14
- dga12274.13.0.2.1 WWID:01000010:6000-1fe1-0000-0d10-0009-8090-0677-0016
- dga15346.13.0.2.1 WWID:01000010:6000-1fe1-0000-0d10-0009-8090-0677-0026
- dga31539.13.0.2.1 WWID:01000010:6000-1fe1-0000-0d10-0009-8090-0677-0027
- dga31155.13.0.2.1 WWID:01000010:6000-1fe1-0000-0d10-0009-8090-0677-0021
- dga30963.13.0.2.1 WWID:01000010:6000-1fe1-0000-0d10-0009-8090-0677-0022

kgpsaa0.0.0.2.1
- Port: 5000-1fe1-0000-0d11
- dga12274.14.0.2.1 WWID:01000010:6000-1fe1-0000-0d10-0009-8090-0677-0016
- dga15346.14.0.2.1 WWID:01000010:6000-1fe1-0000-0d10-0009-8090-0677-0026
- dga31539.14.0.2.1 WWID:01000010:6000-1fe1-0000-0d10-0009-8090-0677-0027
- dga31155.14.0.2.1 WWID:01000010:6000-1fe1-0000-0d10-0009-8090-0677-0021
- dga30963.14.0.2.1 WWID:01000010:6000-1fe1-0000-0d10-0009-8090-0677-0022

kgpsab0.0.0.3.1
- Port: 1000-0000-c920-a694

kgpsab0.0.0.3.1
- Port: 2007-0060-6900-09b8

kgpsab0.0.0.3.1
- Port: 20fc-0060-6900-09b8

kgpsab0.0.0.3.1
- Port: 5000-1fe1-0000-0d13
- dgb12274.13.0.3.1 WWID:01000010:6000-1fe1-0000-0d10-0009-8090-0677-0016
- dgb15346.13.0.3.1 WWID:01000010:6000-1fe1-0000-0d10-0009-8090-0677-0026
- dgb31539.13.0.3.1 WWID:01000010:6000-1fe1-0000-0d10-0009-8090-0677-0027
- dgb31155.13.0.3.1 WWID:01000010:6000-1fe1-0000-0d10-0009-8090-0677-0021
- dgb30963.13.0.3.1 WWID:01000010:6000-1fe1-0000-0d10-0009-8090-0677-0022

kgpsab0.0.0.3.1
- Port: 5000-1fe1-0000-0d12
- dgb12274.14.0.3.1 WWID:01000010:6000-1fe1-0000-0d10-0009-8090-0677-0016
- dgb15346.14.0.3.1 WWID:01000010:6000-1fe1-0000-0d10-0009-8090-0677-0026
- dgb31539.14.0.3.1 WWID:01000010:6000-1fe1-0000-0d10-0009-8090-0677-0027
- dgb31155.14.0.3.1 WWID:01000010:6000-1fe1-0000-0d10-0009-8090-0677-0021
- dgb30963.14.0.3.1 WWID:01000010:6000-1fe1-0000-0d10-0009-8090-0677-0022

[0] UDID:10 WWID:01000010:6000-1fe1-0000-0d10-0009-8090-0677-0016 (ev:none)
- current unit:12274 current col: 0 default unit:12274
  via adapter      via fc nport      Con    DID    Lun
-   kgpsaa0.0.0.2.1 5000-1fe1-0000-0d14 Yes   210013   10
-   kgpsaa0.0.0.2.1 5000-1fe1-0000-0d11 No    210213   10
-   kgpsab0.0.0.3.1 5000-1fe1-0000-0d13 Yes   210013   10
-   kgpsab0.0.0.3.1 5000-1fe1-0000-0d12 No    210213   10

[1] UDID:50 WWID:01000010:6000-1fe1-0000-0d10-0009-8090-0677-0026 (ev:none)
- current unit:15346 current col: 0 default unit:15346
  via adapter      via fc nport      Con    DID    Lun
-   kgpsaa0.0.0.2.1 5000-1fe1-0000-0d14 Yes   210013   50
-   kgpsaa0.0.0.2.1 5000-1fe1-0000-0d11 No    210213   50
-   kgpsab0.0.0.3.1 5000-1fe1-0000-0d13 Yes   210013   50
-   kgpsab0.0.0.3.1 5000-1fe1-0000-0d12 No    210213   50
```

(continued on next page)



## Configuring Fibre Channel as an OpenVMS Cluster Storage Interconnect 7.6 Using the AlphaServer Console for Configuring FC (Alpha Only)

### Example 7–2 (Cont.) Using `wwidmgr -show wwid -full`

```
[2] UDID:51 WWID:01000010:6000-1fe1-0000-0d10-0009-8090-0677-0027 (ev:none)
- current_unit:31539 current_col: 0 default_unit:31539
  via adapter      via fc_nport    Con    DID    Lun
-   kgpsaa0.0.0.2.1 5000-1fe1-0000-0d14 Yes   210013  51
-   kgpsaa0.0.0.2.1 5000-1fe1-0000-0d11 No    210213  51
-   kgpsab0.0.0.3.1 5000-1fe1-0000-0d13 Yes   210013  51
-   kgpsab0.0.0.3.1 5000-1fe1-0000-0d12 No    210213  51

[3] UDID:60 WWID:01000010:6000-1fe1-0000-0d10-0009-8090-0677-0021 (ev:none)
- current_unit:31155 current_col: 0 default_unit:31155
  via adapter      via fc_nport    Con    DID    Lun
-   kgpsaa0.0.0.2.1 5000-1fe1-0000-0d14 Yes   210013  60
-   kgpsaa0.0.0.2.1 5000-1fe1-0000-0d11 No    210213  60
-   kgpsab0.0.0.3.1 5000-1fe1-0000-0d13 Yes   210013  60
-   kgpsab0.0.0.3.1 5000-1fe1-0000-0d12 No    210213  60

[4] UDID:61 WWID:01000010:6000-1fe1-0000-0d10-0009-8090-0677-0022 (ev:none)
- current_unit:30963 current_col: 0 default_unit:30963
  via adapter      via fc_nport    Con    DID    Lun
-   kgpsaa0.0.0.2.1 5000-1fe1-0000-0d14 Yes   210013  61
-   kgpsaa0.0.0.2.1 5000-1fe1-0000-0d11 No    210213  61
-   kgpsab0.0.0.3.1 5000-1fe1-0000-0d13 Yes   210013  61
-   kgpsab0.0.0.3.1 5000-1fe1-0000-0d12 No    210213  61
```

### 7.6.2 Setting Up FC Disks for Booting and Dumping

You must use the `wwidmgr` command to set up each device that you will use for booting or dumping. Once a device is set up, the console retains the information it requires to access the device in nonvolatile memory. You only have to rerun the `wwidmgr` command if the system configuration changes and the nonvolatile information is no longer valid.

The console provides a simplified setup command, called `wwidmgr -quickset`. This command can be used in either of the following cases:

- You are setting up just one device.
- All the devices you are setting up are accessed through the same ports on the HSG or HSV.

If neither description applies to your configuration, refer to the *Wwidmgr Users' Manual* for additional instructions.

Example 7–3 illustrates the `wwidmgr -quickset` command. Note the following:

- The command `wwidmgr -quickset -udid 10` sets up the FC disk whose HSG or HSV device identifier is equal to 10.
- The console device names are path dependent. Each path used to access an FC disk has a different name. In this example, the `wwidmgr -quickset` command establishes four console device names corresponding to the four paths from the host to the FC disk:
  - `dga10.1001.0.2.1`
  - `dga10.1002.0.2.1`
  - `dgb10.1003.0.3.1`
  - `dgb10.1004.0.3.1`

## Configuring Fibre Channel as an OpenVMS Cluster Storage Interconnect 7.6 Using the AlphaServer Console for Configuring FC (Alpha Only)

- The second command, `wwidmgr -quickset -udid 50`, sets up the FC disk whose HSG or HSV identifier is equal to 50.
- The changes made by the `wwidmgr` command do not take effect until after the next system initialization, so the next step is to issue an `initialize` command.
- After the initialization, the console `show device` command displays each FC adapter, followed by the paths through that adapter to each of the defined FC disks. The path-independent OpenVMS device name for each FC disk is displayed in the second column.

### Example 7-3 Using `widmgr -quickset`

```
P00>>>wwidmgr -quickset -udid 10
```

```
Disk assignment and reachability after next initialization:
```

```
6000-1fe1-0000-0d10-0009-8090-0677-0016
      via adapter:          via fc nport:          connected:
dga10.1001.0.2.1      kgpsaa0.0.0.2.1      5000-1fe1-0000-0d14      Yes
dga10.1002.0.2.1      kgpsaa0.0.0.2.1      5000-1fe1-0000-0d11      No
dgb10.1003.0.3.1      kgpsab0.0.0.3.1      5000-1fe1-0000-0d13      Yes
dgb10.1004.0.3.1      kgpsab0.0.0.3.1      5000-1fe1-0000-0d12      No
P00>>>wwidmgr -quickset -udid 50
```

```
Disk assignment and reachability after next initialization:
```

```
6000-1fe1-0000-0d10-0009-8090-0677-0016
      via adapter:          via fc nport:          connected:
dga10.1001.0.2.1      kgpsaa0.0.0.2.1      5000-1fe1-0000-0d14      Yes
dga10.1002.0.2.1      kgpsaa0.0.0.2.1      5000-1fe1-0000-0d11      No
dgb10.1003.0.3.1      kgpsab0.0.0.3.1      5000-1fe1-0000-0d13      Yes
dgb10.1004.0.3.1      kgpsab0.0.0.3.1      5000-1fe1-0000-0d12      No
```

```
6000-1fe1-0000-0d10-0009-8090-0677-0026
      via adapter:          via fc nport:          connected:
dga50.1001.0.2.1      kgpsaa0.0.0.2.1      5000-1fe1-0000-0d14      Yes
dga50.1002.0.2.1      kgpsaa0.0.0.2.1      5000-1fe1-0000-0d11      No
dgb50.1003.0.3.1      kgpsab0.0.0.3.1      5000-1fe1-0000-0d13      Yes
dgb50.1004.0.3.1      kgpsab0.0.0.3.1      5000-1fe1-0000-0d12      No
```

```
P00>>>initialize
```

```
Initializing...
```

```
P00>>>show device
```

```
polling ncr0 (NCR 53C810) slot 1, bus 0 PCI, hose 1   SCSI Bus ID 7
dka500.5.0.1.1      DKA500      RRD45 1645
polling kgpsa0 (KGPSA-B) slot 2, bus 0 PCI, hose 1
kgpsaa0.0.0.2.1      PGA0      WWN 1000-0000-c920-a7db
dga10.1001.0.2.1      $1$DGA10      HSG80 R024
dga50.1001.0.2.1      $1$DGA50      HSG80 R024
dga10.1002.0.2.1      $1$DGA10      HSG80 R024
dga50.1002.0.2.1      $1$DGA50      HSG80 R024
polling kgpsa1 (KGPSA-B) slot 3, bus 0 PCI, hose 1
kgpsab0.0.0.3.1      PGB0      WWN 1000-0000-c920-a694
dgb10.1003.0.3.1      $1$DGA10      HSG80 R024
dgb50.1003.0.3.1      $1$DGA50      HSG80 R024
dgb10.1004.0.3.1      $1$DGA10      HSG80 R024
dgb50.1004.0.3.1      $1$DGA50      HSG80 R024
polling isp0 (QLogic ISP1020) slot 4, bus 0 PCI, hose 1   SCSI Bus ID 15
dkb0.0.0.4.1      DKB0      RZ1CB-CS 0844
dkb100.1.0.4.1      DKB100      RZ1CB-CS 0844
```

(continued on next page)



## Configuring Fibre Channel as an OpenVMS Cluster Storage Interconnect 7.6 Using the AlphaServer Console for Configuring FC (Alpha Only)

### Example 7-3 (Cont.) Using wwidmgr -quickset

```
polling floppy0 (FLOPPY) PCEB - XBUS hose 0
dva0.0.0.1000.0   DVA0                RX23
polling ncr1 (NCR 53C810) slot 4, bus 0 PCI, hose 0   SCSI Bus ID 7
dkc0.0.0.4.0     DKC0                RZ29B 0007
polling tulip0 (DECchip 21040-AA) slot 3, bus 0 PCI, hose 0
ewa0.0.0.3.0     00-00-F8-21-09-74 Auto-Sensing
```

Example 7-4 shows a boot sequence from an FC system disk. Note the following:

- The boot device is \$1\$DGA50. The user has elected to enter all four paths to the device in the bootdef\_dev string. This ensures that the system will be able to boot even if a path has failed.
- The first path on the boot command string, dga50.1002.0.2.1, is not currently connected (that is, the disk is not on line to the HSG80 on that path). The console indicates this fact, retries a few times, then moves on to the next path in the bootdef\_dev string. This path is currently connected, and the boot succeeds.
- After booting, the OpenVMS SHOW DEVICE command confirms that OpenVMS has configured all five of the FC devices that were displayed by the wwidmgr -show wwid command, not only the two FC disks that were set up using the console wwidmgr -quickset command. The OpenVMS SHOW DEVMULTIPATH command confirms that OpenVMS has configured all four paths to each disk.

### Example 7-4 Boot Sequence from an FC System Disk

```
P00>>>set bootdef_dev dga50.1002.0.2.1,dga50.1001.0.2.1,dgb50.1003.0.3.1,
dgb50.1004.0.3.1
P00>>>b
(boot dga50.1002.0.2.1 -flags 0,0)
dga50.1002.0.2.1 is not connected
dga50.1002.0.2.1 is not connected
dga50.1002.0.2.1 is not connected
dga50.1002.0.2.1 is not connected
failed to open dga50.1002.0.2.1
(boot dga50.1001.0.2.1 -flags 0,0)
block 0 of dga50.1001.0.2.1 is a valid boot block
reading 919 blocks from dga50.1001.0.2.1
bootstrap code read in
Building FRU table
base = 200000, image_start = 0, image_bytes = 72e00
initializing HWRPB at 2000
initializing page table at 1f2000
initializing machine state
setting affinity to the primary CPU
jumping to bootstrap code

    OpenVMS (TM) Alpha Operating System, Version V7.2
...
$ SHOW DEVICE
```

(continued on next page)

## Configuring Fibre Channel as an OpenVMS Cluster Storage Interconnect

### 7.6 Using the AlphaServer Console for Configuring FC (Alpha Only)

#### Example 7-4 (Cont.) Boot Sequence from an FC System Disk

```

Device          Device          Error   Volume      Free  Trans  Mnt
Name            Status          Count   Label       Blocks Count  Cnt
$1$DGA10:      (FCNOD1)       Online   0
$1$DGA50:      (FCNOD1)       Mounted  0   V72_SSB    4734189  303  1
$1$DGA51:      (FCNOD1)       Online   0
$1$DGA60:      (FCNOD1)       Online   0
$1$DGA61:      (FCNOD1)       Online   0

$ SHOW LOGICAL SYS$SYSDEVICE
  "SYS$SYSDEVICE" = "$1$DGA50:" (LNM$SYSTEM_TABLE)

$ SHO DEV/MULTI

Device          Device          Error   Current
Name            Status          Count  Paths   path
$1$DGA10:      (FCNOD1)       Online  0   4/ 4   PGB0.5000-1FE1-0000-0D11
$1$DGA50:      (FCNOD1)       Mounted 0   4/ 4   PGA0.5000-1FE1-0000-0D12
$1$DGA51:      (FCNOD1)       Online  0   4/ 4   PGA0.5000-1FE1-0000-0D13
$1$DGA60:      (FCNOD1)       Online  0   4/ 4   PGB0.5000-1FE1-0000-0D14
$1$DGA61:      (FCNOD1)       Online  0   4/ 4   PGB0.5000-1FE1-0000-0D11
Device          Device          Error   Current
Name            Status          Count  Paths   path
$1$GGA42:      Online          0     4/ 4   PGB0.5000-1FE1-0000-0D11

```

## 7.7 Booting on a Fibre Channel Storage Device on OpenVMS I64 Systems

This section describes how to boot the fibre channel (FC) storage device on OpenVMS I64 systems. FC storage is supported on all storage arrays that are supported on OpenVMS systems.

OpenVMS I64 Version 8.2 supports the HP A6826A, a PCI-X dual-channel, 2-Gb Fibre Channel host-based adapter (HBA) and its variants. The A6826A HBA requires the following software and firmware:

- EFI driver Version 1.40
- RISC firmware Version 3.03.001

Fibre channel device booting supports point-to-point topology. There is no plan to support FC arbitrated loop topology.

### 7.7.1 Installing the Bootable Firmware

Before you can boot on a FC device on OpenVMS I64 systems, you must update the EFI bootable firmware of the flash memory of the FC HBA.

To flash the memory of the FC HBA, update the firmware of the following components:

- EFI driver firmware
- RISC firmware
- NVRAM resident in the FLASH ROM on the HBA

To update the firmware, use the `efiutil.efi` utility, which is located on the IPF Offline Diagnostics and Utilities CD.

## Configuring Fibre Channel as an OpenVMS Cluster Storage Interconnect 7.7 Booting on a Fibre Channel Storage Device on OpenVMS I64 Systems

To perform these firmware updates, complete the following steps:

1. Insert the IPF Offline Diagnostics and Utilities IPF 0409 5971-4257 Sept 2004 CD. You can obtain the image file in either of the following ways:

- Order the image free of charge from the HP Software Depot site main page:

<http://www.software.hp.com>

Type “ipf offline” in the Search bar.

- Download a master .iso image file and burn your own CD locally by navigating to the HP Support and Drivers website:

<http://welcome.hp.com/country/us/en/support.html>

Select your server product in the Support your Product bar.

2. To flash all adapters found on the system in batch mode, select the EFI Shell from the Boot Options list on the EFI Boot Manager menu.

At the EFI console, enter the following commands (where fs0: represents the bootable partition on the CD-ROM):

- a. `fs0:\efi\hp\tools\io_cards\fc2p2g\ efiutil all info`

This command provides the current EFI driver and RISC firmware version on all adapters in the system.

- b. `fs0:\efi\hp\tools\io_cards\fc2p2g\ efiutil all efi_write`

This command updates the EFI driver.

- c. `fs0:\efi\hp\tools\io_cards\fc2p2g\ efiutil all risc_fw_write`

This command updates the RISC firmware.

- d. `fs0:\efi\hp\tools\io_cards\fc2p2g\ efiutil all nvram_write`

This command updates the NVRAM.

- e. `fs0:\> reset`

This command resets the system.

3. Alternatively, you can flash each adapter separately by specifying the adapter ID and firmware file name to write to the ROM, as follows:

- a. Boot the entry that corresponds to the DVD-ROM from the Boot Options list; or specify the CD Media by selecting the “Boot Option Maintenance Menu,” then selecting “Boot from a File,” then selecting “Removable Media Boot.”

- b. From the CD main menu, select “View I/O Cards FW Update and Configuration Utilities, and MCA Menu,” then select “2Gb Fibre Channel HBA Utility.” This invokes the efiutil CLI utility and displays a list of fibre channel adapters found in the system.

- c. Select the fibre channel adapter by specifying the index number. Update the EFI driver, RISC firmware driver, and the NVRAM. Repeat this step until all adapters have been updated. For example:

```
efiutil.efi> adapter
Adapter index number [0]?
efiutil.efi> efi write
efiutil.efi> risc_fw write
efiutil.efi> nvram_write
```

## Configuring Fibre Channel as an OpenVMS Cluster Storage Interconnect

### 7.7 Booting on a Fibre Channel Storage Device on OpenVMS I64 Systems

- d. Exit the efiutil CLI by typing Quit from the utility. This will bring you to the “I/O Cards Firmware and Configuration Menu.” Type q to return to the Main Menu. From the Main Menu, select X to exit and reboot the system.

#### 7.7.2 Checking the Firmware Version

You can check the installation of the firmware version in two ways: from the console during system initialization, or by using the efiutil utility:

- The firmware version is shown in the booting console message that is displayed during system initialization, as shown in the following example:

```
HP 2 Port 2Gb Fibre Channel Adapter (driver 1.40, firmware 3.03.001)
```

- The firmware version number is also shown in the display of the efiutil info command:

```
fs0:\efi\hp\tools\io_cards\fc2p2g\efiutil info
```

```
Fibre Channel Card Efi Utility 1.20 (1/30/2003)
```

```
2 Fibre Channel Adapters found:
```

Adapter	Path	WWN	Driver (Firmware)
A0	Acpi(000222F0,200)/Pci(1 0)	50060B00001CF2DC	1.40 (3.03.001)
A1	Acpi(000222F0,200)/Pci(1 1)	50060B00001CF2DE	1.40 (3.03.001)

#### 7.7.3 Configuring the Boot Device Paths on the FC

For configuration booting on a Fibre Channel storage device, HP recommends that you use the OpenVMS I64 Boot Manager (BOOT\_OPTIONS.COM) after completing the installation of HP OpenVMS Version 8.2. Follow these steps:

1. From the OpenVMS Installation Menu, choose Option 7 “Execute DCL commands and procedures” to access the DCL prompt.
2. At the DCL prompt, enter the following command to invoke the OpenVMS I64 Boot Manager utility:

```
$$$ @SYS$MANAGER:BOOT_OPTIONS
```

3. When the utility is invoked, the main menu is displayed. To add your system disk as a boot option, enter 1 at the prompt, as shown in the following example:

```
OpenVMS I64 Boot Manager Boot Options List Management Utility
```

- (1) ADD an entry to the Boot Options list
- (2) DISPLAY the Boot Options list
- (3) REMOVE an entry from the Boot Options list
- (4) MOVE the position of an entry in the Boot Options list
- (5) VALIDATE boot options and fix them as necessary
- (6) Modify Boot Options TIMEOUT setting
- (B) Set to operate on the Boot Device Options list
- (D) Set to operate on the Dump Device Options list
- (G) Set to operate on the Debug Device Options list
- (E) EXIT from the Boot Manager utility

```
You can also enter Ctrl-Y at any time to abort this utility
```

```
Enter your choice: 1
```

---

#### Note

---

While using this utility, you can change a response made to an earlier

## Configuring Fibre Channel as an OpenVMS Cluster Storage Interconnect

### 7.7 Booting on a Fibre Channel Storage Device on OpenVMS I64 Systems

prompt by typing the “^” character as many times as needed. To abort and return to the DCL prompt, enter Ctrl/Y.

---

4. The utility prompts you for the device name. Enter the system disk device you are using for this installation, as in the following example where the device is a multipath Fibre Channel device \$1\$DGA1: (press Return):  
Enter the device name (enter "?" for a list of devices): **\$1\$DGA1:**
5. The utility prompts you for the position you want your entry to take in the EFI boot option list. Enter 1 as in the following example:  
Enter the desired position number (1,2,3,,,) of the entry.  
To display the Boot Options list, enter "?" and press Return.  
Position [1]: **1**
6. The utility prompts you for OpenVMS boot flags. By default, no flags are set. Enter the OpenVMS flags (for example, 0,1) followed by a Return, or press Return to set no flags as in the following example:  
Enter the value for VMS\_FLAGS in the form n,n.  
VMS\_FLAGS [NONE]:
7. The utility prompts you for a description to include with your boot option entry. By default, the device name is used as the description. You can enter more descriptive information as in the following example.  
Enter a short description (do not include quotation marks).  
Description ["\$1\$DGA1"]: **\$1\$DGA1 OpenVMS V8.2 System**  
efi\$bcfg: \$1\$dga1 (Boot0001) Option successfully added  
efi\$bcfg: \$1\$dga1 (Boot0002) Option successfully added  
efi\$bcfg: \$1\$dga1 (Boot0003) Option successfully added
8. When you have successfully added your boot option, exit from the utility by entering E at the prompt.  
Enter your choice: **E**
9. Log out from the DCL prompt and shut down the I64 System.

For more information on this utility, refer to the *HP OpenVMS System Manager's Manual, Volume 1: Essentials*.

## 7.8 Setting Up a Storage Controller for Use with OpenVMS

The HP storage array controllers and the manuals that provide specific information for configuring them for use with OpenVMS follow:

- HSG60/80  
*HSG80 ACS Solution Software Version 8.6 for Compaq OpenVMS Installation and Configuration Guide*, order number AA-RH4BD-TE.

This manual is available at the following location:

<ftp://ftp.compaq.com/pub/products/storageworks/techdoc/raidstorage/AA-RH4BD-TE.pdf>

- Enterprise Virtual Array  
*OpenVMS Kit V2.0 for Enterprise Virtual Array Installation and Configuration Guide*, order number AA-RR03B-TE.

## Configuring Fibre Channel as an OpenVMS Cluster Storage Interconnect

### 7.8 Setting Up a Storage Controller for Use with OpenVMS

This manual is available at the following location:

<ftp://ftp.compaq.com/pub/products/storageworks/techdoc/enterprise/AA-RR03B-TE.pdf>

- HP StorageWorks Modular Smart Array 1000  
The documentation for the MSA1000 is available at the following location:  
<ftp://ftp.compaq.com/pub/products/storageworks/techdoc/msa1000/>
- HP StorageWorks XP Disk Array  
Product information about HP StorageWorks XP Arrays is available at the following location:  
<http://h18006.www1.hp.com/storage/xparrays.html>

#### 7.8.1 Setting Up the Device Identifier for the CCL

Defining a unique device identifier for the Command Console LUN (CCL) of the HSG and HSV is not required by OpenVMS, but it may be required by some management tools. OpenVMS suggests that you always define a unique device identifier since this identifier causes the creation of a CCL device visible using the SHOW DEVICE command. Although this device is not directly controllable on OpenVMS, you can display the multiple paths to the storage controller using the SHOW DEVICE/FULL command, and diagnose failed paths, as shown in the following example for \$1\$GGA3, where one of the two paths has failed.

```
Paver> sh dev gg /mul
Device                               Device          Error          Current
Name                               Status          Count Paths      path
$1$GGA1:                             Online           0  2/ 2  PGA0.5000-1FE1-0011-AF08
$1$GGA3:                             Online           0  1/ 2  PGA0.5000-1FE1-0011-B158
$1$GGA4:                             Online           0  2/ 2  PGA0.5000-1FE1-0015-2C58
$1$GGA5:                             Online           0  2/ 2  PGA0.5000-1FE1-0015-22A8
$1$GGA6:                             Online           0  2/ 2  PGA0.5000-1FE1-0015-2D18
$1$GGA7:                             Online           0  2/ 2  PGA0.5000-1FE1-0015-2D08
$1$GGA9:                             Online           0  2/ 2  PGA0.5000-1FE1-0007-04E3

Paver> show dev /full $1$gga9:

Device $1$GGA9:, device type Generic SCSI device, is online, shareable, device
has multiple I/O paths.

Error count                0  Operations completed                0
Owner process              ""  Owner UIC                          [SYSTEM]
Owner process ID           00000000  Dev Prot    S:RWPL,O:RWPL,G:RWPL,W:RWPL
Reference count            0  Default buffer size                0
WWID  02000008:5000-1FE1-0007-04E0

I/O paths to device        2
Path PGA0.5000-1FE1-0007-04E3 (PAVER), primary path, current path.
Error count                0  Operations completed                0
Path PGA0.5000-1FE1-0007-04E1 (PAVER).
Error count                0  Operations completed                0
```

#### 7.8.2 Setting Up the Device Identifier for Disk Devices

The device identifier for disks is appended to the string \$1\$DGA to form the complete device name. It is essential that all disks have unique device identifiers within a cluster. Device identifiers can be between 0 and 32767, except a device identifier of 0 is not valid on the HSV. Device identifiers greater than 9999 cannot be MSCP served to other systems.



## Configuring Fibre Channel as an OpenVMS Cluster Storage Interconnect

### 7.9 Creating a Cluster with a Shared FC System Disk

## 7.9 Creating a Cluster with a Shared FC System Disk

To configure nodes in an OpenVMS Cluster system, you must execute the CLUSTER\_CONFIG.COM (or CLUSTER\_CONFIG\_LAN.COM) command procedure. (You can run either the full version, which provides more information about most prompts, or the brief version.)

For the purposes of CLUSTER\_CONFIG, a shared Fibre Channel (FC) bus is treated like a shared SCSI bus, except that the allocation class parameters do not apply to FC. The rules for setting node allocation class and port allocation class values remain in effect when parallel SCSI storage devices are present in a configuration that includes FC storage devices.

To configure a new OpenVMS Cluster system, you must first enable clustering on a single, or standalone, system. Then you can add additional nodes to the cluster.

Example 7-5 shows how to enable clustering using brief version of CLUSTER\_CONFIG\_LAN.COM on a standalone node called FCNOD1. At the end of the procedure, FCNOD1 reboots and forms a one-node cluster.

Example 7-6 shows how to run the brief version of CLUSTER\_CONFIG\_LAN.COM on FCNOD1 to add a second node, called FCNOD2, to form a two-node cluster. At the end of the procedure, the cluster is configured to allow FCNOD2 to boot off the same FC system disk as FCNOD1.

The following steps are common to both examples:

1. Select the default option [1] for ADD.
2. Answer Yes when CLUSTER\_CONFIG\_LAN.COM asks whether there will be a shared SCSI bus. SCSI in this context refers to FC as well as to parallel SCSI.

The allocation class parameters are not affected by the presence of FC.

3. Answer No when the procedure asks whether the node will be a satellite.

#### Example 7-5 Enabling Clustering on a Standalone FC Node

```
$ @CLUSTER_CONFIG_LAN BRIEF
      Cluster Configuration Procedure
      Executing on an Alpha System

      DECnet Phase IV is installed on this node.

      The LAN, not DECnet, will be used for MOP downline loading.
      This Alpha node is not currently a cluster member

MAIN MENU
  1. ADD FCNOD1 to existing cluster, or form a new cluster.
  2. MAKE a directory structure for a new root on a system disk.
  3. DELETE a root from a system disk.
  4. EXIT from this procedure.

Enter choice [1]: 1
Is the node to be a clustered node with a shared SCSI or Fibre Channel bus (Y/N)? Y
```

(continued on next page)

# Configuring Fibre Channel as an OpenVMS Cluster Storage Interconnect

## 7.9 Creating a Cluster with a Shared FC System Disk

### Example 7-5 (Cont.) Enabling Clustering on a Standalone FC Node

Note:

Every cluster node must have a direct connection to every other node in the cluster. Since FCNOD1 will be a clustered node with a shared SCSI or FC bus, and Memory Channel, CI, and DSSI are not present, the LAN will be used for cluster communication.

Enter this cluster's group number: 511

Enter this cluster's password:

Re-enter this cluster's password for verification:

Will FCNOD1 be a boot server [Y]? Y

Verifying LAN adapters in LANACP database...

Updating LANACP LAN server process volatile and permanent databases...

Note: The LANACP LAN server process will be used by FCNOD1 for boot serving satellites. The following LAN devices have been found:

Verifying LAN adapters in LANACP database...

LAN TYPE	ADAPTER NAME	SERVICE STATUS
===== Ethernet	===== EWA0	===== ENABLED

CAUTION: If you do not define port allocation classes later in this procedure for shared SCSI buses, all nodes sharing a SCSI bus must have the same non-zero ALLOCLASS value. If multiple nodes connect to a shared SCSI bus without the same allocation class for the bus, system booting will halt due to the error or IO AUTOCONFIGURE after boot will keep the bus offline.

Enter a value for FCNOD1's ALLOCLASS parameter [0]: 5

Does this cluster contain a quorum disk [N]? N

Each shared SCSI bus must have a positive allocation class value. A shared bus uses a PK adapter. A private bus may use: PK, DR, DV.

When adding a node with SCSI-based cluster communications, the shared SCSI port allocation classes may be established in SYS\$DEVICES.DAT. Otherwise, the system's disk allocation class will apply.

A private SCSI bus need not have an entry in SYS\$DEVICES.DAT. If it has an entry, its entry may assign any legitimate port allocation class value:

- n where n = a positive integer, 1 to 32767 inclusive
- 0 no port allocation class and disk allocation class does not apply
- 1 system's disk allocation class applies (system parameter ALLOCLASS)

When modifying port allocation classes, SYS\$DEVICES.DAT must be updated for all affected nodes, and then all affected nodes must be rebooted. The following dialog will update SYS\$DEVICES.DAT on FCNOD1.

There are currently no entries in SYS\$DEVICES.DAT for FCNOD1. After the next boot, any SCSI controller on FCNOD1 will use FCNOD1's disk allocation class.

Assign port allocation class to which adapter [RETURN for none]: PKA

Port allocation class for PKA0: 10

Port Alloclass 10 Adapter FCNOD1\$PKA

Assign port allocation class to which adapter [RETURN for none]: PKB

Port allocation class for PKB0: 20

Port Alloclass 10 Adapter FCNOD1\$PKA

Port Alloclass 20 Adapter FCNOD1\$PKB

(continued on next page)



## Configuring Fibre Channel as an OpenVMS Cluster Storage Interconnect

### 7.9 Creating a Cluster with a Shared FC System Disk

#### Example 7-5 (Cont.) Enabling Clustering on a Standalone FC Node

WARNING: FCNOD1 will be a voting cluster member. EXPECTED\_VOTES for this and every other cluster member should be adjusted at a convenient time before a reboot. For complete instructions, check the section on configuring a cluster in the "OpenVMS Cluster Systems" manual.

Execute AUTOGEN to compute the SYSGEN parameters for your configuration and reboot FCNOD1 with the new parameters. This is necessary before FCNOD1 can become a cluster member.

Do you want to run AUTOGEN now [Y]? Y

Running AUTOGEN -- Please wait.

The system is shutting down to allow the system to boot with the generated site-specific parameters and installed images.

The system will automatically reboot after the shutdown and the upgrade will be complete.

#### Example 7-6 Adding a Node to a Cluster with a Shared FC System Disk

\$ @CLUSTER\_CONFIG\_LAN BRIEF

Cluster Configuration Procedure  
Executing on an Alpha System

DECnet Phase IV is installed on this node.

The LAN, not DECnet, will be used for MOP downline loading.  
FCNOD1 is an Alpha system and currently a member of a cluster so the following functions can be performed:

MAIN MENU

1. ADD an Alpha node to the cluster.
2. REMOVE a node from the cluster.
3. CHANGE a cluster member's characteristics.
4. CREATE a duplicate system disk for FCNOD1.
5. MAKE a directory structure for a new root on a system disk.
6. DELETE a root from a system disk.
7. EXIT from this procedure.

Enter choice [1]: 1

This ADD function will add a new Alpha node to the cluster.

WARNING: If the node being added is a voting member, EXPECTED\_VOTES for every cluster member must be adjusted. For complete instructions check the section on configuring a cluster in the "OpenVMS Cluster Systems" manual.

CAUTION: If this cluster is running with multiple system disks and common system files will be used, please, do not proceed unless appropriate logical names are defined for cluster common files in SYLOGICALS.COM. For instructions, refer to the "OpenVMS Cluster Systems" manual.

(continued on next page)

## Configuring Fibre Channel as an OpenVMS Cluster Storage Interconnect

### 7.9 Creating a Cluster with a Shared FC System Disk

#### Example 7-6 (Cont.) Adding a Node to a Cluster with a Shared FC System Disk

```
Is the node to be a clustered node with a shared SCSI or Fibre Channel bus (Y/N)? Y
Will the node be a satellite [Y]? N
What is the node's SCS node name? FCNOD2
What is the node's SCSSYSTEMID number? 19.111
NOTE: 19.111 equates to an SCSSYSTEMID of 19567
Will FCNOD2 be a boot server [Y]? Y
What is the device name for FCNOD2's system root
[default DISK$V72_SSB:]? Y
What is the name of FCNOD2's system root [SYS10]?
Creating directory tree SYS10 ...
System root SYS10 created
```

CAUTION: If you do not define port allocation classes later in this procedure for shared SCSI buses, all nodes sharing a SCSI bus must have the same non-zero ALLOCLASS value. If multiple nodes connect to a shared SCSI bus without the same allocation class for the bus, system booting will halt due to the error or IO AUTOCONFIGURE after boot will keep the bus offline.

```
Enter a value for FCNOD2's ALLOCLASS parameter [5]:
```

```
Does this cluster contain a quorum disk [N]? N
```

```
Size of pagefile for FCNOD2 [RETURN for AUTOGEN sizing]?
```

A temporary pagefile will be created until resizing by AUTOGEN. The default size below is arbitrary and may or may not be appropriate.

```
Size of temporary pagefile [10000]?
```

```
Size of swap file for FCNOD2 [RETURN for AUTOGEN sizing]?
```

A temporary swap file will be created until resizing by AUTOGEN. The default size below is arbitrary and may or may not be appropriate.

```
Size of temporary swap file [8000]?
```

Each shared SCSI bus must have a positive allocation class value. A shared bus uses a PK adapter. A private bus may use: PK, DR, DV.

When adding a node with SCSI-based cluster communications, the shared SCSI port allocation classes may be established in SYS\$DEVICES.DAT. Otherwise, the system's disk allocation class will apply.

A private SCSI bus need not have an entry in SYS\$DEVICES.DAT. If it has an entry, its entry may assign any legitimate port allocation class value:

```
  n   where n = a positive integer, 1 to 32767 inclusive
  0   no port allocation class and disk allocation class does not apply
 -1   system's disk allocation class applies (system parameter ALLOCLASS)
```

When modifying port allocation classes, SYS\$DEVICES.DAT must be updated for all affected nodes, and then all affected nodes must be rebooted. The following dialog will update SYS\$DEVICES.DAT on FCNOD2.

```
Enter [RETURN] to continue:
```

```
$20$DKA400:<VMS$COMMON.SYSEXE>SYS$DEVICES.DAT;1 contains port
allocation classes for FCNOD2. After the next boot, any SCSI
controller not assigned in SYS$DEVICES.DAT will use FCNOD2's
disk allocation class.
```

```
Assign port allocation class to which adapter [RETURN for none]: PKA
```

```
Port allocation class for PKA0: 11
```

```
Port Alloclass  11  Adapter FCNOD2$PKA
```

(continued on next page)

## Configuring Fibre Channel as an OpenVMS Cluster Storage Interconnect

### 7.9 Creating a Cluster with a Shared FC System Disk

#### Example 7–6 (Cont.) Adding a Node to a Cluster with a Shared FC System Disk

```
Assign port allocation class to which adapter [RETURN for none]: PKB
Port allocation class for PKB0: 20

      Port Alloclass   11   Adapter FCNOD2$PKA
      Port Alloclass   20   Adapter FCNOD2$PKB

Assign port allocation class to which adapter [RETURN for none]:

      WARNING: FCNOD2 must be rebooted to make port allocation class
               specifications in SYS$DEVICES.DAT take effect.
Will a disk local only to FCNOD2 (and not accessible at this time to FCNOD1)
be used for paging and swapping (Y/N)? N

      If you specify a device other than DISK$V72_SSB: for FCNOD2's
      page and swap files, this procedure will create PAGEFILE_FCNOD2.SYS
      and SWAPFILE_FCNOD2.SYS in the [SYSEXE] directory on the device you
      specify.

What is the device name for the page and swap files [DISK$V72_SSB:]?
%SYSGEN-I-CREATED, $20$DKA400:[SYS10.SYSEXE]PAGEFILE.SYS;1 created
%SYSGEN-I-CREATED, $20$DKA400:[SYS10.SYSEXE]SWAPFILE.SYS;1 created
      The configuration procedure has completed successfully.

      FCNOD2 has been configured to join the cluster.

      The first time FCNOD2 boots, NETCONFIG.COM and
      AUTOGEN.COM will run automatically.
```

#### 7.9.1 Configuring Additional Cluster Nodes to Boot with a Shared FC Disk (I64 Only)

For configuring additional nodes to boot with a shared FC Disk on an OpenVMS Cluster system, HP requires that you execute the OpenVMS I64 Boot Manager (BOOT\_OPTIONS.COM).

After you have enabled clustering on a single or standalone system, you can add additional I64 nodes to boot on a shared FC Disk, as follows:

1. Boot the HP OpenVMS Version 8.2 Installation Disk on the target node.
2. From the OpenVMS Installation Menu, choose Option 7 “Execute DCL commands and procedures.”
3. Follow the instructions in Section 7.7.3. Make sure that you set the correct system root when asked to enter the OpenVMS boot flags.

---

#### Note

---

The OpenVMS I64 Boot Manager (BOOT\_OPTIONS.COM) utility requires the shared FC disk to be mounted. If the shared FC disk is not mounted cluster-wide, the utility will try to mount the disk with a /NOWRITE option. If the shared FC disk is already mounted cluster-wide, user intervention is required. For more information on this utility, refer to the *HP OpenVMS System Manager's Manual, Volume 1: Essentials*.

---

## Configuring Fibre Channel as an OpenVMS Cluster Storage Interconnect

### 7.9 Creating a Cluster with a Shared FC System Disk

#### 7.9.2 Online Reconfiguration

The FC interconnect can be reconfigured while the hosts are running OpenVMS. This includes the ability to:

- Add, move, or remove FC switches and HSGs.
- Add, move, or remove HSG virtual disk units.
- Change the device identifier or LUN value of the HSG virtual disk units.
- Disconnect and reconnect FC cables. Reconnection can be to the same or different adapters, switch ports, or HSG ports.

OpenVMS does not automatically detect most FC reconfigurations. You must use the following procedure to safely perform an FC reconfiguration, and to ensure that OpenVMS has adjusted its internal data structures to match the new state:

1. Dismount all disks that are involved in the reconfiguration.
2. Perform the reconfiguration.
3. Enter the following commands on each host that is connected to the Fibre Channel:

```
SYSMAN> IO SCSI_PATH_VERIFY
SYSMAN> IO AUTOCONFIGURE
```

The purpose of the SCSI\_PATH\_VERIFY command is to check each FC path in the system's IO database to determine whether the attached device has been changed. If a device change is detected, then the FC path is disconnected in the IO database. This allows the path to be reconfigured for a new device by using the IO AUTOCONFIGURE command.

---

#### Note

---

In the current release, the SCSI\_PATH\_VERIFY command only operates on FC disk devices. It does not operate on generic FC devices, such as the HSG command console LUN (CCL). (Generic FC devices have names such as \$1\$GGAnnnn. This means that once the CCL of an HSG has been configured by OpenVMS with a particular device identifier, its device identifier should not be changed.)

---

#### 7.9.3 HSG Host Connection Table and Devices Not Configured

When a Fibre Channel host bus adapter is connected (through a Fibre Channel switch) to an HSG controller, the HSG controller creates an entry in the HSG connection table. There is a separate connection for each host bus adapter, and for each HSG port to which the adapter is connected. (Refer to the HSG CLI command SHOW CONNECTIONS for more information.)

Once an HSG connection exists, you can modify its parameters by using commands that are described in the *HSG Array Controller ACS Configuration and CLI Reference Guide*. Since a connection can be modified, the HSG does not delete connection information from the table when a host bus adapter is disconnected. Instead, when the user is done with a connection, the user must explicitly delete the connection using a CLI command.

## Configuring Fibre Channel as an OpenVMS Cluster Storage Interconnect

### 7.9 Creating a Cluster with a Shared FC System Disk

The HSG controller supports a limited number of connections: ACS V8.5 allows a maximum of 64 connections and ACS V8.4 allows a maximum of 32 connections. The connection limit is the same for both single- and dual-redundant controllers. Once the maximum number of connections is reached, then new connections will not be made. When this happens, OpenVMS will not configure disk devices, or certain paths to disk devices, on the HSG.

The solution to this problem is to delete old connections that are no longer needed. However, if your Fibre Channel fabric is large and the number of active connections exceeds the HSG limit, then you must reconfigure the fabric or use FC switch zoning to “hide” some adapters from some HSG ports to reduce the number of connections.

## 7.10 Using Interrupt Coalescing for I/O Performance Gains (Alpha Only)

Starting with OpenVMS Alpha Version 7.3-1, interrupt coalescing is supported for the KGPSA host adapters and is off by default. Interrupt coalescing can improve performance in environments with high I/O work loads by enabling the adapter to reduce the number of interrupts seen by a host. This feature is implemented in the KGPSA firmware.

You can read and modify the current settings for interrupt coalescing by means of the Fibre Channel Control Program (FC\$CP). You must have the CMKRNL privilege to use FC\$CP.

If you specify a response count and a delay time (in milliseconds) with FC\$CP, the adapter defers interrupting the host until that number of responses is available or until that amount of time has passed, whichever occurs first.

Interrupt coalescing may cause a performance degradation to an application that does synchronous I/O. If no other I/O is going through a given KGPSA, the latency for single writes is an average of 900 microseconds longer with interrupt coalescing enabled (or higher depending on the selected response interval).

Interrupt coalescing is set on a per KGPSA basis. You should have an average of at least 2000 I/Os per second through a given KGPSA before enabling interrupt coalescing.

The format of the command is:

```
RUN SYS$ETC:FC$CP FGx enable-value [delay][response-count]
```

In this format:

- For FGx, the valid range of x is A to Z.
- *enable-value* is a bit mask, with bit 1 controlling response coalescing and bit 0 controlling interrupt coalescing. The possible decimal values are:
  - 1=interrupt coalescing
  - 2=response coalescing
  - 3=interrupt coalescing and response coalescing
- *delay* (in milliseconds) can range from 0 to 255 decimal.
- *response-count* can range from 0 to 63 decimal.
- Any negative value leaves a parameter unchanged.
- Values returned are those that are current after any changes.

## Configuring Fibre Channel as an OpenVMS Cluster Storage Interconnect

### 7.10 Using Interrupt Coalescing for I/O Performance Gains (Alpha Only)

OpenVMS recommends the following settings for the FC\$CP command:

```
$ RUN SYS$SETC:FC$CP FGx 2 1 8
```

### 7.11 Using Fast Path in Your Configuration

Fast Path support was introduced for Fibre Channel in OpenVMS Alpha Version 7.3 and is enabled by default. It is designed for use in a symmetric multiprocessor system (SMP). When Fast Path is enabled, the I/O completion processing can occur on all the processors in the SMP system instead of only on the primary CPU. Fast Path substantially increases the potential I/O throughput on an SMP system, and helps to prevent the primary CPU from becoming saturated.

You can manage Fast Path programmatically using Fast Path system services. You can also manage Fast Path with DCL commands and by using the system parameters FAST\_PATH and FAST\_PATH\_PORTS. For more information about using Fast Path, refer to the *HP OpenVMS I/O User's Reference Manual*.

### 7.12 FIBRE\_SCAN Utility for Displaying Device Information

FIBRE\_SCAN.EXE displays information about all storage devices attached to Fibre Channel on the system; both configured and nonconfigured devices are included. The displayed information includes such data as the Fibre Channel target and LUN values, the vendor and product ID, device type, port and device worldwide identifiers (WWIDs), serial number, firmware revision level, and port login state. While the program primarily describes disk and tape devices, some limited information is also displayed for controller and other generic (\$n\$GGAn) devices.

---

#### Note

---

FIBRE\_SCAN can be used locally on each system. It cannot be used on systems running versions prior to OpenVMS Version 7.3-2, nor can it be used to display devices attached to other systems in a cluster.

---

FIBRE\_SCAN can be invoked in two modes:

```
$ MCR SYS$SETC:FIBRE_SCAN      ! Scans all ports on the Fibre Channel.
$ MCR SYS$SETC:FIBRE_SCAN PGx ! Scans only port x on the Fibre Channel.
```

FIBRE\_SCAN requires CMKRNL and LOG\_IO privilege.

To capture the FIBRE\_SCAN output in a file, use a command such as the following before invoking FIBRE\_SCAN:

```
$ DEFINE/USER SYS$OUTPUT xxx.log
```

FIBRE\_SCAN is a display-only utility and is not capable of loading device drivers nor otherwise configuring devices on the Fibre Channel. To configure devices, use the SYSMAN IO AUTOCONFIGURE command.

# Configuring OpenVMS Clusters for Availability

Availability is the percentage of time that a computing system provides application service. By taking advantage of OpenVMS Cluster features, you can configure your OpenVMS Cluster system for various levels of availability, including disaster tolerance.

This chapter provides strategies and sample optimal configurations for building a highly available OpenVMS Cluster system. You can use these strategies and examples to help you make choices and tradeoffs that enable you to meet your availability requirements.

## 8.1 Availability Requirements

You can configure OpenVMS Cluster systems for different levels of availability, depending on your requirements. Most organizations fall into one of the broad (and sometimes overlapping) categories shown in Table 8–1.

**Table 8–1 Availability Requirements**

Availability Requirements	Description
Conventional	For business functions that can wait with little or no effect while a system or application is unavailable.
24 x 365	For business functions that require uninterrupted computing services, either during essential time periods or during most hours of the day throughout the year. Minimal down time is acceptable.
Disaster tolerant	For business functions with stringent availability requirements. These businesses need to be immune to disasters like earthquakes, floods, and power failures.

## 8.2 How OpenVMS Clusters Provide Availability

OpenVMS Cluster systems offer the following features that provide increased availability:

- A highly integrated environment that allows multiple systems to share access to resources
- Redundancy of major hardware components
- Software support for failover between hardware components
- Software products to support high availability



# Configuring OpenVMS Clusters for Availability

## 8.2 How OpenVMS Clusters Provide Availability

### 8.2.1 Shared Access to Storage

In an OpenVMS Cluster environment, users and applications on multiple systems can transparently share storage devices and files. When you shut down one system, users can continue to access shared files and devices. You can share storage devices in two ways:

- **Direct access**  
Connect disk and tape storage subsystems to CI and DSSI interconnects rather than to a node. This gives all nodes attached to the interconnect shared access to the storage system. The shutdown or failure of a system has no effect on the ability of other systems to access storage.
- **Served access**  
Storage devices attached to a node can be served to other nodes in the OpenVMS Cluster. MSCP and TMSCP server software enable you to make local devices available to all OpenVMS Cluster members. However, the shutdown or failure of the serving node affects the ability of other nodes to access storage.

### 8.2.2 Component Redundancy

OpenVMS Cluster systems allow for redundancy of many components, including:

- Systems
- Interconnects
- Adapters
- Storage devices and data

With redundant components, if one component fails, another is available to users and applications.

### 8.2.3 Failover Mechanisms

OpenVMS Cluster systems provide failover mechanisms that enable recovery from a failure in part of the OpenVMS Cluster. Table 8–2 lists these mechanisms and the levels of recovery that they provide.

**Table 8–2 Failover Mechanisms**

Mechanism	What Happens if a Failure Occurs	Type of Recovery
DECnet-Plus cluster alias	If a node fails, OpenVMS Cluster software automatically distributes new incoming connections among other participating nodes.	Manual. Users who were logged in to the failed node can reconnect to a remaining node.  Automatic for appropriately coded applications. Such applications can reinstate a connection to the cluster alias node name, and the connection is directed to one of the remaining nodes.
I/O paths	With redundant paths to storage devices, if one path fails, OpenVMS Cluster software fails over to a working path, if one exists.	Transparent, provided another working path is available.

(continued on next page)



## Configuring OpenVMS Clusters for Availability

### 8.2 How OpenVMS Clusters Provide Availability

**Table 8–2 (Cont.) Failover Mechanisms**

Mechanism	What Happens if a Failure Occurs	Type of Recovery
Interconnect	With redundant or mixed interconnects, OpenVMS Cluster software uses the fastest working path to connect to other OpenVMS Cluster members. If an interconnect path fails, OpenVMS Cluster software fails over to a working path, if one exists.	Transparent.
Boot and disk servers	If you configure at least two nodes as boot and disk servers, satellites can continue to boot and use disks if one of the servers shuts down or fails.  Failure of a boot server does not affect nodes that have already booted, providing they have an alternate path to access MSCP served disks.	Automatic.
Terminal servers and LAT software	Attach terminals and printers to terminal servers. If a node fails, the LAT software automatically connects to one of the remaining nodes. In addition, if a user process is disconnected from a LAT terminal session, when the user attempts to reconnect to a LAT session, LAT software can automatically reconnect the user to the disconnected session.	Manual. Terminal users who were logged in to the failed node must log in to a remaining node and restart the application.
Generic batch and print queues	You can set up generic queues to feed jobs to execution queues (where processing occurs) on more than one node. If one node fails, the generic queue can continue to submit jobs to execution queues on remaining nodes. In addition, batch jobs submitted using the /RESTART qualifier are automatically restarted on one of the remaining nodes.	Transparent for jobs waiting to be dispatched.  Automatic or manual for jobs executing on the failed node.
Autostart batch and print queues	For maximum availability, you can set up execution queues as autostart queues with a failover list. When a node fails, an autostart execution queue and its jobs automatically fail over to the next logical node in the failover list and continue processing on another node. Autostart queues are especially useful for print queues directed to printers that are attached to terminal servers.	Transparent.

**Reference:** For more information about cluster aliases, generic queues, and autostart queues, refer to the *HP OpenVMS Cluster Systems* manual.

#### 8.2.4 Related Software Products

Table 8–3 shows a variety of related OpenVMS Cluster software products that HP offers to increase availability.

**Table 8–3 Products That Increase Availability**

Product	Description
Availability Manager	Collects and analyzes data from multiple nodes simultaneously and directs all output to a centralized DECwindows display. The analysis detects availability problems and suggests corrective actions.
RTR	Provides continuous and fault-tolerant transaction delivery services in a distributed environment with scalability and location transparency. In-flight transactions are guaranteed with the two-phase commit protocol, and databases can be distributed worldwide and partitioned for improved performance.

(continued on next page)

## Configuring OpenVMS Clusters for Availability

### 8.2 How OpenVMS Clusters Provide Availability

**Table 8–3 (Cont.) Products That Increase Availability**

Product	Description
Volume Shadowing for OpenVMS	Makes any disk in an OpenVMS Cluster system a redundant twin of any other same-size disk (same number of physical blocks) in the OpenVMS Cluster.

## 8.3 Strategies for Configuring Highly Available OpenVMS Clusters

The hardware you choose and the way you configure it has a significant impact on the availability of your OpenVMS Cluster system. This section presents strategies for designing an OpenVMS Cluster configuration that promotes availability.

### 8.3.1 Availability Strategies

Table 8–4 lists strategies for configuring a highly available OpenVMS Cluster. These strategies are listed in order of importance, and many of them are illustrated in the sample optimal configurations shown in this chapter.

**Table 8–4 Availability Strategies**

Strategy	Description
Eliminate single points of failure	Make components redundant so that if one component fails, the other is available to take over.
Shadow system disks	The system disk is vital for node operation. Use Volume Shadowing for OpenVMS to make system disks redundant.
Shadow essential data disks	Use Volume Shadowing for OpenVMS to improve data availability by making data disks redundant.
Provide shared, direct access to storage	Where possible, give all nodes shared direct access to storage. This reduces dependency on MSCP server nodes for access to storage.
Minimize environmental risks	Take the following steps to minimize the risk of environmental problems: <ul style="list-style-type: none"> <li>• Provide a generator or uninterruptible power system (UPS) to replace utility power for use during temporary outages.</li> <li>• Configure extra air-conditioning equipment so that failure of a single unit does not prevent use of the system equipment.</li> </ul>
Configure at least three nodes	OpenVMS Cluster nodes require a quorum to continue operating. An optimal configuration uses a minimum of three nodes so that if one node becomes unavailable, the two remaining nodes maintain quorum and continue processing.  <b>Reference:</b> For detailed information on quorum strategies, see Section 11.5 and <i>HP OpenVMS Cluster Systems</i> .
Configure extra capacity	For each component, configure at least one unit more than is necessary to handle capacity. Try to keep component use at 80% of capacity or less. For crucial components, keep resource use sufficiently <i>less</i> than 80% capacity so that if one component fails, the work load can be spread across remaining components without overloading them.

(continued on next page)

## Configuring OpenVMS Clusters for Availability

### 8.3 Strategies for Configuring Highly Available OpenVMS Clusters

**Table 8–4 (Cont.) Availability Strategies**

Strategy	Description
Keep a spare component on standby	For each component, keep one or two spares available and ready to use if a component fails. Be sure to test spare components regularly to make sure they work. More than one or two spare components increases complexity as well as the chance that the spare will not operate correctly when needed.
Use homogeneous nodes	Configure nodes of similar size and performance to avoid capacity overloads in case of failover. If a large node fails, a smaller node may not be able to handle the transferred work load. The resulting bottleneck may decrease OpenVMS Cluster performance.
Use reliable hardware	Consider the probability of a hardware device failing. Check product descriptions for MTBF (mean time between failures). In general, newer technologies are more reliable.

## 8.4 Strategies for Maintaining Highly Available OpenVMS Clusters

Achieving high availability is an ongoing process. How you manage your OpenVMS Cluster system is just as important as how you configure it. This section presents strategies for maintaining availability in your OpenVMS Cluster configuration.

### 8.4.1 Strategies for Maintaining Availability

After you have set up your initial configuration, follow the strategies listed in Table 8–5 to maintain availability in OpenVMS Cluster system.

**Table 8–5 Strategies for Maintaining Availability**

Strategy	Description
Plan a failover strategy	OpenVMS Cluster systems provide software support for failover between hardware components. Be aware of what failover capabilities are available and which can be customized for your needs. Determine which components must recover from failure, and make sure that components are able to handle the additional work load that may result from a failover.  <b>Reference:</b> Table 8–2 lists OpenVMS Cluster failover mechanisms and the levels of recovery that they provide.
Code distributed applications	Code applications to run simultaneously on multiple nodes in an OpenVMS Cluster system. If a node fails, the remaining members of the OpenVMS Cluster system are still available and continue to access the disks, tapes, printers, and other peripheral devices that they need.
Minimize change	Assess carefully the need for any hardware or software change before implementing it on a running node. If you must make a change, test it in a noncritical environment before applying it to your production environment.
Reduce size and complexity	After you have achieved redundancy, reduce the number of components and the complexity of the configuration. A simple configuration minimizes the potential for user and operator errors as well as hardware and software errors.

(continued on next page)

## Configuring OpenVMS Clusters for Availability

### 8.4 Strategies for Maintaining Highly Available OpenVMS Clusters

**Table 8–5 (Cont.) Strategies for Maintaining Availability**

Strategy	Description
Set polling timers identically on all nodes	Certain system parameters control the polling timers used to maintain an OpenVMS Cluster system. Make sure these system parameter values are set identically on all OpenVMS Cluster member nodes.  <b>Reference:</b> For information about these system parameters, refer to <i>HP OpenVMS Cluster Systems</i> .
Manage proactively	The more experience your system managers have, the better. Allow privileges for only those users or operators who need them. Design strict policies for managing and securing the OpenVMS Cluster system.
Use AUTOGEN proactively	With regular AUTOGEN feedback, you can analyze resource usage that may affect system parameter settings.
Reduce dependencies on a single server or disk	Distributing data across several systems and disks prevents one system or disk from being a single point of failure.
Implement a backup strategy	Performing frequent backup procedures on a regular basis guarantees the ability to recover data after failures. None of the strategies listed in this table can take the place of a solid backup strategy.

## 8.5 Availability in a LAN OpenVMS Cluster

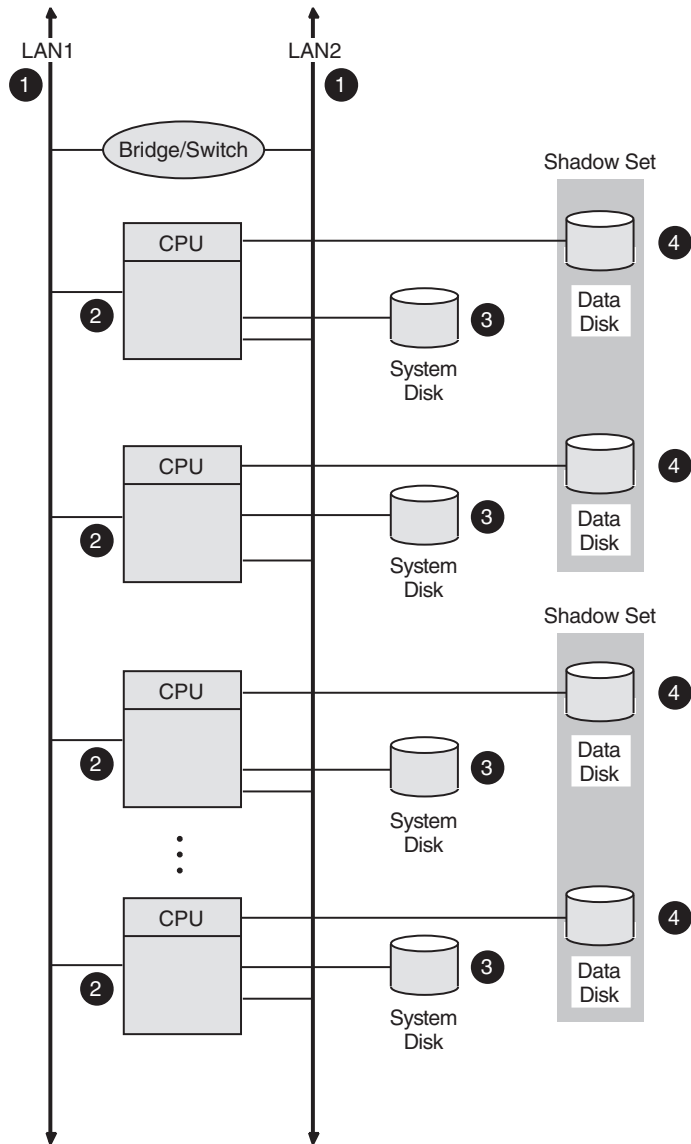
Figure 8–1 shows an optimal configuration for a small-capacity, highly available LAN OpenVMS Cluster system. Figure 8–1 is followed by an analysis of the configuration that includes:

- Analysis of its components
- Advantages and disadvantages
- Key availability strategies implemented

# Configuring OpenVMS Clusters for Availability

## 8.5 Availability in a LAN OpenVMS Cluster

Figure 8-1 LAN OpenVMS Cluster System



VM-0735A-AI

## Configuring OpenVMS Clusters for Availability

### 8.5 Availability in a LAN OpenVMS Cluster

#### 8.5.1 Components

The LAN OpenVMS Cluster configuration in Figure 8–1 has the following components:

Component	Description
1	<p>Two Ethernet interconnects. For higher network capacity, use FDDI interconnects instead of Ethernet.</p> <p><b>Rationale:</b> For redundancy, use at least two LAN interconnects and attach all nodes to all LAN interconnects.</p> <p>A single interconnect would introduce a single point of failure.</p>
2	<p>Three to eight Ethernet-capable OpenVMS nodes.</p> <p>Each node has its own system disk so that it is not dependent on another node.</p> <p><b>Rationale:</b> Use at least three nodes to maintain quorum. Use fewer than eight nodes to avoid the complexity of managing eight system disks.</p> <p><b>Alternative 1:</b> If you require satellite nodes, configure one or two nodes as boot servers. Note, however, that the availability of the satellite nodes is dependent on the availability of the server nodes.</p> <p><b>Alternative 2:</b> For more than eight nodes, use a LAN OpenVMS Cluster configuration as described in Section 8.10.</p>
3	<p>System disks.</p> <p>System disks generally are not shadowed in LAN OpenVMS Clusters because of boot-order dependencies.</p> <p><b>Alternative 1:</b> Shadow the system disk across two local controllers.</p> <p><b>Alternative 2:</b> Shadow the system disk across two nodes. The second node mounts the disk as a nonsystem disk.</p> <p><b>Reference:</b> See Section 11.2.4 for an explanation of boot-order and satellite dependencies.</p>
4	<p>Essential data disks.</p> <p>Use volume shadowing to create multiple copies of all essential data disks. Place shadow set members on at least two nodes to eliminate a single point of failure.</p>

#### 8.5.2 Advantages

This configuration offers the following advantages:

- Lowest cost of all the sample configurations shown in this chapter.
- Some potential for growth in size and performance.
- The LAN interconnect supports the widest choice of nodes.

#### 8.5.3 Disadvantages

This configuration has the following disadvantages:

- No shared direct access to storage. The nodes are dependent on an MSCP server for access to shared storage.
- Shadowing disks across the LAN nodes causes shadow copies when the nodes boot.
- Shadowing the system disks is not practical because of boot-order dependencies.

## Configuring OpenVMS Clusters for Availability

### 8.5 Availability in a LAN OpenVMS Cluster

#### 8.5.4 Key Availability Strategies

The configuration in Figure 8–1 incorporates the following strategies, which are critical to its success:

- This configuration has no single point of failure.
- Volume shadowing provides multiple copies of essential data disks across separate nodes.
- At least three nodes are used for quorum, so the OpenVMS Cluster continues if any one node fails.
- Each node has its own system disk; there are no satellite dependencies.

#### 8.6 Configuring Multiple LANs

Follow these guidelines to configure a highly available multiple LAN cluster:

- Bridge LAN segments together to form a single extended LAN.
- Provide redundant LAN segment bridges for failover support.
- Configure LAN bridges to pass the LAN and MOP multicast messages.
- Use the Local Area OpenVMS Cluster Network Failure Analysis Program to monitor and maintain network availability. (See *HP OpenVMS Cluster Systems* for more information.)
- Use the troubleshooting suggestions in *HP OpenVMS Cluster Systems* to diagnose performance problems with the SCS layer and the NISCA transport protocol.
- Keep LAN average utilization below 50%.

**Reference:** See Section 10.7.8 for information about extended LANs (ELANs).

##### 8.6.1 Selecting MOP Servers

When using multiple LAN adapters with multiple LAN segments, distribute the connections to LAN segments that provide MOP service. The distribution allows MOP servers to downline load satellites even when network component failures occur.

It is important to ensure sufficient MOP servers for both VAX and Alpha nodes to provide downline load support for booting satellites. By careful selection of the LAN connection for each MOP server (Alpha or VAX, as appropriate) on the network, you can maintain MOP service in the face of network failures.

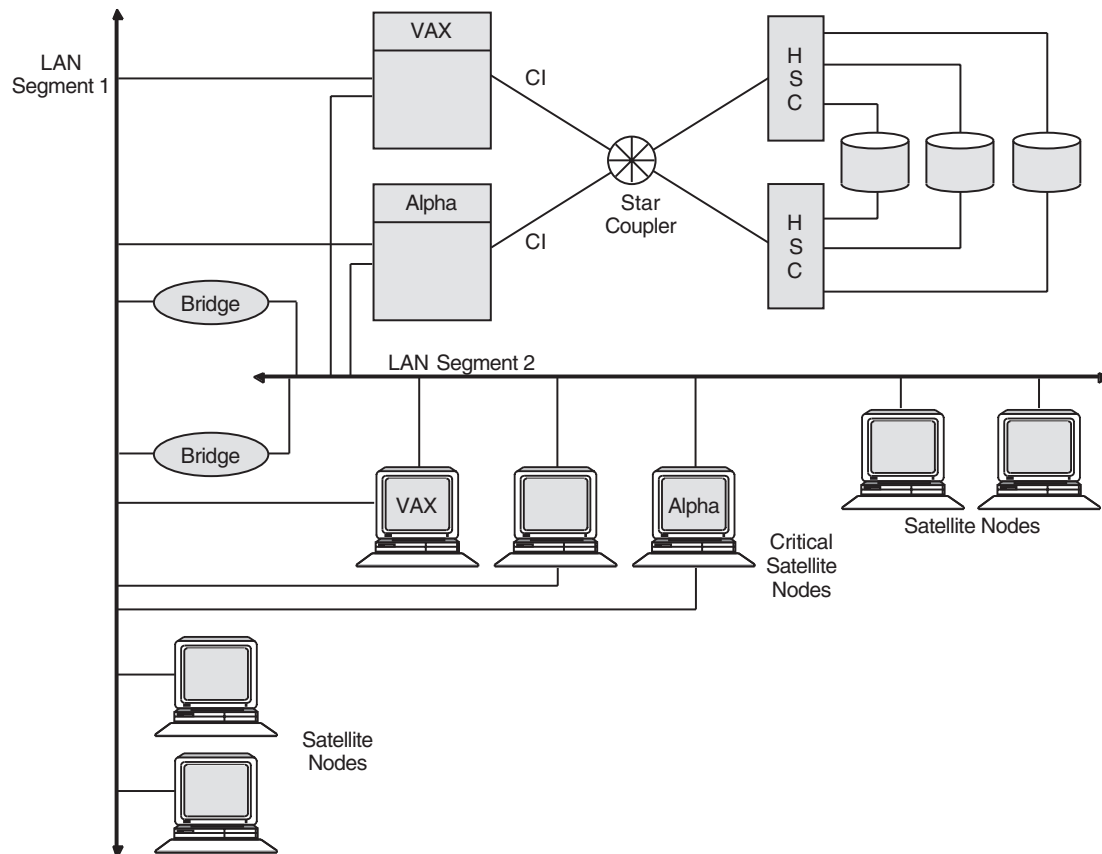
## Configuring OpenVMS Clusters for Availability

### 8.6 Configuring Multiple LANs

#### 8.6.2 Configuring Two LAN Segments

Figure 8–2 shows a sample configuration for an OpenVMS Cluster system connected to two different LAN segments. The configuration includes Alpha and VAX nodes, satellites, and two bridges.

Figure 8–2 Two-LAN Segment OpenVMS Cluster Configuration



ZK-3828A-GE

The figure illustrates the following points:

- Connecting critical nodes to multiple LAN segments provides increased availability in the event of segment or adapter failure. Disk and tape servers can use some of the network bandwidth provided by the additional network connection. Critical satellites can be booted using the other LAN adapter if one LAN adapter fails.
- Connecting noncritical satellites to only one LAN segment helps to balance the network load by distributing systems equally among the LAN segments. These systems communicate with satellites on the other LAN segment through one of the bridges.
- Only one LAN adapter per node can be used for DECnet and MOP service to prevent duplication of LAN addresses.
- LAN adapters providing MOP service (Alpha or VAX, as appropriate) should be distributed among the LAN segments to ensure that LAN failures do not prevent satellite booting.



## Configuring OpenVMS Clusters for Availability

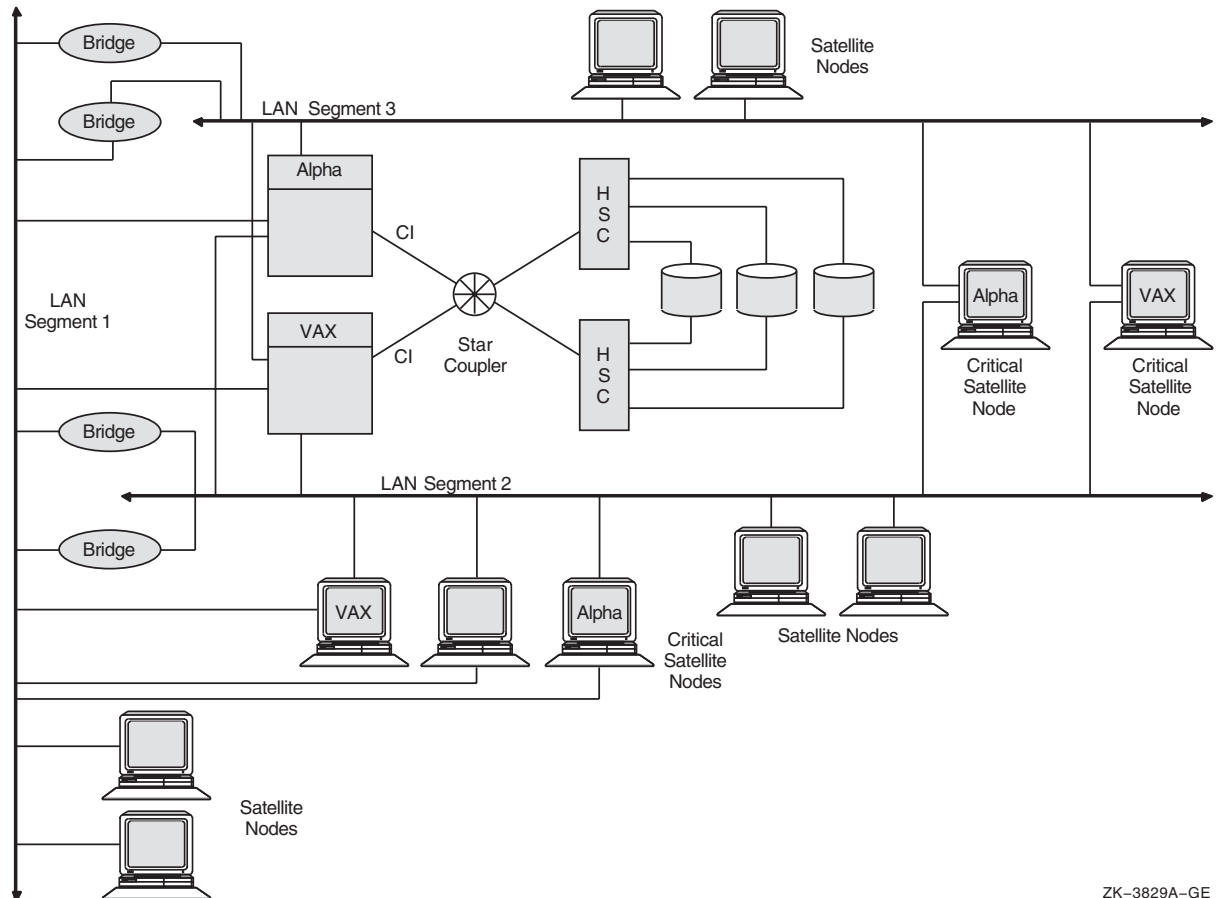
### 8.6 Configuring Multiple LANs

- Using redundant LAN bridges prevents the bridge from being a single point of failure.

#### 8.6.3 Configuring Three LAN Segments

Figure 8–3 shows a sample configuration for an OpenVMS Cluster system connected to three different LAN segments. The configuration also includes both Alpha and VAX nodes and satellites and multiple bridges.

Figure 8–3 Three-LAN Segment OpenVMS Cluster Configuration



ZK-3829A-GE

The figure illustrates the following points:

- Connecting disk and tape servers to two or three LAN segments can help provide higher availability and better I/O throughput.
- Connecting critical satellites to two or more LAN segments can also increase availability. If any of the network components fails, these satellites can use the other LAN adapters to boot and still have access to the critical disk servers.
- Distributing noncritical satellites equally among the LAN segments can help balance the network load.

## Configuring OpenVMS Clusters for Availability

### 8.6 Configuring Multiple LANs

- A MOP server (Alpha or VAX, as appropriate) is provided for each LAN segment.

**Reference:** See Section 11.2.4 for more information about boot order and satellite dependencies in a LAN. See *HP OpenVMS Cluster Systems* for information about LAN bridge failover.

### 8.7 Availability in a DSSI OpenVMS Cluster

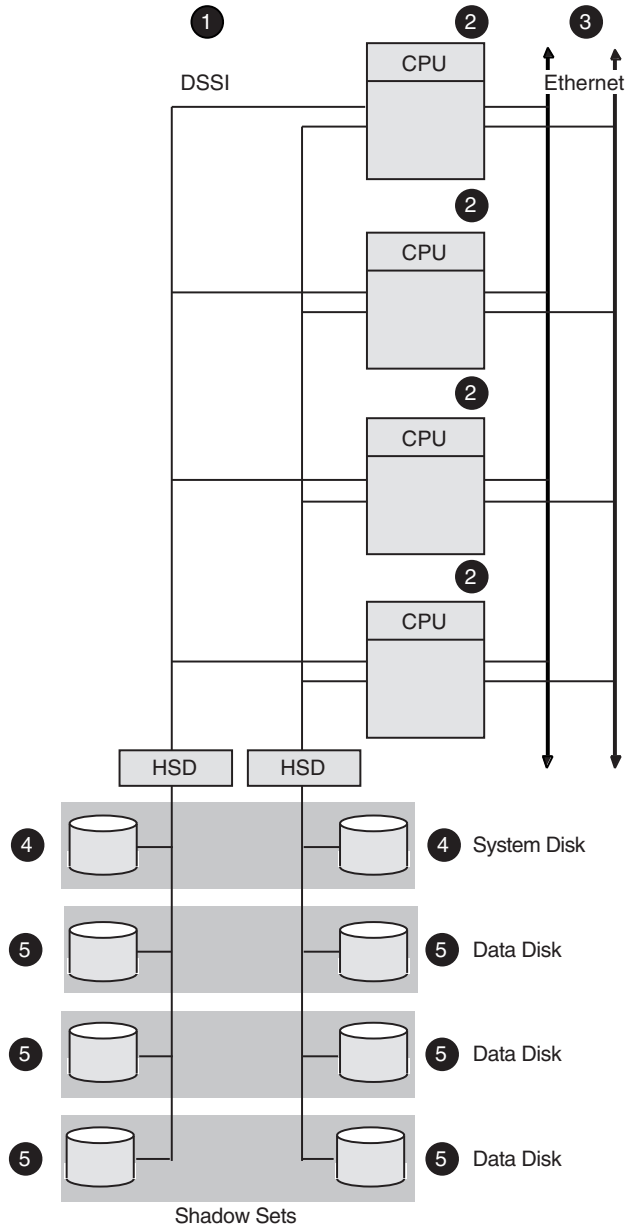
Figure 8–4 shows an optimal configuration for a medium-capacity, highly available DSSI OpenVMS Cluster system. Figure 8–4 is followed by an analysis of the configuration that includes:

- Analysis of its components
- Advantages and disadvantages
- Key availability strategies implemented

# Configuring OpenVMS Clusters for Availability

## 8.7 Availability in a DSSI OpenVMS Cluster

Figure 8-4 DSSI OpenVMS Cluster System



ZK-6639A-GE

# Configuring OpenVMS Clusters for Availability

## 8.7 Availability in a DSSI OpenVMS Cluster

### 8.7.1 Components

The DSSI OpenVMS Cluster configuration in Figure 8–4 has the following components:

Part	Description
1	Two DSSI interconnects with two DSSI adapters per node. <b>Rationale:</b> For redundancy, use at least two interconnects and attach all nodes to all DSSI interconnects.
2	Two to four DSSI-capable OpenVMS nodes. <b>Rationale:</b> Three nodes are recommended to maintain quorum. A DSSI interconnect can support a maximum of four OpenVMS nodes. <b>Alternative 1:</b> Two-node configurations require a quorum disk to maintain quorum if a node fails. <b>Alternative 2:</b> For more than four nodes, configure two DSSI sets of nodes connected by two LAN interconnects.
3	Two Ethernet interconnects. <b>Rationale:</b> The LAN interconnect is required for DECnet–Plus communication. Use two interconnects for redundancy. For higher network capacity, use FDDI instead of Ethernet.
4	System disk. Shadow the system disk across DSSI interconnects. <b>Rationale:</b> Shadow the system disk across interconnects so that the disk and the interconnect do not become single points of failure.
5	Data disks. Shadow essential data disks across DSSI interconnects. <b>Rationale:</b> Shadow the data disk across interconnects so that the disk and the interconnect do not become single points of failure.

### 8.7.2 Advantages

The configuration in Figure 8–4 offers the following advantages:

- The DSSI interconnect gives all nodes shared, direct access to all storage.
- Moderate potential for growth in size and performance.
- There is only one system disk to manage.

### 8.7.3 Disadvantages

This configuration has the following disadvantages:

- Applications must be shut down in order to swap DSSI cables. This is referred to as “warm swap.” The DSSI cable is warm swappable for the adapter, the cable, and the node.
- A node’s location on the DSSI affects the recoverability of the node. If the adapter fails on a node located at the end of the DSSI interconnect, the OpenVMS Cluster may become unavailable.

### **8.7.4 Key Availability Strategies**

The configuration in Figure 8–4 incorporates the following strategies, which are critical to its success:

- This configuration has no single point of failure.
- Volume shadowing provides multiple copies of system and essential data disks across separate DSSI interconnects.
- All nodes have shared, direct access to all storage.
- At least three nodes are used for quorum, so the OpenVMS Cluster continues if any one node fails.
- There are no satellite dependencies.

## **8.8 Availability in a CI OpenVMS Cluster**

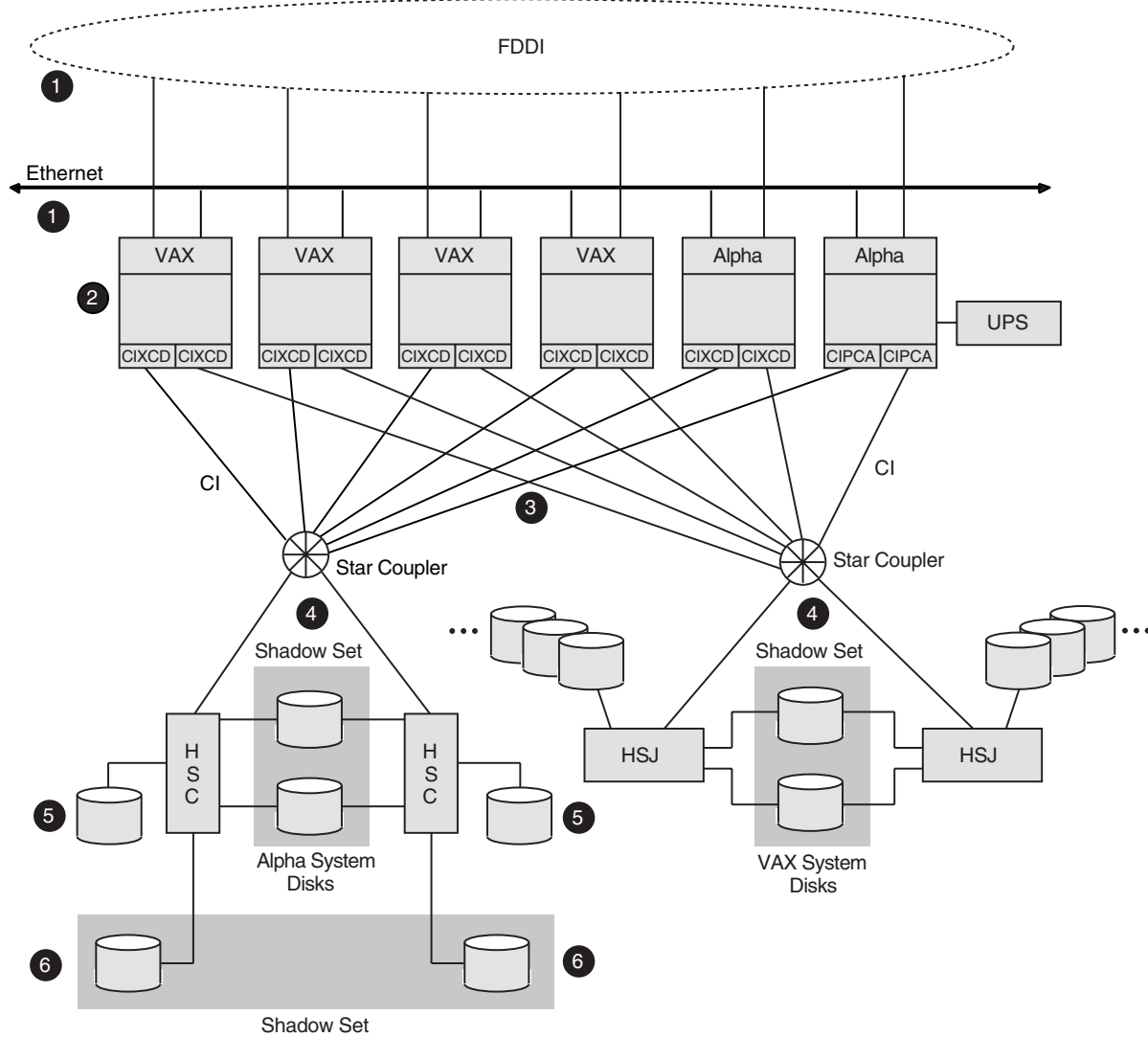
Figure 8–5 shows an optimal configuration for a large-capacity, highly available CI OpenVMS Cluster system. Figure 8–5 is followed by an analysis of the configuration that includes:

- Analysis of its components
- Advantages and disadvantages
- Key availability strategies implemented

# Configuring OpenVMS Clusters for Availability

## 8.8 Availability in a CI OpenVMS Cluster

Figure 8–5 CI OpenVMS Cluster System



ZK-6973A-GE

### 8.8.1 Components

The CI OpenVMS Cluster configuration in Figure 8–5 has the following components:

Part	Description
1	Two LAN interconnects. <b>Rationale:</b> The additional use of LAN interconnects is required for DECnet-Plus communication. Having two LAN interconnects—Ethernet or FDDI—increases redundancy. For higher network capacity, use FDDI instead of Ethernet.

## Configuring OpenVMS Clusters for Availability

### 8.8 Availability in a CI OpenVMS Cluster

Part	Description
2	<p>Two to 16 CI capable OpenVMS nodes.</p> <p><b>Rationale:</b> Three nodes are recommended to maintain quorum. A CI interconnect can support a maximum of 16 OpenVMS nodes.</p> <p><b>Reference:</b> For more extensive information about the CIPCA, see Appendix C.</p> <p><b>Alternative:</b> Two-node configurations require a quorum disk to maintain quorum if a node fails.</p>
3	<p>Two CI interconnects with two star couplers.</p> <p><b>Rationale:</b> Use two star couplers to allow for redundant connections to each node.</p>
4	<p>Critical disks are dual ported between CI storage controllers.</p> <p><b>Rationale:</b> Connect each disk to two controllers for redundancy. Shadow and dual port system disks between CI storage controllers. Periodically alternate the primary path of dual-ported disks to test hardware.</p>
5	<p>Data disks.</p> <p><b>Rationale:</b> Single port nonessential data disks, for which the redundancy provided by dual porting is unnecessary.</p>
6	<p>Essential data disks are shadowed across controllers.</p> <p><b>Rationale:</b> Shadow essential disks and place shadow set members on different HSCs to eliminate a single point of failure.</p>

#### 8.8.2 Advantages

This configuration offers the following advantages:

- All nodes have direct access to all storage.
- This configuration has a high growth capacity for processing and storage.
- The CI is inherently dual pathed, unlike other interconnects.

#### 8.8.3 Disadvantages

This configuration has the following disadvantage:

- Higher cost than the other configurations.

#### 8.8.4 Key Availability Strategies

The configuration in Figure 8–5 incorporates the following strategies, which are critical to its success:

- This configuration has no single point of failure.
- Dual porting and volume shadowing provides multiple copies of essential disks across separate HSC or HSJ controllers.
- All nodes have shared, direct access to all storage.
- At least three nodes are used for quorum, so the OpenVMS Cluster continues if any one node fails.
- There are no satellite dependencies.
- The uninterruptible power supply (UPS) ensures availability in case of a power failure.

# Configuring OpenVMS Clusters for Availability

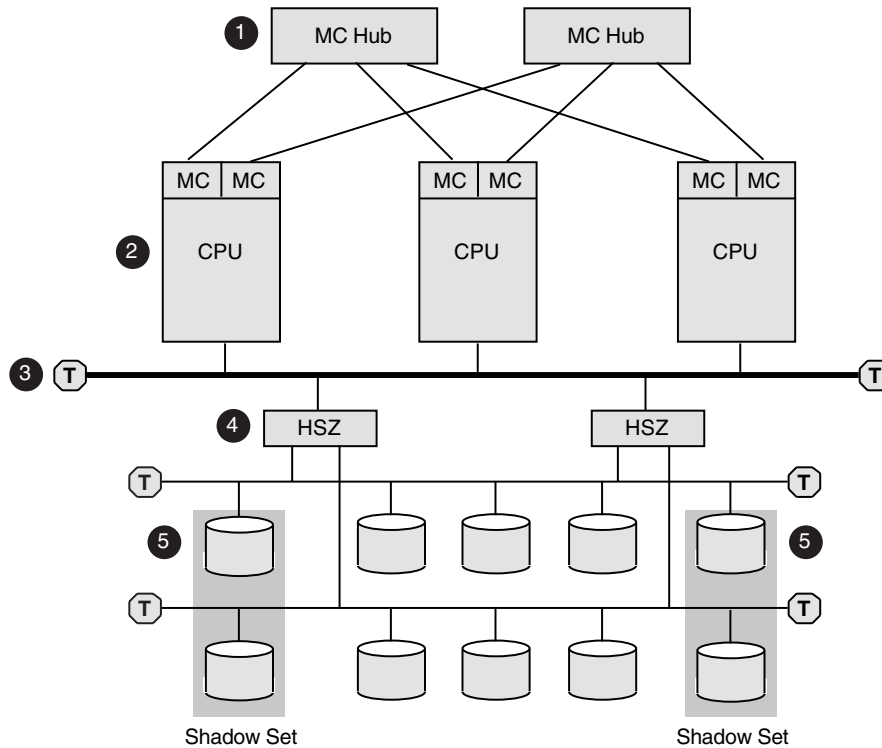
## 8.9 Availability in a MEMORY CHANNEL OpenVMS Cluster

### 8.9 Availability in a MEMORY CHANNEL OpenVMS Cluster

Figure 8–6 shows a highly available MEMORY CHANNEL (MC) cluster configuration. Figure 8–6 is followed by an analysis of the configuration that includes:

- Analysis of its components
- Advantages and disadvantages
- Key availability strategies implemented

**Figure 8–6 MEMORY CHANNEL Cluster**



ZK-8709A-GE

#### 8.9.1 Components

The MEMORY CHANNEL configuration shown in Figure 8–6 has the following components:

Part	Description
1	Two MEMORY CHANNEL hubs. <b>Rationale:</b> Having two hubs and multiple connections to the nodes prevents having a single point of failure.



## Configuring OpenVMS Clusters for Availability

### 8.9 Availability in a MEMORY CHANNEL OpenVMS Cluster

Part	Description
2	Three to eight MEMORY CHANNEL nodes. <b>Rationale:</b> Three nodes are recommended to maintain quorum. A MEMORY CHANNEL interconnect can support a maximum of eight OpenVMS Alpha nodes. <b>Alternative:</b> Two-node configurations require a quorum disk to maintain quorum if a node fails.
3	Fast-wide differential (FWD) SCSI bus. <b>Rationale:</b> Use a FWD SCSI bus to enhance data transfer rates (20 million transfers per second) and because it supports up to two HSZ controllers.
4	Two HSZ controllers. <b>Rationale:</b> Two HSZ controllers ensure redundancy in case one of the controllers fails. With two controllers, you can connect two single-ended SCSI buses and more storage.
5	Essential system disks and data disks. <b>Rationale:</b> Shadow essential disks and place shadow set members on different SCSI buses to eliminate a single point of failure.

#### 8.9.2 Advantages

This configuration offers the following advantages:

- All nodes have direct access to all storage.
- SCSI storage provides low-cost, commodity hardware with good performance.
- The MEMORY CHANNEL interconnect provides high-performance, node-to-node communication at a low price. The SCSI interconnect complements MEMORY CHANNEL by providing low-cost, commodity storage communication.

#### 8.9.3 Disadvantages

This configuration has the following disadvantage:

- The fast-wide differential SCSI bus is a single point of failure. One solution is to add a second, fast-wide differential SCSI bus so that if one fails, the nodes can fail over to the other. To use this functionality, the systems must be running OpenVMS Version 7.2 or higher and have multipath support enabled.

#### 8.9.4 Key Availability Strategies

The configuration in Figure 8–6 incorporates the following strategies, which are critical to its success:

- Redundant MEMORY CHANNEL hubs and HSZ controllers prevent a single point of hub or controller failure.
- Volume shadowing provides multiple copies of essential disks across separate HSZ controllers.
- All nodes have shared, direct access to all storage.
- At least three nodes are used for quorum, so the OpenVMS Cluster continues if any one node fails.

## Configuring OpenVMS Clusters for Availability

### 8.10 Availability in an OpenVMS Cluster with Satellites

#### 8.10 Availability in an OpenVMS Cluster with Satellites

Satellites are systems that do not have direct access to a system disk and other OpenVMS Cluster storage. Satellites are usually workstations, but they can be any OpenVMS Cluster node that is served storage by other nodes in the cluster.

Because satellite nodes are highly dependent on server nodes for availability, the sample configurations presented earlier in this chapter do not include satellite nodes. However, because satellite/server configurations provide important advantages, you may decide to trade off some availability to include satellite nodes in your configuration.

Figure 8–7 shows an optimal configuration for a OpenVMS Cluster system with satellites. Figure 8–7 is followed by an analysis of the configuration that includes:

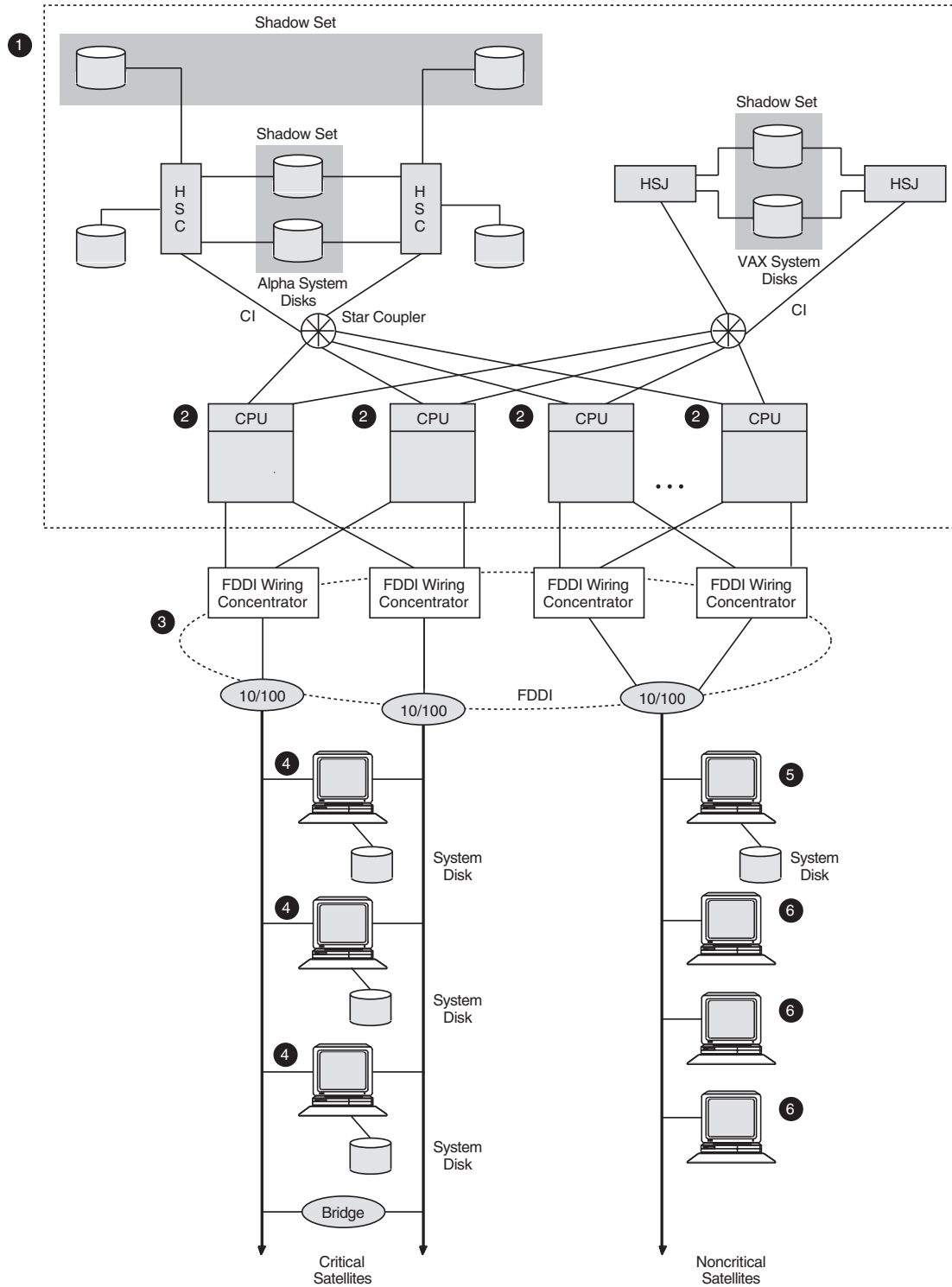
- Analysis of its components
- Advantages and disadvantages
- Key availability strategies implemented

The base configurations in Figure 8–4 and Figure 8–5 could replace the base configuration shown in Figure 8–7. In other words, the FDDI and satellite segments shown in Figure 8–7 could just as easily be attached to the configurations shown in Figure 8–4 and Figure 8–5.

# Configuring OpenVMS Clusters for Availability

## 8.10 Availability in an OpenVMS Cluster with Satellites

**Figure 8-7 OpenVMS Cluster with Satellites**



ZK-6640A-GE

## Configuring OpenVMS Clusters for Availability

### 8.10 Availability in an OpenVMS Cluster with Satellites

#### 8.10.1 Components

This satellite/server configuration in Figure 8–7 has the following components:

Part	Description
1	Base configuration. The base configuration performs server functions for satellites.
2	Three to 16 OpenVMS server nodes. <b>Rationale:</b> At least three nodes are recommended to maintain quorum. More than 16 nodes introduces excessive complexity.
3	FDDI ring between base server nodes and satellites. <b>Rationale:</b> The FDDI ring has increased network capacity over Ethernet, which is slower. <b>Alternative:</b> Use two Ethernet segments instead of the FDDI ring.
4	Two Ethernet segments from the FDDI ring to attach each critical satellite with two Ethernet adapters. Each of these critical satellites has its own system disk. <b>Rationale:</b> Having their own boot disks increases the availability of the critical satellites.
5	For noncritical satellites, place a boot server on the Ethernet segment. <b>Rationale:</b> Noncritical satellites do not need their own boot disks.
6	Limit the satellites to 15 per segment. <b>Rationale:</b> More than 15 satellites on a segment may cause I/O congestion.

#### 8.10.2 Advantages

This configuration provides the following advantages:

- A large number of nodes can be served in one OpenVMS Cluster.
- You can spread a large number of nodes over a greater distance.

#### 8.10.3 Disadvantages

This configuration has the following disadvantages:

- Satellites with single LAN adapters have a single point of failure that causes cluster transitions if the adapter fails.
- High cost of LAN connectivity for highly available satellites.

#### 8.10.4 Key Availability Strategies

The configuration in Figure 8–7 incorporates the following strategies, which are critical to its success:

- This configuration has no single point of failure.
- The FDDI interconnect has sufficient bandwidth to serve satellite nodes from the base server configuration.
- All shared storage is MSCCP served from the base configuration, which is appropriately configured to serve a large number of nodes.

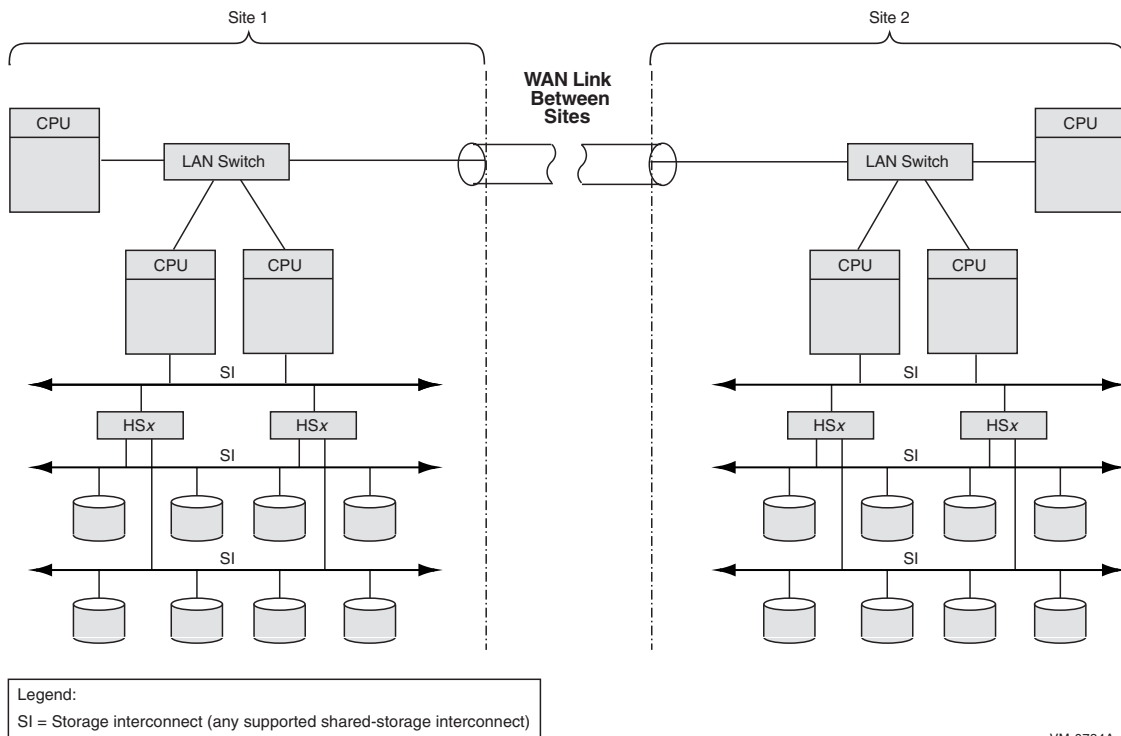
## 8.11 Multiple-Site OpenVMS Cluster System

Multiple-site OpenVMS Cluster configurations contain nodes that are located at geographically separated sites. Depending on the technology used, the distances between sites can be as great as 150 miles. FDDI, asynchronous transfer mode (ATM), and DS3 are used to connect these separated sites to form one large cluster. Available from most common telephone service carriers, DS3 and ATM services provide long-distance, point-to-point communications for multiple-site clusters.

Figure 8–8 shows a typical configuration for a multiple-site OpenVMS Cluster system. Figure 8–8 is followed by an analysis of the configuration that includes:

- Analysis of components
- Advantages

Figure 8–8 Multiple-Site OpenVMS Cluster Configuration Connected by WAN Link



### 8.11.1 Components

Although Figure 8–8 does not show all possible configuration combinations, a multiple-site OpenVMS Cluster can include:

- Two data centers with an intersite link (FDDI, ATM, or DS3) connected to a DECconcentrator or GIGAswitch crossbar switch.
- Intersite link performance that is compatible with the applications that are shared by the two sites.

## Configuring OpenVMS Clusters for Availability

### 8.11 Multiple-Site OpenVMS Cluster System

- Up to 96 Alpha and VAX (combined total) nodes. In general, the rules that apply to OpenVMS LAN and extended LAN (ELAN) clusters also apply to multiple-site clusters.

**Reference:** For LAN configuration guidelines, see Section 4.12.6. For ELAN configuration guidelines, see Section 10.7.8.

#### 8.11.2 Advantages

The benefits of a multiple-site OpenVMS Cluster system include the following:

- A few systems can be remotely located at a secondary site and can benefit from centralized system management and other resources at the primary site. For example, a main office data center could be linked to a warehouse or a small manufacturing site that could have a few local nodes with directly attached, site-specific devices. Alternatively, some engineering workstations could be installed in an office park across the city from the primary business site.
- Multiple sites can readily share devices such as high-capacity computers, tape libraries, disk archives, or phototypesetters.
- Backups can be made to archival media at any site in the cluster. A common example would be to use disk or tape at a single site to back up the data for all sites in the multiple-site OpenVMS Cluster. Backups of data from remote sites can be made transparently (that is, without any intervention required at the remote site).
- In general, a multiple-site OpenVMS Cluster provides all of the availability advantages of a LAN OpenVMS Cluster. Additionally, by connecting multiple, geographically separate sites, multiple-site OpenVMS Cluster configurations can increase the availability of a system or elements of a system in a variety of ways:
  - Logical volume/data availability—Volume shadowing or redundant arrays of independent disks (RAID) can be used to create logical volumes with members at both sites. If one of the sites becomes unavailable, data can remain available at the other site.
  - Site failover—By adjusting the VOTES system parameter, you can select a preferred site to continue automatically if the other site fails or if communications with the other site are lost.

**Reference:** For additional information about multiple-site clusters, see *HP OpenVMS Cluster Systems*.

### 8.12 Disaster-Tolerant OpenVMS Cluster Configurations

Disaster-tolerant OpenVMS Cluster configurations make use of Volume Shadowing for OpenVMS, high-speed networks, and specialized management software.

Disaster-tolerant OpenVMS Cluster configurations enable systems at two different geographic sites to be combined into a single, manageable OpenVMS Cluster system. Like the multiple-site cluster discussed in the previous section, these physically separate data centers are connected by FDDI or by a combination of FDDI and ATM, T3, or E3.

## **Configuring OpenVMS Clusters for Availability**

### **8.12 Disaster-Tolerant OpenVMS Cluster Configurations**

The OpenVMS disaster-tolerant product was formerly named the Business Recovery Server (BRS). BRS has been subsumed by a services offering named Disaster Tolerant Cluster Services, which is a system management and software service package. For more information about Disaster Tolerant Cluster Services, contact your HP Services representative.





---

## Configuring CI OpenVMS Clusters for Availability and Performance

There are many ways to configure a CI (cluster interconnect) OpenVMS Cluster system. This chapter describes how to configure CI OpenVMS Clusters to maximize both availability and performance. This is done by presenting a series of configuration examples of increasing complexity, followed by a comparative analysis of each example. These configurations illustrate basic techniques that can be scaled upward to meet the availability, I/O performance, and storage connectivity needs of very large clusters.

### 9.1 CI Components

The CI is a radial bus through which OpenVMS Cluster systems communicate with each other and with storage. The CI consists of the following components:

- CI host adapter
- HSJ or HSC storage controller

An HSJ or HSC storage controller is optional but generally present.

- CI cables

For each of the CI's two independent paths (called path A and path B), there is a transmit and receive cable pair.

- Star coupler

This is a passive device that serves as a common connection point for signals between OpenVMS nodes and HSC or HSJ controllers that are connected to the CI. A star coupler consists of two completely independent and electrically isolated "path hubs." Each CI path hub is extremely reliable because it contains only transformers carrying low-power signals.

Availability and performance can both be increased by adding components. Components added for availability need to be configured so that a redundant component is available to assume the work being performed by a failed component. Components added for performance need to be configured so that the additional components can work in parallel with other components.

Frequently, you need to maximize both availability and performance. The techniques presented here are intended to help achieve these dual goals.

# Configuring CI OpenVMS Clusters for Availability and Performance

## 9.2 Configuration Assumptions

### 9.2 Configuration Assumptions

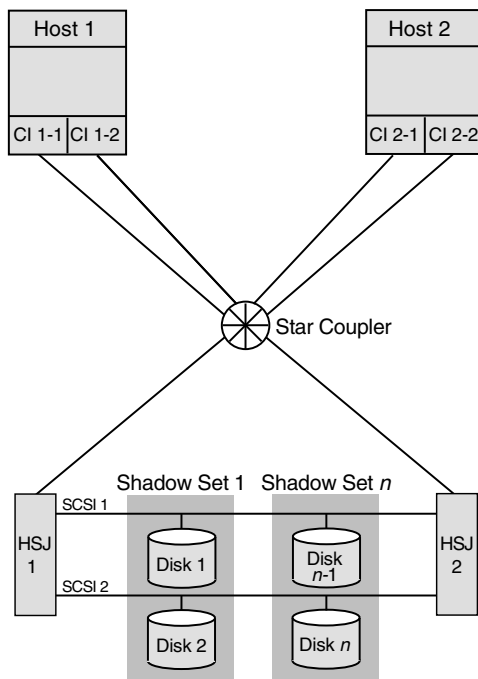
The configurations shown here are based on the following assumptions:

1. MSCP serving is enabled.
2. Volume Shadowing for OpenVMS is installed.
3. When performance is being discussed:
  - a. CI host adapters are CIPCA or CIXCD.  
Older CI adapter models are significantly slower.
  - b. CI storage controllers are HSJ50s.  
Compared with HSJ50s, HSJ40s are somewhat slower, and HSC models are significantly slower.

### 9.3 Configuration 1

Configuration 1, shown in Figure 9–1, provides no single point of failure. Its I/O performance is limited by the bandwidth of the star coupler.

**Figure 9–1 Redundant HSJs and Host CI Adapters Connected to Same CI (Configuration 1)**



ZK-9146A-AI

# Configuring CI OpenVMS Clusters for Availability and Performance

## 9.3 Configuration 1

### 9.3.1 Components

The CI configuration shown in Figure 9–1 has the following components:

Part	Description
Host 1, Host 2	Dual CI capable OpenVMS Alpha or VAX hosts. <b>Rationale:</b> Either host can fail and the system can continue. The full performance of both hosts is available for application use under normal conditions.
CI 1-1, CI 1-2, CI 2-1, CI 2-2	Dual CI adapters on each host. <b>Rationale:</b> Either of a host's CI adapters can fail and the host will retain CI connectivity to the other host and to the HSJ storage controllers.
Star Coupler	One star coupler cabinet containing two independent path hubs. The star coupler is redundantly connected to the CI host adapters and HSJ storage controllers by a transmit/receive cable pair per path. <b>Rationale:</b> Either of the path hubs or an attached cable could fail and the other CI path would continue to provide full CI connectivity. When both paths are available, their combined bandwidth is usable for host-to-host and host-to-storage controller data transfer.
HSJ 1, HSJ 2	Dual HSJ storage controllers in a single StorageWorks cabinet. <b>Rationale:</b> Either storage controller can fail and the other controller can assume control of all disks by means of the SCSI buses shared between the two HSJs. When both controllers are available, each can be assigned to serve a portion of the disks. Thus, both controllers can contribute their I/O-per-second and bandwidth capacity to the cluster.
SCSI 1, SCSI 2	Shared SCSI buses between HSJ pairs. <b>Rationale:</b> Provide access to each disk on a shared SCSI from either HSJ storage controller. This effectively dual ports the disks on that bus.
Disk 1, Disk 2, . . . Disk <i>n</i> -1, Disk <i>n</i>	Critical disks are dual ported between HSJ pairs by shared SCSI buses. <b>Rationale:</b> Either HSJ can fail, and the other HSJ will assume control of the disks that the failed HSJ was controlling.
Shadow Set 1 through Shadow Set <i>n</i>	Essential disks are shadowed by another disk that is connected on a different shared SCSI. <b>Rationale:</b> A disk or the SCSI bus to which it is connected, or both, can fail, and the other shadow set member will still be available. When both disks are available, their combined READ I/O capacity and READ data bandwidth capacity are available to the cluster.

### 9.3.2 Advantages

This configuration offers the following advantages:

- All nodes have direct access to storage.
- Highly expandable.
- CI is inherently dual pathed.
- No single component failure can disable the cluster.
- If a CI adapter fails, or both its paths are disabled, OpenVMS will automatically fail over all I/O and cluster traffic to the other CI adapter.
- Disks are dual ported between HSJ controllers; automatic disk failover to the other controller if an HSJ fails or if an HSJ loses both paths to a star coupler.

## Configuring CI OpenVMS Clusters for Availability and Performance

### 9.3 Configuration 1

- Redundant storage controllers can be used to provide additional performance by dividing disks between the two storage controllers.

Disks can be assigned to HSJ storage controllers by the OpenVMS Prefer utility supplied in SYS\$EXAMPLES, or by issuing a \$QIO call with IO\$\_SETPRFPATH and IO\$\_FORCEPATH modifiers, or by using the HSJ SET\_PREFERRED command (less desirable; use only for this configuration).

- Critical disks are shadowed with shadow set members on different SCSI buses.
- Read I/Os are automatically load balanced across shadow set members for performance.
- Lowest cost.

#### 9.3.3 Disadvantages

This configuration has the following disadvantages:

- Second CI adapter in each host is unlikely to enhance performance.
- Both HSJs have to share the bandwidth of a single CI.
- Failure of a CI path hub or path cable halves the bandwidth available to all CI components that use the failed component.
- Physical damage to a star coupler or associated cables is likely to disable the entire CI, rendering the cluster unusable.
- Physical damage to the StorageWorks cabinet could render the cluster unusable.

#### 9.3.4 Key Availability and Performance Strategies

This configuration incorporates the following strategies:

- All components are duplicated.
- Redundant storage controllers are included.
- This configuration has no single point of failure.
- Dual porting and volume shadowing provide multiple copies of essential disks across separate HSJ controllers.
- All nodes have shared, direct access to all storage.
- A quorum disk allows other node to continue if one node fails. (Alternatively, at least three nodes could be used.)

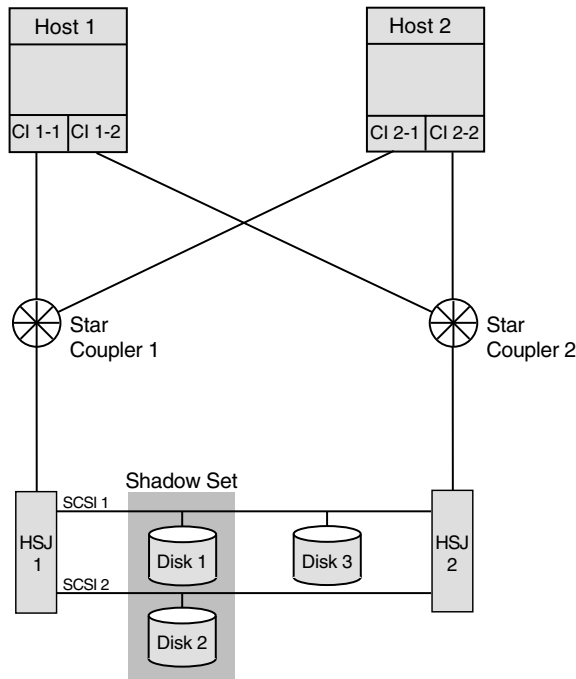
## 9.4 Configuration 2

The configuration illustrated in Figure 9–2 with redundant HSJs, host CI adapters, and CIs provides no electrical single point of failure. Its two star couplers provide increased I/O performance and availability over configuration 1.

# Configuring CI OpenVMS Clusters for Availability and Performance

## 9.4 Configuration 2

Figure 9–2 Redundant HSJs and Host CI Adapters Connected to Redundant CIs (Configuration 2)



ZK-9147A-AI

### 9.4.1 Components

Configuration 2 has the following components:

Part	Description
Host 1, Host 2	Dual CI capable OpenVMS Alpha or VAX hosts. <b>Rationale:</b> Either host can fail and the system can continue to run. The full performance of both hosts is available for application use under normal conditions.
CI 1-1, CI 1-2, CI 2-1, CI 2-2	Dual CI adapters on each host. Adapter CI 1- <i>n</i> is Host 1's CI adapter connected to CI <i>n</i> , and so on. <b>Rationale:</b> Either of a host's CI adapters can fail, and the host will retain CI connectivity to the other host and to the HSJ storage controllers. Each CI adapter on a host is connected to a different star coupler. In the absence of failures, the full data bandwidth and I/O-per-second capacity of both CI adapters is available to the host.
Star Coupler 1, Star Coupler 2	Two star couplers, each consisting of two independent path hub sections. Each star coupler is redundantly connected to the CI host adapters and HSJ storage controllers by a transmit/receive cable pair per path. <b>Rationale:</b> Any of the path hubs or an attached cable could fail and the other CI path would continue to provide full connectivity for that CI. Loss of a path affects only the bandwidth available to the storage controller and host adapters connected to the failed path. When all paths are available, the <i>combined bandwidth of both CIs is usable</i> .

## Configuring CI OpenVMS Clusters for Availability and Performance

### 9.4 Configuration 2

Part	Description
HSJ 1, HSJ 2	Dual HSJ storage controllers in a single StorageWorks cabinet. <b>Rationale:</b> Either storage controller can fail and the other controller can control any disks the failed controller was handling by means of the SCSI buses shared between the two HSJs. When both controllers are available, each can be assigned to serve a subset of the disks. Thus, both controllers can contribute their I/O-per-second and bandwidth capacity to the cluster.
SCSI 1, SCSI 2	Shared SCSI buses connected between HSJ pairs. <b>Rationale:</b> Either of the shared SCSI buses could fail and access would still be provided from the HSJ storage controllers to each disk by means of the remaining shared SCSI bus. This effectively dual ports the disks on that bus.
Disk 1, Disk 2, ... Disk <i>n</i> -1, Disk <i>n</i>	Critical disks are dual ported between HSJ pairs by shared SCSI buses. <b>Rationale:</b> Either HSJ can fail and the other HSJ will assume control of the disks the failed HSJ was controlling.
Shadow Set 1 through Shadow Set <i>n</i>	Essential disks are shadowed by another disk that is connected on a different shared SCSI. <b>Rationale:</b> A disk or the SCSI bus to which it is connected, or both, can fail and the other shadow set member will still be available. When both disks are available, both can provide their READ I/O capacity and their READ data bandwidth capacity to the cluster.

#### 9.4.2 Advantages

Configuration 2 offers all the advantages of Configuration 1 plus the following advantages:

- CI is likely to remain fully usable in the event of localized damage to a star coupler cabinet or to the cables connected to it.
- Failure of an HSJ, or an HSJ losing both paths to a star coupler host will result in the other HSJ assuming control of all dual-pathed disks.
- Host with connectivity will automatically MSCP serve unreachable disks to a host that has lost connectivity to an HSJ.
- Dual-pathed disks can be switched to an HSJ with full host connectivity if a host loses connectivity to an HSJ.

The disks on the HSJ that cannot be reached by a host can be reassigned to the HSJ with full connectivity by operator command, or by a DCL or other program that monitors for connectivity loss. You can assign disks to another storage controller with the Prefer utility supplied in SYS\$EXAMPLES, or by issuing a \$QIO call with IO\$\_SETPRFPATH and IO\$\_FORCEPATH modifiers, or by powering off the HSJ with reduced connectivity (less desirable).

The HSJ SET\_PREFERRED command is **not** recommended in this configuration because this command can not be overridden by a host PREFER or IO\$\_SETPRFPATH modifier. A new SET\_PREFERRED command assigning a device to another HSJ will not take effect until the HSJ, to which the device was assigned by a previous SET\_PREFERRED command, is power cycled.)

### 9.4.3 Disadvantages

Configuration 2 has the following disadvantages:

- Host CI adapter failure will *not* cause disks to automatically fail over to an HSJ that still has full host connectivity.  
If a host CI adapter fails and if MSCP serving is enabled, then the other OpenVMS system will begin serving the unreachable HSJ's disks to the host with the failed adapter.
- Physical damage to a star coupler or associated cables is likely to disable the entire CI, rendering the cluster unusable.
- Physical damage to the StorageWorks cabinet could render the cluster unusable.
- Higher cost than configuration 1.

### 9.4.4 Key Availability and Performance Strategies

Configuration 2 provides configuration 1 strategies, plus:

- Second CI provides additional redundancy.
- Second CI cables and star coupler are physically separate.

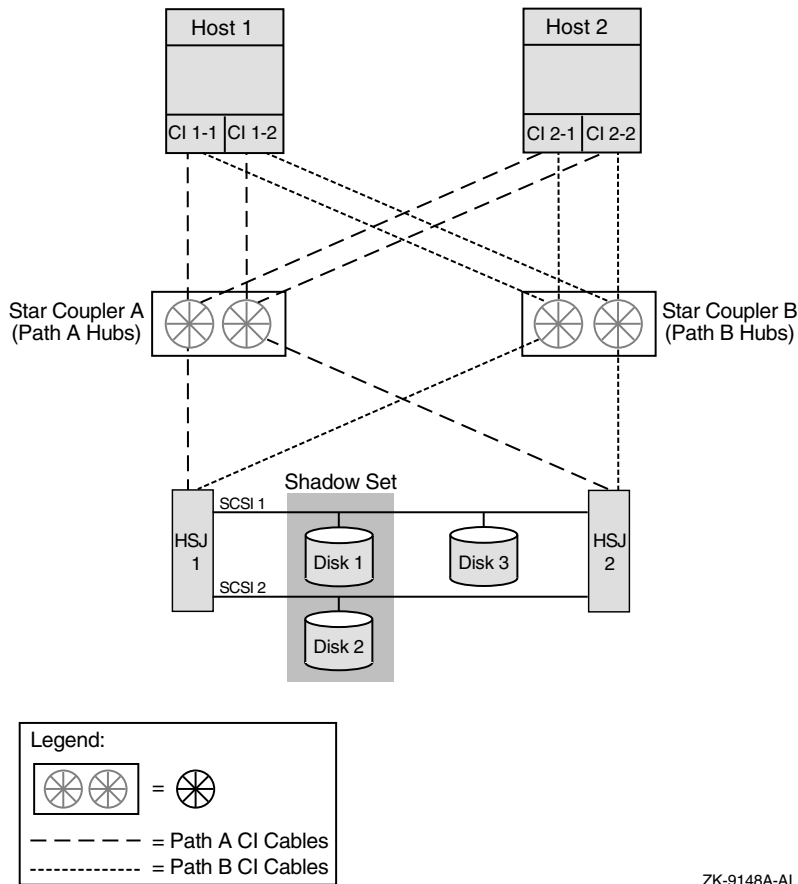
## 9.5 Configuration 3

The availability of a CI configuration can be further improved by physically separating the path A and path B CI cables and their associated path hubs. This significantly reduces the probability of a mechanical accident or other localized damage destroying both paths of a CI. This configuration is shown in Figure 9-3.

# Configuring CI OpenVMS Clusters for Availability and Performance

## 9.5 Configuration 3

**Figure 9–3 Redundant Components and Path-Separated Star Couplers (Configuration 3)**



ZK-9148A-AI

Configuration 3 is electrically identical to configuration 2. However, the path A and path B cables are physically separate for both CIs. The path A cables for both CI 1 and CI 2 are routed together to star coupler cabinet A, but are connected to different CI path hubs in that cabinet.

Similarly, the path B cables for both CIs go to different CI path hubs in star coupler cabinet B. The path-specific star coupler cabinets and associated path cables should be separated as much as possible. For example, the star coupler cabinets could be installed on opposite sides of a computer room, and the CI cables could be routed so that path A and path B cables follow different paths.

### Note

The path separation technique illustrated for configuration 3 (Figure 9–3) can also be applied to configuration 1 (Figure 9–1). In this case, each star coupler cabinet would have only one path hub. The CI's path A cables would go to the path hub in Star Coupler A. Similarly, the path B cables would go to Star Coupler B.



## Configuring CI OpenVMS Clusters for Availability and Performance

### 9.5 Configuration 3

#### 9.5.1 Components

The CI OpenVMS Cluster configuration shown in Figure 9–3 has the following components:

Part	Description
Host 1, Host 2	<p>Dual CI capable OpenVMS Alpha or VAX hosts.</p> <p><b>Rationale:</b> Either host can fail and the system can continue. The full performance of both hosts is available for application use under normal conditions.</p>
CI 1-1, CI 1-2, CI 2-1, CI 2-2	<p>Dual CI adapters on each host. Adapter CI 1-<i>n</i> is Host 1's CI adapter connected to CI <i>n</i>, and so on.</p> <p><b>Rationale:</b> Either host's CI adapters can fail and the host will retain CI connectivity to the other host and to the HSJ storage controllers. Each CI adapter on a host is connected to a different star coupler. In the absence of failures, the full data bandwidth and I/O-per-second capacity of both CI adapters is available to the host.</p>
Star Coupler A (Path A Hubs), Star Coupler B (Path B Hubs)	<p>Two CI star couplers, each comprising two independent path hubs. Star Coupler A's path hubs are connected to path A cables for both CIs, and Star Coupler B's path hubs are connected to path B cables for both CIs.</p> <p><b>Rationale:</b> Mechanical or other localized damage to a star coupler or an attached cable would probably not affect the other CI paths. The other paths and star coupler would continue to provide full connectivity for both CIs. Loss of a path affects only the bandwidth available to the storage controllers and host adapters connected to the failed path. When all paths are available, the <i>combined bandwidth of both CIs is usable</i>.</p>
Path A CI Cables, Path B CI Cables	<p>Each path's hub is connected to the CI host adapters and HSJ storage controllers by a transmit/receive cable pair per path. The path A cables of both CIs are routed together, but their routing differs from the routing of the path B cables.</p>
HSJ 1, HSJ 2	<p>Dual HSJ storage controllers in a single StorageWorks cabinet.</p> <p><b>Rationale:</b> Either storage controller can fail and the other controller can control any disks the failed controller was handling by means of the SCSI buses shared between the two HSJs. When both controllers are available, each can be assigned to serve a subset of the disks. Thus, both controllers can contribute their I/O-per-second and bandwidth capacity to the cluster.</p>
SCSI 1, SCSI 2	<p>Shared SCSI buses connected between HSJ pairs.</p> <p><b>Rationale:</b> Provide access to each disk on a shared SCSI bus from either HSJ storage controller. This effectively dual ports the disks on that bus.</p>
Disk 1, Disk 2, . . . Disk <i>n</i> -1, Disk <i>n</i>	<p>Critical disks are dual ported between HSJ pairs by shared SCSI buses.</p> <p><b>Rationale:</b> Either HSJ can fail and the other HSJ will assume control of the disks that the failed HSJ was controlling.</p>
Shadow Set 1 through Shadow Set <i>n</i>	<p>Essential disks are shadowed by another disk that is connected on a different shared SCSI.</p> <p><b>Rationale:</b> A disk, or the SCSI bus to which it is connected, or both, can fail and the other shadow set member will still be available. When both disks are available, their combined READ I/O-per-second capacity and READ data bandwidth capacity is available to the cluster.</p>

## Configuring CI OpenVMS Clusters for Availability and Performance

### 9.5 Configuration 3

#### 9.5.2 Advantages

Configuration 3 offers the same individual component advantages as configuration 2, plus:

- Both CIs remain usable in the event of localized damage to a CI path.
- Same cost as configuration 2 with better availability.

#### 9.5.3 Disadvantages

Configuration 3 has the following disadvantages:

- Host CI adapter failure will **not** cause disks to automatically fail over to an HSJ that still has full host connectivity.  
If a host CI adapter fails and if MSCP serving is enabled, the other OpenVMS system will begin serving the unreachable HSJ's disks to the host with the failed adapter.
- Damage to star coupler or associated cables likely to affect the same path of both CIs.
- Damage affecting path *n* of both CIs can halve the usable bandwidth of both CIs.
- Physical damage to the StorageWorks cabinet could render the cluster unusable.

#### 9.5.4 Key Availability and Performance Strategies

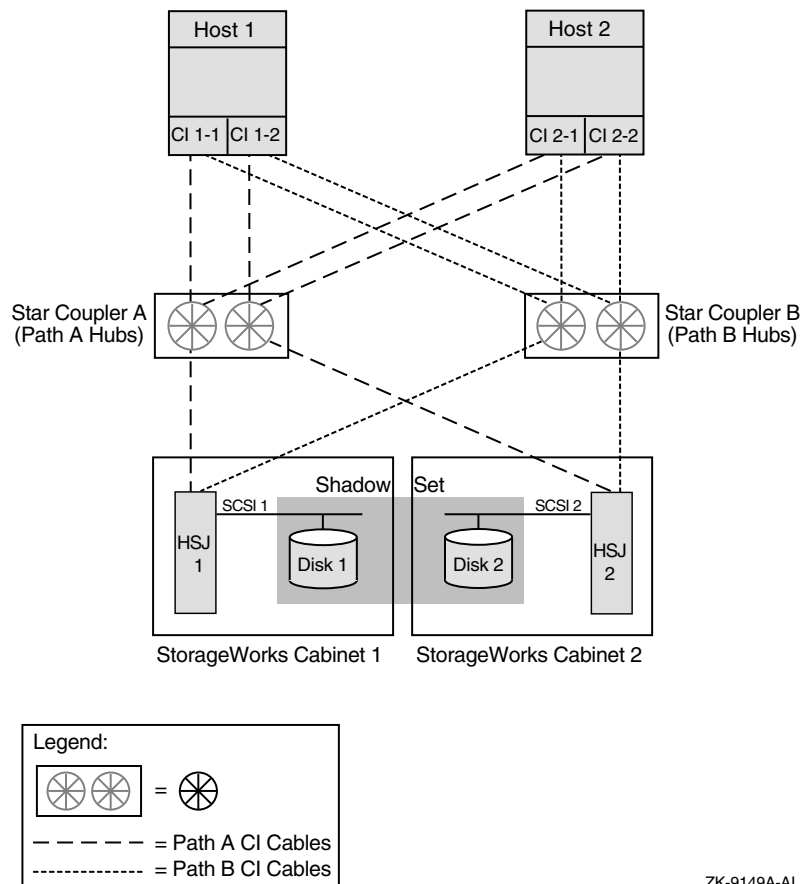
Configuration 3 provides all the strategies of configuration 2 except for physical separation of CIs. The major advantage over configuration 2 are the path-specific star coupler cabinets. They provide physical isolation of the path A cables and the path A hub from the path B cables and the path B hub.

### 9.6 Configuration 4

The availability of a CI configuration can be further improved by physically separating shadow set members and their HSJ controllers. This significantly reduces the probability of a mechanical accident or other localized damage that could destroy both members of a shadow set. This configuration is shown in Figure 9-4.

## Configuring CI OpenVMS Clusters for Availability and Performance 9.6 Configuration 4

**Figure 9–4 Redundant Components, Path-Separated Star Couplers, and Duplicate StorageWorks Cabinets (Configuration 4)**



ZK-9149A-AI

Configuration 4 is similar to configuration 3 except that the shadow set members and their HSJ controllers are mounted in separate StorageWorks cabinets that are located some distance apart.

The StorageWorks cabinets, path-specific star coupler cabinets, and associated path cables should be separated as much as possible. For example, the StorageWorks cabinets and the star coupler cabinets could be installed on opposite sides of a computer room. The CI cables should be routed so that path A and path B cables follow different paths.

**Note**

The separate StorageWorks cabinets technique illustrated in configuration 4 (Figure 9–4) can also be applied to configuration 1 (Figure 9–1) and configuration 2 (Figure 9–2).

# Configuring CI OpenVMS Clusters for Availability and Performance

## 9.6 Configuration 4

### 9.6.1 Components

The CI OpenVMS Cluster configuration shown in Figure 9–4 has the following components:

Part	Description
Host 1, Host 2	Dual CI capable OpenVMS Alpha or VAX hosts. <b>Rationale:</b> Either host can fail and the system can continue to run. The full performance of both hosts is available for application use under normal conditions.
CI 1-1, CI 1-2, CI 2-1, CI 2-2	Dual CI adapters on each host. Adapter CI 1- <i>n</i> is Host 1's CI adapter connected to CI <i>n</i> , and so on. <b>Rationale:</b> Either of a host's CI adapters can fail and the host will retain CI connectivity to the other host and the HSJ storage controllers. Each CI adapter on a host is connected to a different star coupler. In the absence of failures, the full data bandwidth and I/O-per-second capacity of both CI adapters are available to the host.
Star Coupler A (Path A Hubs), Star Coupler B (Path B Hubs)	Two CI star couplers, each comprising two independent path hub sections. Star Coupler A's path hubs are connected to the path A cables for both CIs, and Star Coupler B's path hubs are connected to the path B cables for both CIs. <b>Rationale:</b> Mechanical or other localized damage to a star coupler or an attached cable would probably not affect the other CI paths. The other paths and star coupler would continue to provide full connectivity for both CIs. Loss of a path affects the bandwidth available to the storage controllers and host adapters that are connected to the failed path. When all paths are available, the combined bandwidth of both CIs is usable.
Path A CI cables, Path B CI cables	Each path's hub is connected to the CI host adapters and HSJ storage controllers by a transmit/receive cable pair per path. The path A cables of both CIs are routed together, but their routing differs from the routing of the path B cables.
HSJ 1, HSJ 2	Dual HSJ storage controllers, each in a separate StorageWorks cabinet. Data is replicated across StorageWorks cabinets using Volume Shadowing for DIGITAL OpenVMS. <b>Rationale:</b> A StorageWorks cabinet can be destroyed, or one storage controller can fail, and the remaining controller located in the other StorageWorks cabinet can control shadow copies of all disks. When both controllers are available, each can be assigned to serve a subset of the disks. Volume shadowing will distribute READ I/Os across the HSJs. Thus, both controllers can contribute their I/O-per-second and bandwidth capacity to the cluster.
SCSI 1, SCSI 2	Private SCSI buses connected to an HSJ. <b>Rationale:</b> Provide host access to each shadow set member.
Shadow Set	Essential disks are shadowed between HSJ pairs using volume shadowing. Each HSJ and its disks are in a StorageWorks cabinet that is physically separated from the other StorageWorks cabinet. <b>Rationale:</b> An entire StorageWorks cabinet can be destroyed, or a disk, the SCSI bus, or the HSJ to which it is connected can fail, and the other shadow set member will still be available. When both disks are available, they can each provide their READ I/O per second capacity and READ data bandwidth capacity to the cluster.

### **9.6.2 Advantages**

Configuration 4 offers most of the individual component advantages of configuration 3, plus:

- Physical damage to one StorageWorks cabinet is not likely to disable the cluster.
- Disk failover to another HSJ is not a problem.

### **9.6.3 Disadvantages**

Configuration 4 has the following disadvantages:

- Does not have redundant paths to each disk.
- Write I/Os to shadow sets use twice the CI bandwidth of other alternatives.
- Higher cost than configuration 2 and configuration 3.

### **9.6.4 Key Availability and Performance Strategies**

Configuration 4 (Figure 9–4) provides all of the strategies of configuration 3. It also provides shadow set members that are in physically separate StorageWorks cabinets.

## **9.7 Summary**

All four configurations illustrate how to obtain both availability and performance by:

- Adding redundant components
- Dual-porting critical disks
- Shadowing essential disks

An advanced technique, separating the CI path A and path B cables and associated hubs, is used in configuration 3 and configuration 4. This technique increases availability and maintains performance with no additional hardware. Configuration 4 provides even greater availability without compromising performance by physically separating shadow set members and their HSJ controllers.

Using these configurations as a guide, you can select the techniques that are appropriate for your computing needs and adapt your environment as conditions change. The techniques illustrated in these configurations can be scaled for larger CI configurations.



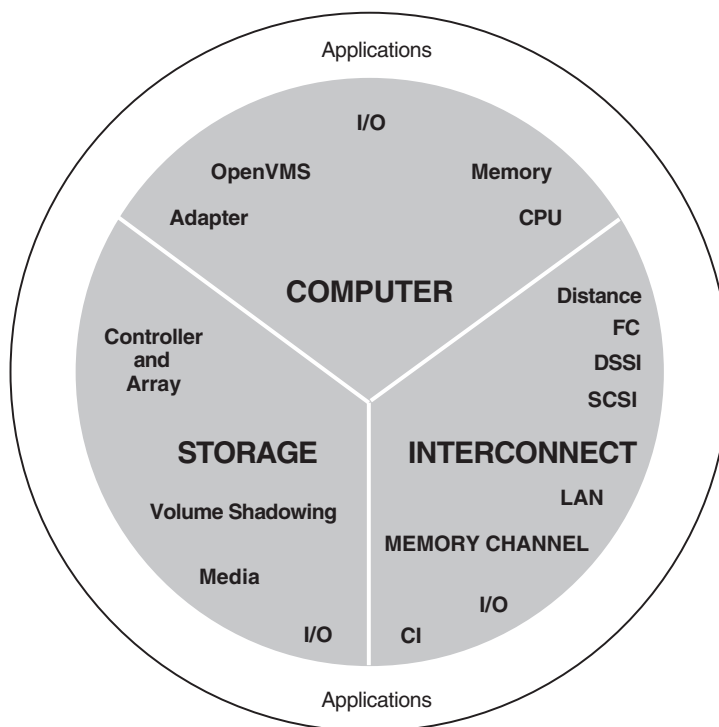
## Configuring OpenVMS Clusters for Scalability

This chapter explains how to maximize scalability in many different kinds of OpenVMS Clusters.

### 10.1 What Is Scalability?

Scalability is the ability to expand an OpenVMS Cluster system in any system, storage, and interconnect dimension and at the same time fully use the initial configuration equipment. Your OpenVMS Cluster system can grow in many dimensions, as shown in Figure 10–1. Each dimension also enables your applications to expand.

Figure 10–1 OpenVMS Cluster Growth Dimensions



VM-0218A-AI

#### 10.1.1 Scalable Dimensions

Table 10–1 describes the growth dimensions for systems, storage, and interconnects in OpenVMS Clusters.

# Configuring OpenVMS Clusters for Scalability

## 10.1 What Is Scalability?

**Table 10–1 Scalable Dimensions in OpenVMS Clusters**

This Dimension	Grows by...
<b>Systems</b>	
CPU	Implementing SMP within a system. Adding systems to a cluster. Accommodating various processor sizes in a cluster. Adding a bigger system to a cluster. Migrating from VAX to Alpha systems.
Memory	Adding memory to a system.
I/O	Adding interconnects and adapters to a system. Adding MEMORY CHANNEL to a cluster to offload the I/O interconnect.
OpenVMS	Tuning system parameters. Moving to OpenVMS Alpha.
Adapter	Adding storage adapters to a system. Adding CI and DSSI adapters to a system. Adding LAN adapters to a system.
<b>Storage</b>	
Media	Adding disks to a cluster. Adding tapes and CD-ROMs to a cluster.
Volume shadowing	Increasing availability by shadowing disks. Shadowing disks across controllers. Shadowing disks across systems.
I/O	Adding solid-state or DECram disks to a cluster. Adding disks and controllers with caches to a cluster. Adding RAID disks to a cluster.
Controller and array	Moving disks and tapes from systems to controllers. Combining disks and tapes in arrays. Adding more controllers and arrays to a cluster.
<b>Interconnect</b>	
LAN	Adding Ethernet and FDDI segments. Upgrading from Ethernet to FDDI. Adding redundant segments and bridging segments.
CI, DSSI, Fibre Channel, SCSI, and MEMORY CHANNEL	Adding CI, DSSI, Fibre Channel, SCSI, and MEMORY CHANNEL interconnects to a cluster or adding redundant interconnects to a cluster.
I/O	Adding faster interconnects for capacity. Adding redundant interconnects for capacity and availability.
Distance	Expanding a cluster inside a room or a building. Expanding a cluster across a town or several buildings. Expanding a cluster between two sites (spanning 40 km).

The ability to add to the components listed in Table 10–1 in any way that you choose is an important feature that OpenVMS Clusters provide. You can add hardware and software in a wide variety of combinations by carefully following the suggestions and guidelines offered in this chapter and in the products' documentation. When you choose to expand your OpenVMS Cluster in a specific dimension, be aware of the advantages and tradeoffs with regard to the other dimensions. Table 10–2 describes strategies that promote OpenVMS Cluster scalability. Understanding these scalability strategies can help you maintain a higher level of performance and availability as your OpenVMS Cluster grows.



# Configuring OpenVMS Clusters for Scalability

## 10.2 Strategies for Configuring a Highly Scalable OpenVMS Cluster

### 10.2 Strategies for Configuring a Highly Scalable OpenVMS Cluster

The hardware that you choose and the way that you configure it has a significant impact on the scalability of your OpenVMS Cluster. This section presents strategies for designing an OpenVMS Cluster configuration that promotes scalability.

#### 10.2.1 Scalability Strategies

Table 10–2 lists strategies in order of importance that ensure scalability. This chapter contains many figures that show how these strategies are implemented.

**Table 10–2 Scalability Strategies**

Strategy	Description
Capacity planning	Running a system above 80% capacity (near performance saturation) limits the amount of future growth possible.  Understand whether your business and applications will grow. Try to anticipate future requirements for processor, memory, and I/O.
Shared, direct access to all storage	The ability to scale compute and I/O performance is heavily dependent on whether all of the systems have shared, direct access to all storage.  The CI and DSSI OpenVMS Cluster illustrations that follow show many examples of shared, direct access to storage, with no MSCP overhead.  <b>Reference:</b> For more information about MSCP overhead, see Section 10.8.1.
Limit node count to between 3 and 16	Smaller OpenVMS Clusters are simpler to manage and tune for performance and require less OpenVMS Cluster communication overhead than do large OpenVMS Clusters. You can limit node count by upgrading to a more powerful processor and by taking advantage of OpenVMS SMP capability.  If your server is becoming a compute bottleneck because it is overloaded, consider whether your application can be split across nodes. If so, add a node; if not, add a processor (SMP).
Remove system bottlenecks	To maximize the capacity of any OpenVMS Cluster function, consider the hardware and software components required to complete the function. Any component that is a bottleneck may prevent other components from achieving their full potential. Identifying bottlenecks and reducing their effects increases the capacity of an OpenVMS Cluster.
Enable the MSCP server	The MSCP server enables you to add satellites to your OpenVMS Cluster so that all nodes can share access to all storage. In addition, the MSCP server provides failover for access to shared storage when an interconnect fails.
Reduce interdependencies and simplify configurations	An OpenVMS Cluster system with one system disk is completely dependent on that disk for the OpenVMS Cluster to continue. If the disk, the node serving the disk, or the interconnects between nodes fail, the entire OpenVMS Cluster system may fail.
Ensure sufficient serving resources	If a small disk server has to serve a large number of disks to many satellites, the capacity of the entire OpenVMS Cluster is limited. Do not overload a server because it will become a bottleneck and will be unable to handle failover recovery effectively.
Configure resources and consumers close to each other	Place servers (resources) and satellites (consumers) close to each other. If you need to increase the number of nodes in your OpenVMS Cluster, consider dividing it. See Section 11.2.4 for more information.

(continued on next page)

# Configuring OpenVMS Clusters for Scalability

## 10.2 Strategies for Configuring a Highly Scalable OpenVMS Cluster

**Table 10–2 (Cont.) Scalability Strategies**

Strategy	Description
Set adequate system parameters	If your OpenVMS Cluster is growing rapidly, important system parameters may be out of date. Run AUTOGEN, which automatically calculates significant system parameters and resizes page, swap, and dump files.

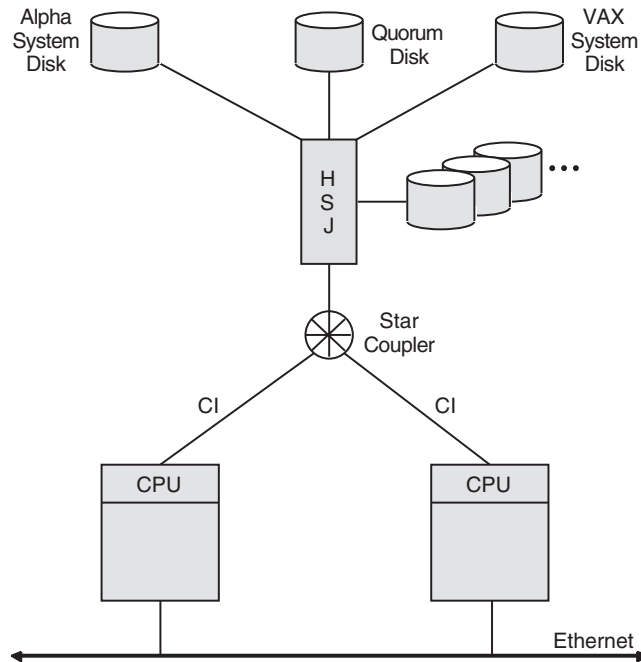
### 10.3 Scalability in CI OpenVMS Clusters (Alpha and VAX)

Each CI star coupler can have up to 32 nodes attached; 16 can be systems and the rest can be storage controllers and storage. Figure 10–2, Figure 10–3, and Figure 10–4 show a progression from a two-node CI OpenVMS Cluster to a seven-node CI OpenVMS Cluster.

#### 10.3.1 Two-Node CI OpenVMS Cluster

In Figure 10–2, two nodes have shared, direct access to storage that includes a quorum disk. The VAX and Alpha systems each have their own system disks.

**Figure 10–2 Two-Node CI OpenVMS Cluster**



ZK-7023A-GE

## Configuring OpenVMS Clusters for Scalability

### 10.3 Scalability in CI OpenVMS Clusters (Alpha and VAX)

The advantages and disadvantages of the configuration shown in Figure 10–2 include:

#### Advantages

- All nodes have shared, direct access to all storage.
- As the nodes and storage in this configuration grow, all nodes can still have shared, direct access to storage.
- The MSCP server is enabled for failover to the LAN interconnect in case the CI fails. Enabling the MSCP server also allows you to add satellites.
- This configuration has the lowest cost of the CI configurations shown in this section.

#### Disadvantage

- The single HSJ is a potential bottleneck and single point of failure.

An increased need for more storage or processing resources could lead to an OpenVMS Cluster configuration like the one shown in Figure 10–3.

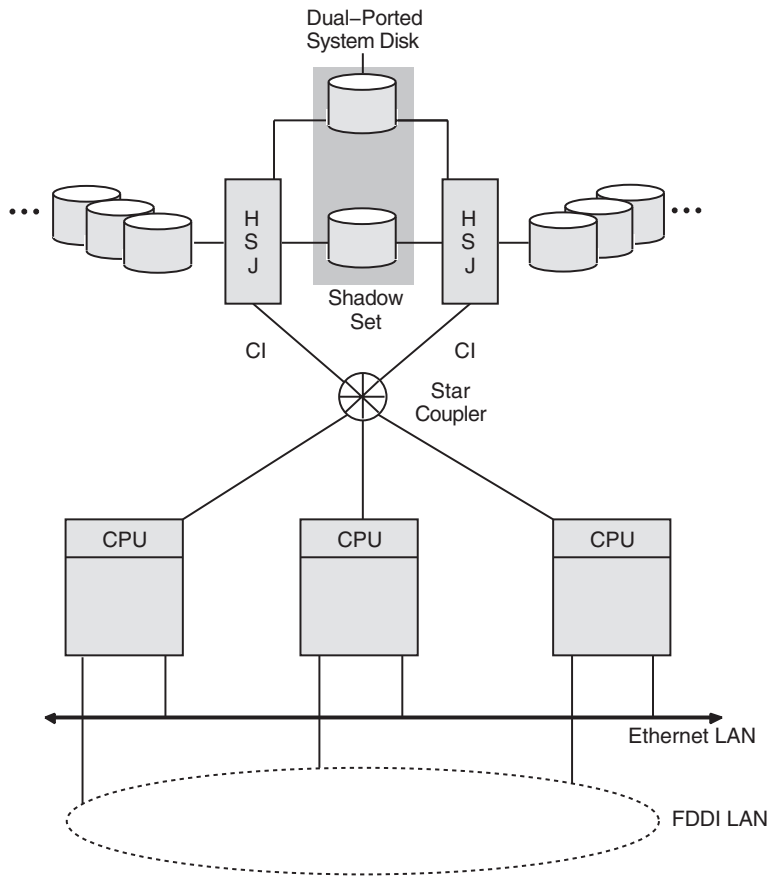
#### 10.3.2 Three-Node CI OpenVMS Cluster

In Figure 10–3, three nodes are connected to two HSJ controllers by the CI interconnects. The critical system disk is dual ported and shadowed.

## Configuring OpenVMS Clusters for Scalability

### 10.3 Scalability in CI OpenVMS Clusters (Alpha and VAX)

Figure 10–3 Three-Node CI OpenVMS Cluster



The advantages and disadvantages of the configuration shown in Figure 10–3 include:

#### Advantages

- All nodes have shared, direct access to all storage.
- As the nodes and storage in this configuration grow, all nodes can still have shared, direct access to storage.
- The MSCP server is enabled for failover to the LAN interconnect, in case the CI fails. Enabling the MSCP server also allows you to add satellites.
- Volume shadowed, dual-ported disks increase data availability.

#### Disadvantage

- The HSJs are potential bottlenecks.

If the I/O activity exceeds the capacity of the CI interconnect, this could lead to an OpenVMS Cluster configuration like the one shown in Figure 10–4.

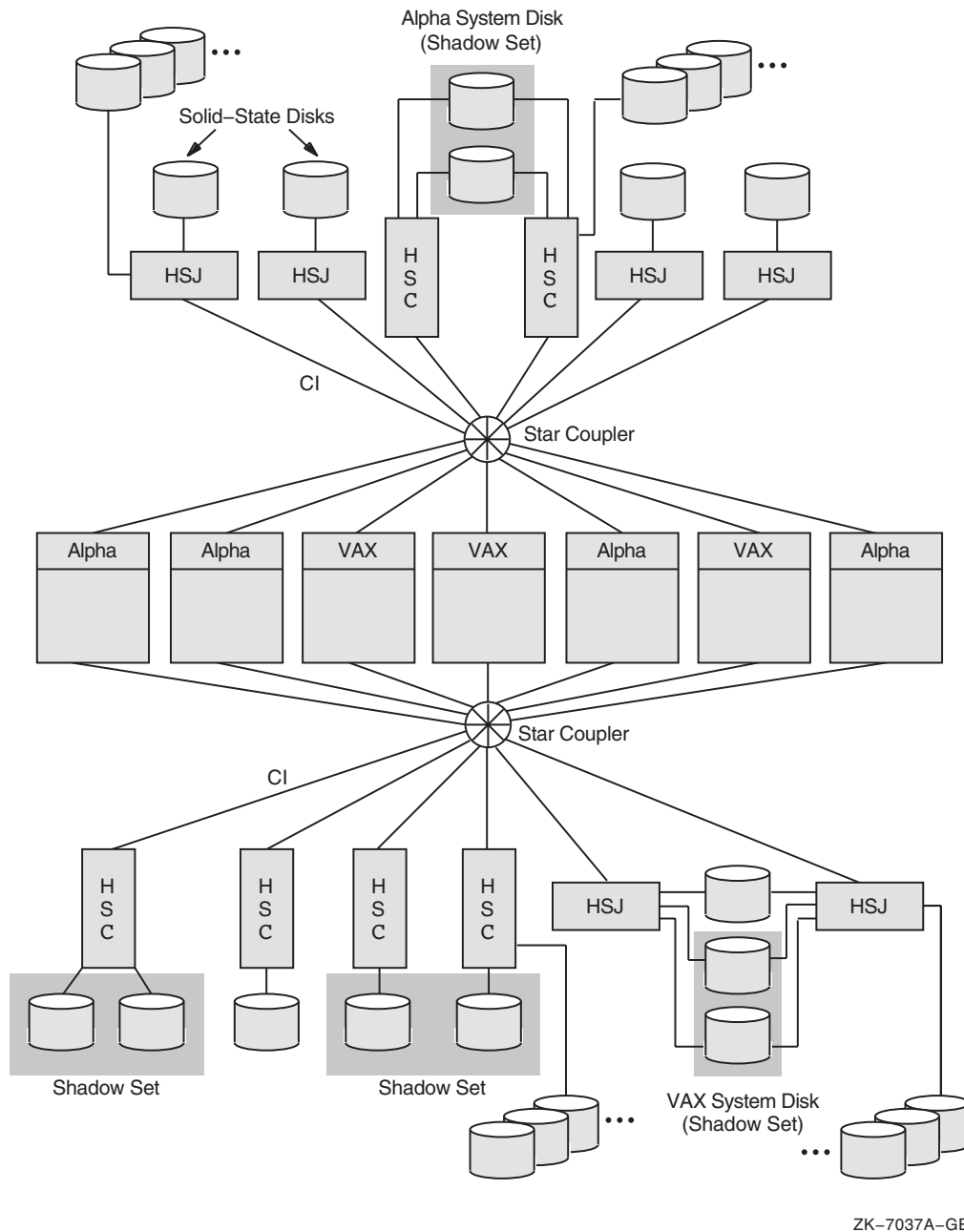
# Configuring OpenVMS Clusters for Scalability

## 10.3 Scalability in CI OpenVMS Clusters (Alpha and VAX)

### 10.3.3 Seven-Node CI OpenVMS Cluster

In Figure 10–4, seven nodes each have a direct connection to two star couplers and to all storage.

Figure 10–4 Seven-Node CI OpenVMS Cluster



The advantages and disadvantages of the configuration shown in Figure 10–4 include:

## Configuring OpenVMS Clusters for Scalability

### 10.3 Scalability in CI OpenVMS Clusters (Alpha and VAX)

#### Advantages

- All nodes have shared, direct access to all storage.
- This configuration has more than double the storage, processing, and CI interconnect capacity than a configuration like the one shown in Figure 10–3.
- Two CI interconnects between processors and storage provide twice the communication performance of one path.
- Volume shadowed, dual-ported disks increase data availability.

#### Disadvantage

- This configuration is complex and requires experienced personnel to configure, tune, and manage it properly.

#### 10.3.4 Guidelines for CI OpenVMS Clusters

The following guidelines can help you configure your CI OpenVMS Cluster:

- Every system should have shared, direct access to all storage.
- In a CI OpenVMS Cluster larger than four nodes, use a second system disk for increased system performance.

**Reference:** For more information on system disks, see Section 11.2.

- Enable your systems, interconnects, and storage to work to their full capacity by eliminating bottlenecks. If any of these components is not able to handle the I/O capacity, none of the other components will work at its best. Ensure that the sum of all the I/O on your nodes is less than or equal to your CI capacity and to your storage capacity. In calculating the sum of the I/O on your nodes, factor in 5–10% extra for lock manager internode communications.

In general, use the following rules of thumb:

- The sum of all the I/Os on your nodes plus internode communications should be less than or equal to the sum of your CI capacity.
- Your CI capacity should be less than or equal to the sum of your storage capacity.

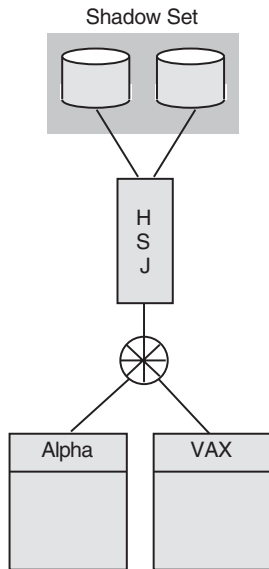
#### 10.3.5 Guidelines for Volume Shadowing in CI OpenVMS Clusters

Volume shadowing is intended to enhance availability, not performance. However, the following volume shadowing strategies enable you to utilize availability features while also maximizing I/O capacity. These examples show CI configurations, but they apply to DSSI and SCSI configurations, as well.

## Configuring OpenVMS Clusters for Scalability

### 10.3 Scalability in CI OpenVMS Clusters (Alpha and VAX)

Figure 10–5 Volume Shadowing on a Single Controller



ZK-7194A-GE

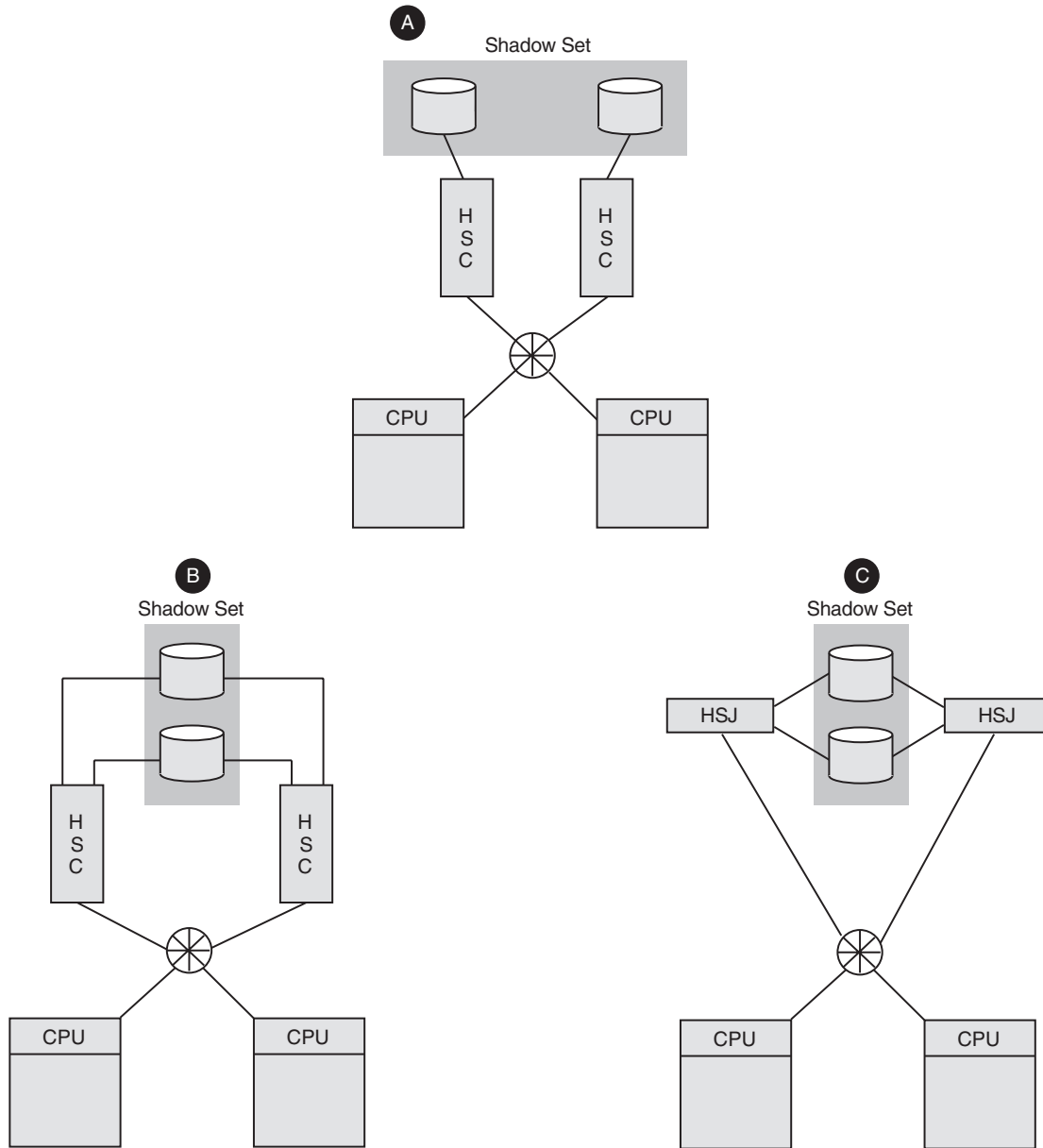
Figure 10–5 shows two nodes connected to an HSJ, with a two-member shadow set.

The disadvantage of this strategy is that the controller is a single point of failure. The configuration in Figure 10–6 shows examples of shadowing across controllers, which prevents one controller from being a single point of failure. Shadowing across HSJ and HSC controllers provides optimal scalability and availability within an OpenVMS Cluster system.

# Configuring OpenVMS Clusters for Scalability

## 10.3 Scalability in CI OpenVMS Clusters (Alpha and VAX)

Figure 10–6 Volume Shadowing Across Controllers



ZK-7193A-GE

As Figure 10–6 shows, shadowing across controllers has three variations:

- Strategy A shows each volume in the shadow set attached to separate controllers. This configuration is not optimal because each volume is not attached to each controller.
- Strategy B shows dual-ported devices that have two paths to the volumes through separate controllers. This strategy is an optimal variation because two HSC controllers have direct access to a single storage device.



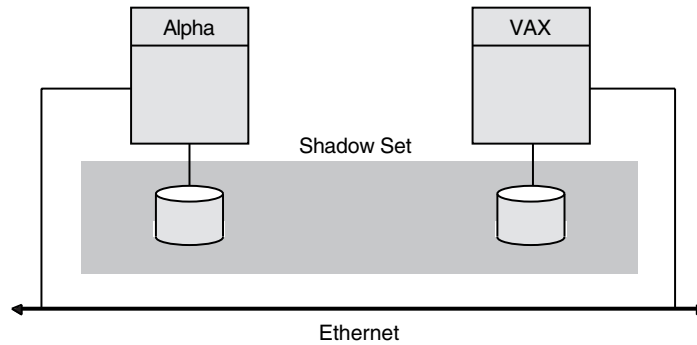
## Configuring OpenVMS Clusters for Scalability

### 10.3 Scalability in CI OpenVMS Clusters (Alpha and VAX)

- Strategy C shows HSJ controllers shadowed across SCSI buses. It also is an optimal variation because two HSJ controllers have direct access to a single storage device.

Figure 10–7 shows an example of shadowing across nodes.

**Figure 10–7 Volume Shadowing Across Nodes**



ZK-7192A-GE

As Figure 10–7 shows, shadowing across nodes provides the advantage of flexibility in distance. However, it requires MSCP server overhead for write I/Os. In addition, the failure of one of the nodes and its subsequent return to the OpenVMS Cluster will cause a copy operation.

If you have multiple volumes, shadowing inside a controller and shadowing across controllers are more effective than shadowing across nodes.

**Reference:** See *HP Volume Shadowing for OpenVMS* for more information.

## 10.4 Scalability in DSSI OpenVMS Clusters (Alpha and VAX)

Each DSSI interconnect can have up to eight nodes attached; four can be systems and the rest can be storage devices. Figure 10–8, Figure 10–9, and Figure 10–10 show a progression from a two-node DSSI OpenVMS Cluster to a four-node DSSI OpenVMS Cluster.

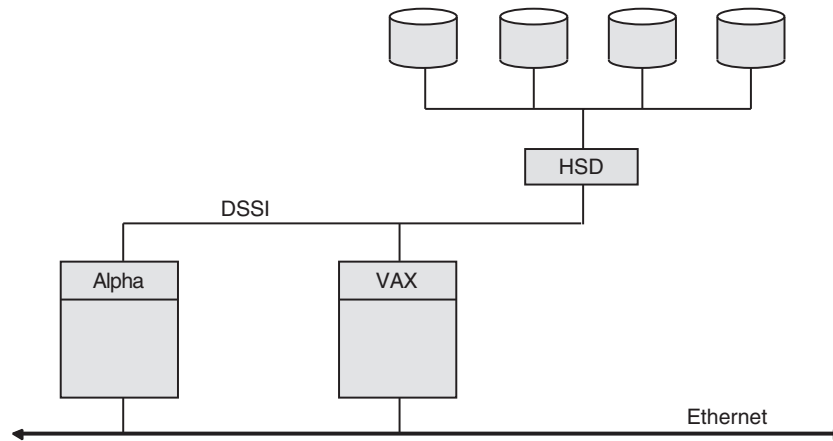
### 10.4.1 Two-Node DSSI OpenVMS Cluster

In Figure 10–8, two nodes are connected to four disks by a common DSSI interconnect.

## Configuring OpenVMS Clusters for Scalability

### 10.4 Scalability in DSSI OpenVMS Clusters (Alpha and VAX)

Figure 10–8 Two-Node DSSI OpenVMS Cluster



ZK-7021A-GE

The advantages and disadvantages of the configuration shown in Figure 10–8 include:

#### Advantages

- Both nodes have shared, direct access to all storage.
- The Ethernet LAN ensures failover capability if the DSSI interconnect fails.

#### Disadvantages

- The amount of storage that is directly accessible to all nodes is limited.
- A single DSSI interconnect can become a single point of failure.

If the OpenVMS Cluster in Figure 10–8 required more processing power, more storage, and better redundancy, this could lead to a configuration like the one shown in Figure 10–9.

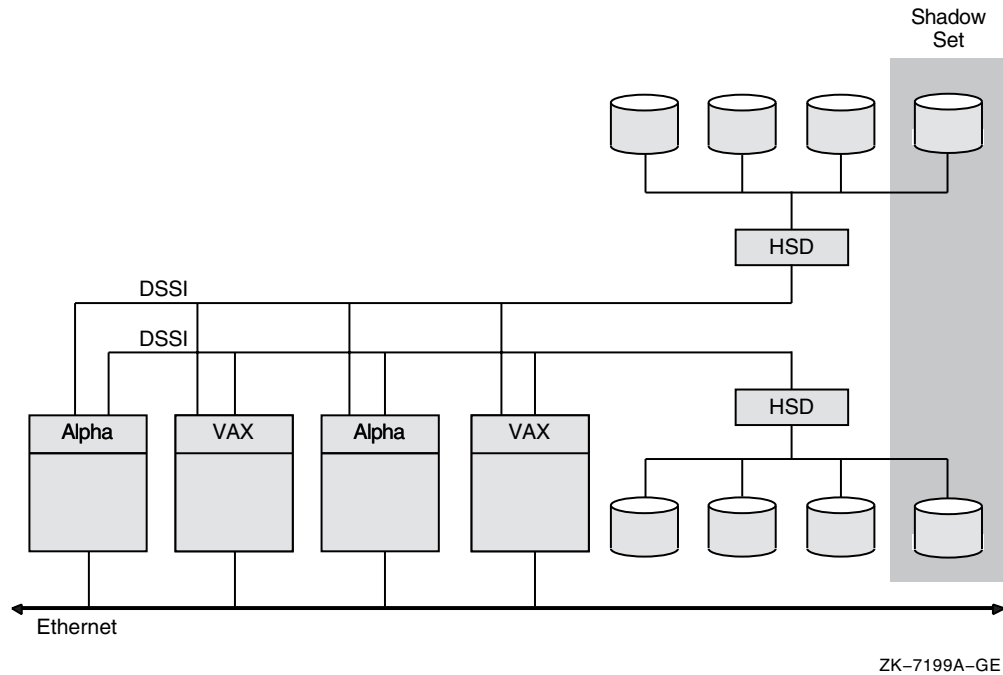
#### 10.4.2 Four-Node DSSI OpenVMS Cluster with Shared Access

In Figure 10–9, four nodes have shared, direct access to eight disks through two DSSI interconnects. Two of the disks are shadowed across DSSI interconnects.

## Configuring OpenVMS Clusters for Scalability

### 10.4 Scalability in DSSI OpenVMS Clusters (Alpha and VAX)

Figure 10–9 Four-Node DSSI OpenVMS Cluster with Shared Access



The advantages and disadvantages of the configuration shown in Figure 10–9 include:

#### Advantages

- All nodes have shared, direct access to all storage.
- The Ethernet LAN ensures failover capability if the DSSI interconnect fails.
- Shadowing across DSSI interconnects provides increased performance and availability.

#### Disadvantage

- The amount of storage that is directly accessible to all nodes is limited.

If the configuration in Figure 10–9 required more storage, this could lead to a configuration like the one shown in Figure 10–10.

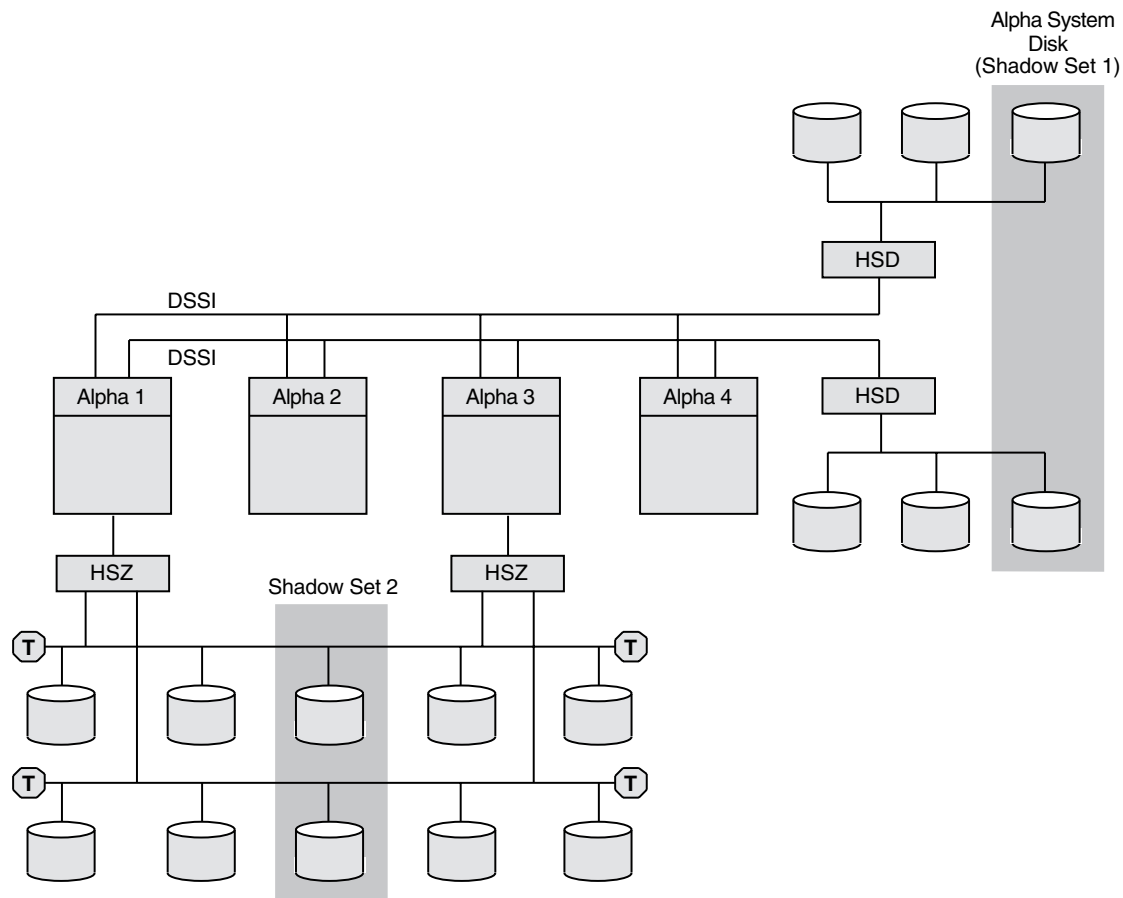
#### 10.4.3 Four-Node DSSI OpenVMS Cluster with Some Nonshared Access

Figure 10–10 shows an OpenVMS Cluster with 4 nodes and 10 disks. This model differs from Figure 10–8 and Figure 10–9 in that some of the nodes do not have shared, direct access to some of the disks, thus requiring these disks to be MSCP served. For the best performance, place your highest-priority data on disks that are directly connected by common DSSI interconnects to your nodes. Volume shadowing across common DSSI interconnects provides the highest availability and may increase read performance.

## Configuring OpenVMS Clusters for Scalability

### 10.4 Scalability in DSSI OpenVMS Clusters (Alpha and VAX)

Figure 10–10 DSSI OpenVMS Cluster with 10 Disks



ZK-7025A-GE

The advantages and disadvantages of the configuration shown in Figure 10–10 include:

#### Advantages

- All nodes have shared, direct access to most of the storage.
- The MSCP server is enabled to allow failover to the alternate DSSI interconnect if one of the DSSI interconnects fails.
- Shadowing across DSSI interconnects provides increased performance and availability.
- The SCSI storage connected through the HSZ controllers provides good performance and scalability.

#### Disadvantages

- The amount of storage that is directly accessible to all nodes is limited.
- Shadow set 2 requires MSCP serving to coordinate shadowing activity.
- Some nodes do not have direct access to storage. For example, Alpha 2 and Alpha 4 do not have direct access to disks connected to Alpha 1 and Alpha 3.

## 10.5 Scalability in MEMORY CHANNEL OpenVMS Clusters (Alpha Only)

Each MEMORY CHANNEL (MC) interconnect can have up to four nodes attached to each MEMORY CHANNEL hub. For two-hub configurations, each node must have two PCI adapters, and each adapter must be attached to a different hub. In a two-node configuration, no hub is required because one of the PCI adapters serves as a virtual hub.

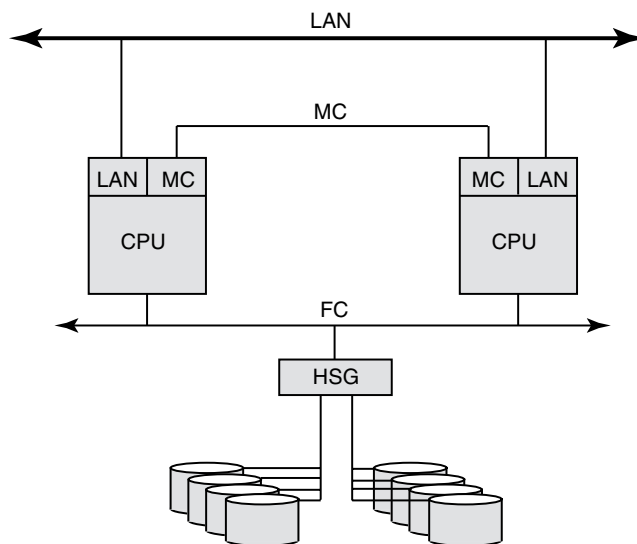
Figure 10–11, Figure 10–12, and Figure 10–13 show a progression from a two-node MEMORY CHANNEL cluster to a four-node MEMORY CHANNEL cluster.

**Reference:** For additional configuration information and a more detailed technical summary of how MEMORY CHANNEL works, see Appendix B.

### 10.5.1 Two-Node MEMORY CHANNEL Cluster

In Figure 10–11, two nodes are connected by a MEMORY CHANNEL interconnect, a LAN (Ethernet, FDDI, or ATM) interconnect, and a Fibre Channel interconnect.

Figure 10–11 Two-Node MEMORY CHANNEL OpenVMS Cluster



VM-0669A-AI

The advantages and disadvantages of the configuration shown in Figure 10–11 include:

#### Advantages

- Both nodes have shared, direct access to all storage.
- The Ethernet/FDDI/ATM interconnect enables failover if the MEMORY CHANNEL interconnect fails.
- The limit of two MEMORY CHANNEL nodes means that no hub is required; one PCI adapter serves as a virtual hub.

## Configuring OpenVMS Clusters for Scalability

### 10.5 Scalability in MEMORY CHANNEL OpenVMS Clusters (Alpha Only)

#### Disadvantages

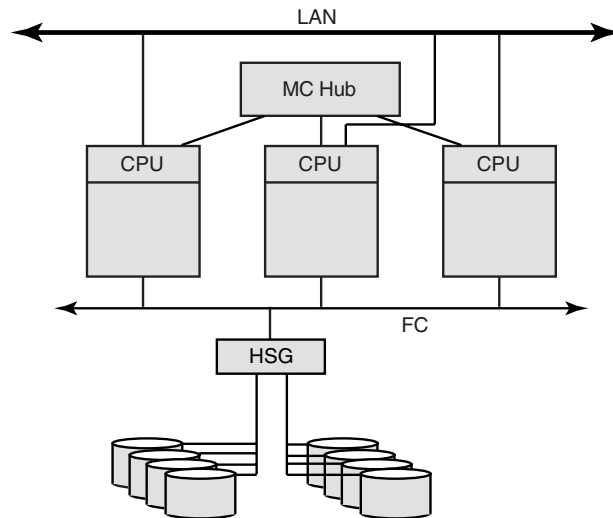
- The amount of storage that is directly accessible to all nodes is limited.
- A single SCSI interconnect or HSZ controller can become a single point of failure.

If the OpenVMS Cluster in Figure 10–11 required more processing power and better redundancy, this could lead to a configuration like the one shown in Figure 10–12.

#### 10.5.2 Three-Node MEMORY CHANNEL Cluster

In Figure 10–12, three nodes are connected by a high-speed MEMORY CHANNEL interconnect, as well as by a LAN (Ethernet, FDDI, or ATM) interconnect. These nodes also have shared, direct access to storage through the Fibre Channel interconnect.

Figure 10–12 Three-Node MEMORY CHANNEL OpenVMS Cluster



VM-0670A-AI

The advantages and disadvantages of the configuration shown in Figure 10–12 include:

#### Advantages

- All nodes have shared, direct access to storage.
- The Ethernet/FDDI/ATM interconnect enables failover if the MEMORY CHANNEL interconnect fails.
- The addition of a MEMORY CHANNEL hub increases the limit on the number of nodes to a total of four.

#### Disadvantage

- The amount of storage that is directly accessible to all nodes is limited.

If the configuration in Figure 10–12 required more storage, this could lead to a configuration like the one shown in Figure 10–13.

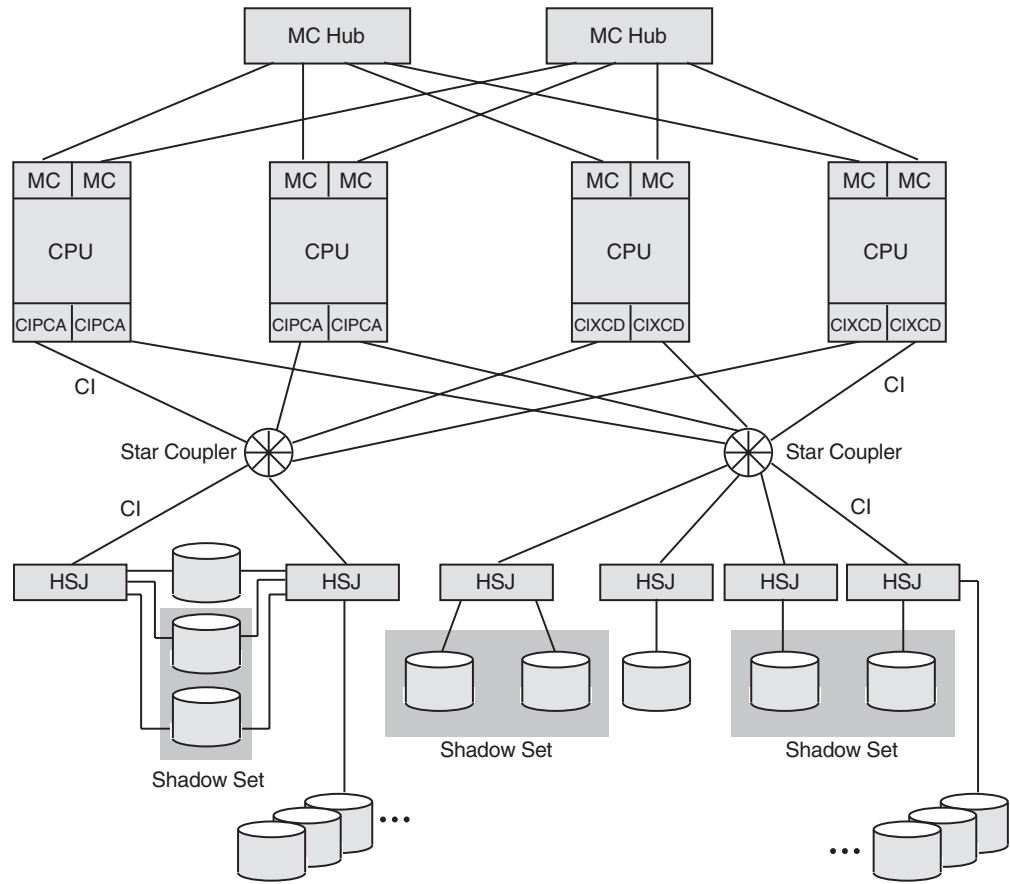
# Configuring OpenVMS Clusters for Scalability

## 10.5 Scalability in MEMORY CHANNEL OpenVMS Clusters (Alpha Only)

### 10.5.3 Four-Node MEMORY CHANNEL OpenVMS Cluster

Figure 10–13, each node is connected by a MEMORY CHANNEL interconnect as well as by a CI interconnect.

Figure 10–13 MEMORY CHANNEL Cluster with a CI Cluster



ZK-8712A-GE

The advantages and disadvantages of the configuration shown in Figure 10–13 include:

#### Advantages

- All nodes have shared, direct access to all of the storage.
- This configuration has more than double the storage and processing capacity as the one shown in Figure 10–12.
- If the MEMORY CHANNEL interconnect fails, the CI can take over internode communication.
- The CIPCA adapters on two of the nodes enable the addition of Alpha systems to a CI cluster that formerly comprised VAX (CIXCD-based) systems.
- Multiple CIs between processors and storage provide twice the performance of one path. Bandwidth further increases because MEMORY CHANNEL offloads internode traffic from the CI, enabling the CI to be devoted only to storage traffic. This improves the performance of the entire cluster.

## Configuring OpenVMS Clusters for Scalability

### 10.5 Scalability in MEMORY CHANNEL OpenVMS Clusters (Alpha Only)

- Volume shadowed, dual-ported disks increase data availability.

#### Disadvantage

- This configuration is complex and requires the care of an experienced system manager.

### 10.6 Scalability in SCSI OpenVMS Clusters (Alpha Only)

SCSI-based OpenVMS Clusters allow commodity-priced storage devices to be used directly in OpenVMS Clusters. Using a SCSI interconnect in an OpenVMS Cluster offers you variations in distance, price, and performance capacity. This SCSI clustering capability is an ideal starting point when configuring a low-end, affordable cluster solution. SCSI clusters can range from desktop to deskside to departmental and larger configurations.

Note the following general limitations when using the SCSI interconnect:

- Because the SCSI interconnect handles only storage traffic, it must always be paired with another interconnect for node-to-node traffic. In the figures shown in this section, MEMORY CHANNEL is the alternate interconnect; but CI, DSSI, Ethernet, and FDDI could also be used.
- Total SCSI cable lengths must take into account the system's internal cable length. For example, an AlphaServer 1000 rackmount uses 1.6 m of internal cable to connect the internal adapter to the external connector. Two AlphaServer 1000s joined by a 2 m SCSI cable would use 1.6 m within each system, resulting in a total SCSI bus length of 5.2 m.

**Reference:** For more information about internal SCSI cable lengths as well as highly detailed information about clustering SCSI devices, see Appendix A.

- This capability is available only for older SCSI adapters. The newest SCSI adapters, such as the KZPEA, the A6828A, the A6829A, and the A7173A, do not support this feature.

The figures in this section show a progression from a two-node SCSI configuration with modest storage to a four-node SCSI hub configuration with maximum storage and further expansion capability.

#### 10.6.1 Two-Node Fast-Wide SCSI Cluster

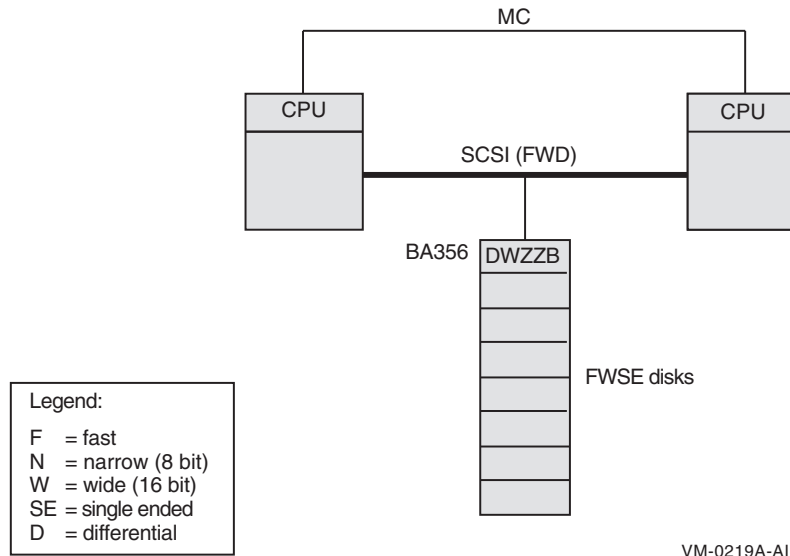
In Figure 10–14, two nodes are connected by a 25-m, fast-wide differential (FWD) SCSI bus, with MEMORY CHANNEL (or any) interconnect for internode traffic. The BA356 storage cabinet contains a power supply, a DWZZB single-ended to differential converter, and six disk drives. This configuration can have either narrow or wide disks.



# Configuring OpenVMS Clusters for Scalability

## 10.6 Scalability in SCSI OpenVMS Clusters (Alpha Only)

Figure 10–14 Two-Node Fast-Wide SCSI Cluster



The advantages and disadvantages of the configuration shown in Figure 10–14 include:

### Advantages

- Low cost SCSI storage is shared by two nodes.
- With the BA356 cabinet, you can use a narrow (8 bit) or wide (16 bit) SCSI bus.
- The DWZZB converts single-ended signals to differential.
- The fast-wide SCSI interconnect provides 20 MB/s performance.
- MEMORY CHANNEL handles internode traffic.
- The differential SCSI bus can be 25 m.

### Disadvantage

- Somewhat limited storage capability.

If the configuration in Figure 10–14 required even more storage, this could lead to a configuration like the one shown in Figure 10–15.

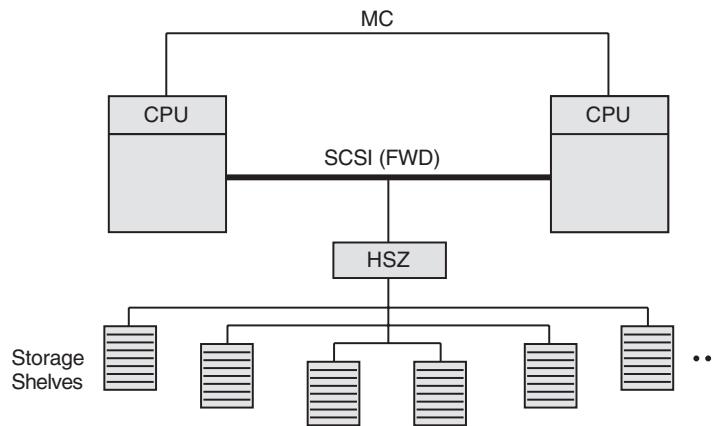
### 10.6.2 Two-Node Fast-Wide SCSI Cluster with HSZ Storage

In Figure 10–15, two nodes are connected by a 25-m, fast-wide differential (FWD) SCSI bus, with MEMORY CHANNEL (or any) interconnect for internode traffic. Multiple storage shelves are within the HSZ controller.

## Configuring OpenVMS Clusters for Scalability

### 10.6 Scalability in SCSI OpenVMS Clusters (Alpha Only)

Figure 10–15 Two-Node Fast-Wide SCSI Cluster with HSZ Storage



ZK-8878A-GE

The advantages and disadvantages of the configuration shown in Figure 10–15 include:

#### Advantages

- Costs slightly more than the configuration shown in Figure 10–14, but offers significantly more storage. (The HSZ controller enables you to add more storage.)
- Cache in the HSZ, which also provides RAID 0, 1, and 5 technologies. The HSZ is a differential device; no converter is needed.
- MEMORY CHANNEL handles internode traffic.
- The FWD bus provides 20 MB/s throughput.
- Includes a 25 m differential SCSI bus.

#### Disadvantage

- This configuration is more expensive than the one shown in Figure 10–14.

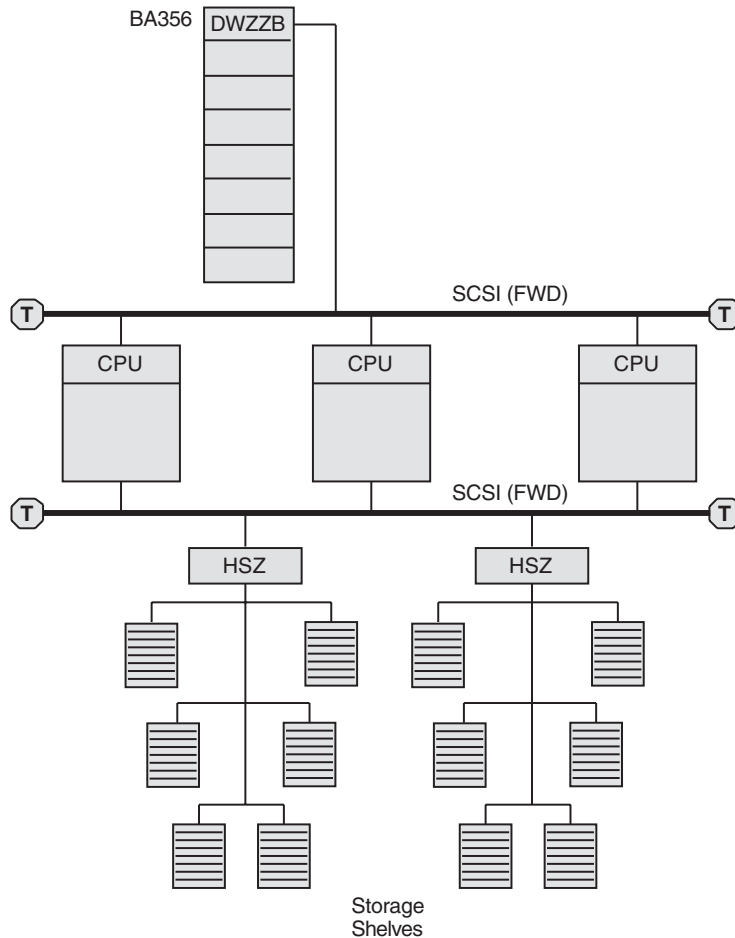
### 10.6.3 Three-Node Fast-Wide SCSI Cluster

In Figure 10–16, three nodes are connected by two 25-m, fast-wide (FWD) SCSI interconnects. Multiple storage shelves are contained in each HSZ controller, and more storage is contained in the BA356 at the top of the figure.

## Configuring OpenVMS Clusters for Scalability

### 10.6 Scalability in SCSI OpenVMS Clusters (Alpha Only)

Figure 10–16 Three-Node Fast-Wide SCSI Cluster



ZK-8987A-GE

The advantages and disadvantages of the configuration shown in Figure 10–16 include:

#### Advantages

- Combines the advantages of the configurations shown in Figure 10–14 and Figure 10–15:
  - Significant (25 m) bus distance and scalability.
  - Includes cache in the HSZ, which also provides RAID 0, 1, and 5 technologies. The HSZ contains multiple storage shelves.
  - FWD bus provides 20 MB/s throughput.
  - With the BA356 cabinet, you can use narrow (8 bit) or wide (16 bit) SCSI bus.

#### Disadvantage

- This configuration is more expensive than those shown in previous figures.

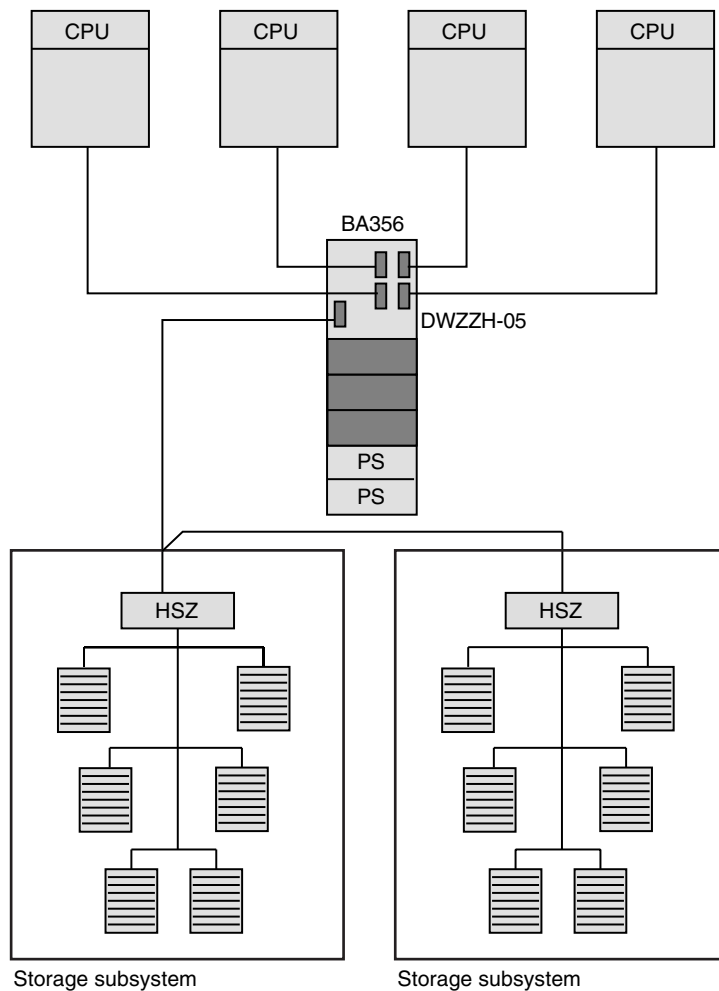
# Configuring OpenVMS Clusters for Scalability

## 10.6 Scalability in SCSI OpenVMS Clusters (Alpha Only)

### 10.6.4 Four-Node Ultra SCSI Hub Configuration

Figure 10–17 shows four nodes connected by a SCSI hub. The SCSI hub obtains power and cooling from the storage cabinet, such as the BA356. The SCSI hub does not connect to the SCSI bus of the storage cabinet.

**Figure 10–17 Four-Node Ultra SCSI Hub Configuration**



VM-0216A-AI

The advantages and disadvantages of the configuration shown in Figure 10–17 include:

#### Advantages

- Provides significantly more bus distance and scalability than the configuration shown in Figure 10–15.
- The SCSI hub provides fair arbitration on the SCSI bus. This provides more uniform, predictable system behavior. Four CPUs are allowed only when fair arbitration is enabled.
- Up to two dual HSZ controllers can be daisy-chained to the storage port of the hub.

## Configuring OpenVMS Clusters for Scalability

### 10.6 Scalability in SCSI OpenVMS Clusters (Alpha Only)

- Two power supplies in the BA356 (one for backup).
- Cache in the HSZs, which also provides RAID 0, 1, and 5 technologies.
- Ultra SCSI bus provides 40 MB/s throughput.

#### Disadvantage

- You cannot add CPUs to this configuration by daisy-chaining a SCSI interconnect from a CPU or HSZ to another CPU.
- This configuration is more expensive than those shown in Figure 10–14 and Figure 10–15.
- Only HSZ storage can be connected. You cannot attach a storage shelf with disk drives directly to the SCSI hub.

### 10.7 Scalability in OpenVMS Clusters with Satellites (Alpha, VAX, and I64)

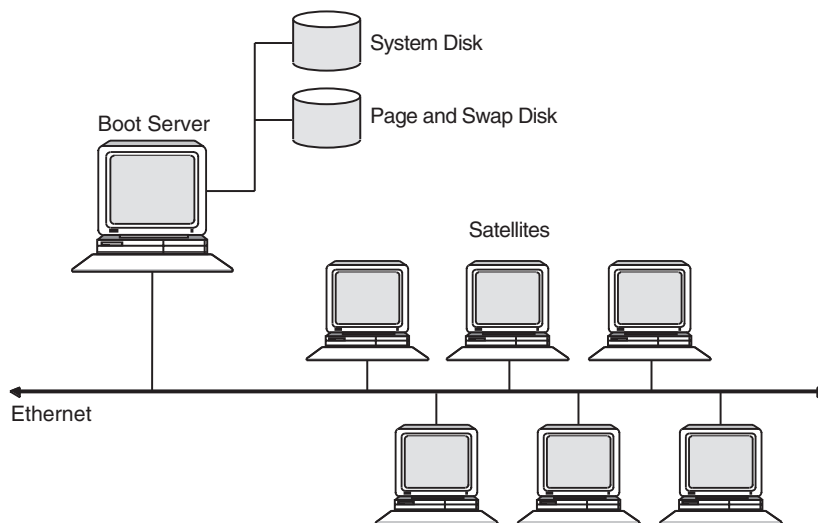
The number of satellites in an OpenVMS Cluster and the amount of storage that is MSCP served determine the need for the quantity and capacity of the servers. Satellites are systems that do not have direct access to a system disk and other OpenVMS Cluster storage. Satellites are usually workstations, but they can be any OpenVMS Cluster node that is served storage by other nodes in the OpenVMS Cluster.

Each Ethernet LAN segment should have only 10 to 20 satellite nodes attached. Figure 10–18, Figure 10–19, Figure 10–20, and Figure 10–21 show a progression from a 6-satellite LAN to a 45-satellite LAN.

#### 10.7.1 Six-Satellite OpenVMS Cluster

In Figure 10–18, six satellites and a boot server are connected by Ethernet.

Figure 10–18 Six-Satellite LAN OpenVMS Cluster



ZK-7029A-GE

## Configuring OpenVMS Clusters for Scalability

### 10.7 Scalability in OpenVMS Clusters with Satellites (Alpha, VAX, and I64)

The advantages and disadvantages of the configuration shown in Figure 10–18 include:

#### Advantages

- The MSCP server is enabled for adding satellites and allows access to more storage.
- With one system disk, system management is relatively simple.

**Reference:** For information about managing system disks, see Section 11.2.

#### Disadvantage

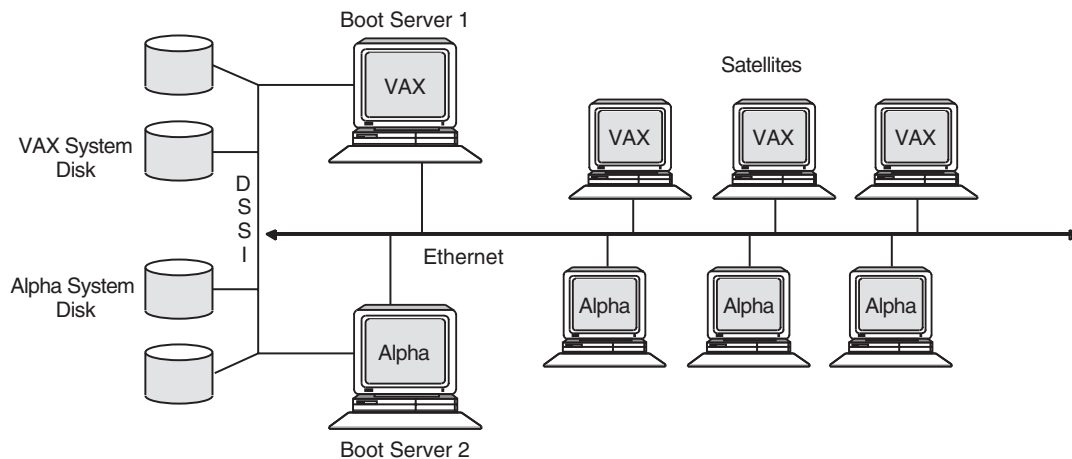
- The Ethernet is a potential bottleneck and a single point of failure.

If the boot server in Figure 10–18 became a bottleneck, a configuration like the one shown in Figure 10–19 would be required.

#### 10.7.2 Six-Satellite OpenVMS Cluster with Two Boot Nodes

Figure 10–19 shows six satellites and two boot servers connected by Ethernet. Boot server 1 and boot server 2 perform MSCP server dynamic load balancing: they arbitrate and share the work load between them and if one node stops functioning, the other takes over. MSCP dynamic load balancing requires shared access to storage.

**Figure 10–19 Six-Satellite LAN OpenVMS Cluster with Two Boot Nodes**



ZK-7030A-GE

The advantages and disadvantages of the configuration shown in Figure 10–19 include:

#### Advantages

- The MSCP server is enabled for adding satellites and allows access to more storage.
- Two boot servers perform MSCP dynamic load balancing.

#### Disadvantage

- The Ethernet is a potential bottleneck and a single point of failure.

If the LAN in Figure 10–19 became an OpenVMS Cluster bottleneck, this could lead to a configuration like the one shown in Figure 10–20.

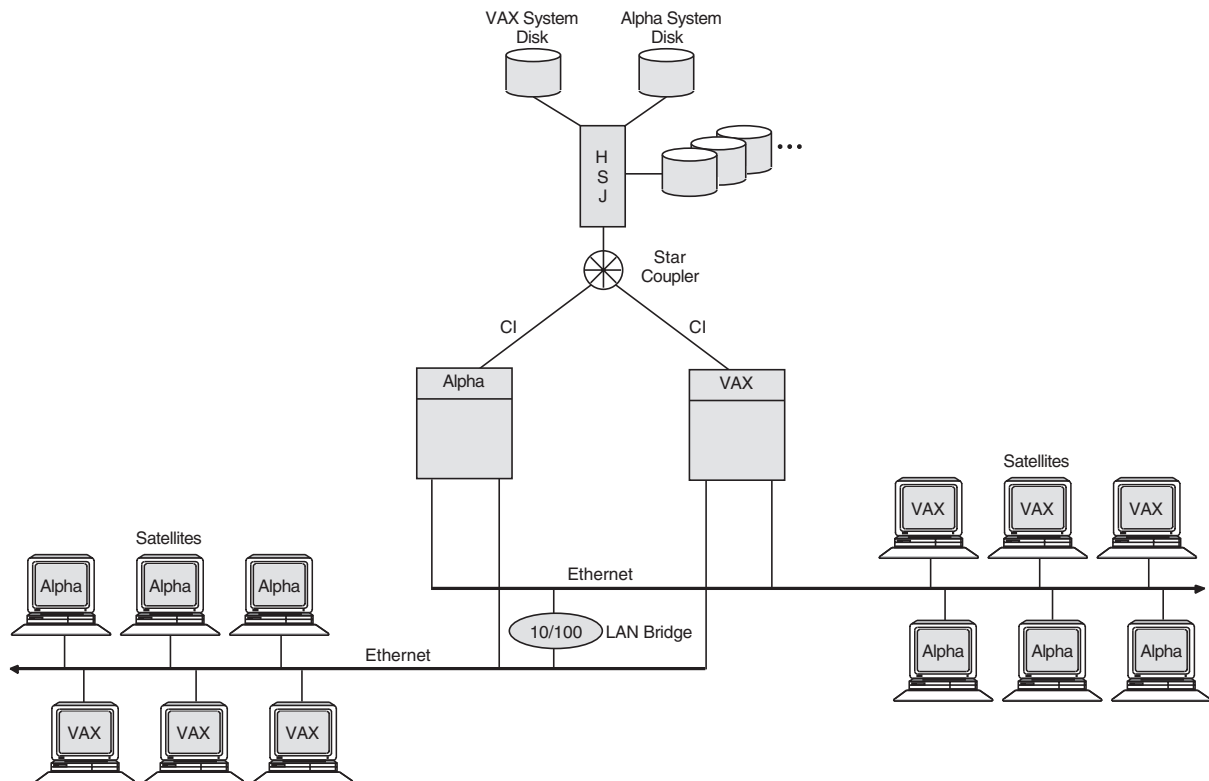
## Configuring OpenVMS Clusters for Scalability

### 10.7 Scalability in OpenVMS Clusters with Satellites (Alpha, VAX, and I64)

#### 10.7.3 Twelve-Satellite LAN OpenVMS Cluster with Two LAN Segments

Figure 10–20 shows 12 satellites and 2 boot servers connected by two Ethernet segments. These two Ethernet segments are also joined by a LAN bridge. Because each satellite has dual paths to storage, this configuration also features MSCP dynamic load balancing.

Figure 10–20 Twelve-Satellite OpenVMS Cluster with Two LAN Segments



ZK-7031A-GE

The advantages and disadvantages of the configuration shown in Figure 10–20 include:

#### Advantages

- The MSCP server is enabled for adding satellites and allows access to more storage.
- Two boot servers perform MSCP dynamic load balancing.  
From the perspective of a satellite on the Ethernet LAN, the dual paths to the Alpha and VAX nodes create the advantage of MSCP load balancing.
- Two LAN segments provide twice the amount of LAN capacity.

#### Disadvantages

- This OpenVMS Cluster configuration is limited by the number of satellites that it can support.
- The single HSJ controller is a potential bottleneck and a single point of failure.

# Configuring OpenVMS Clusters for Scalability

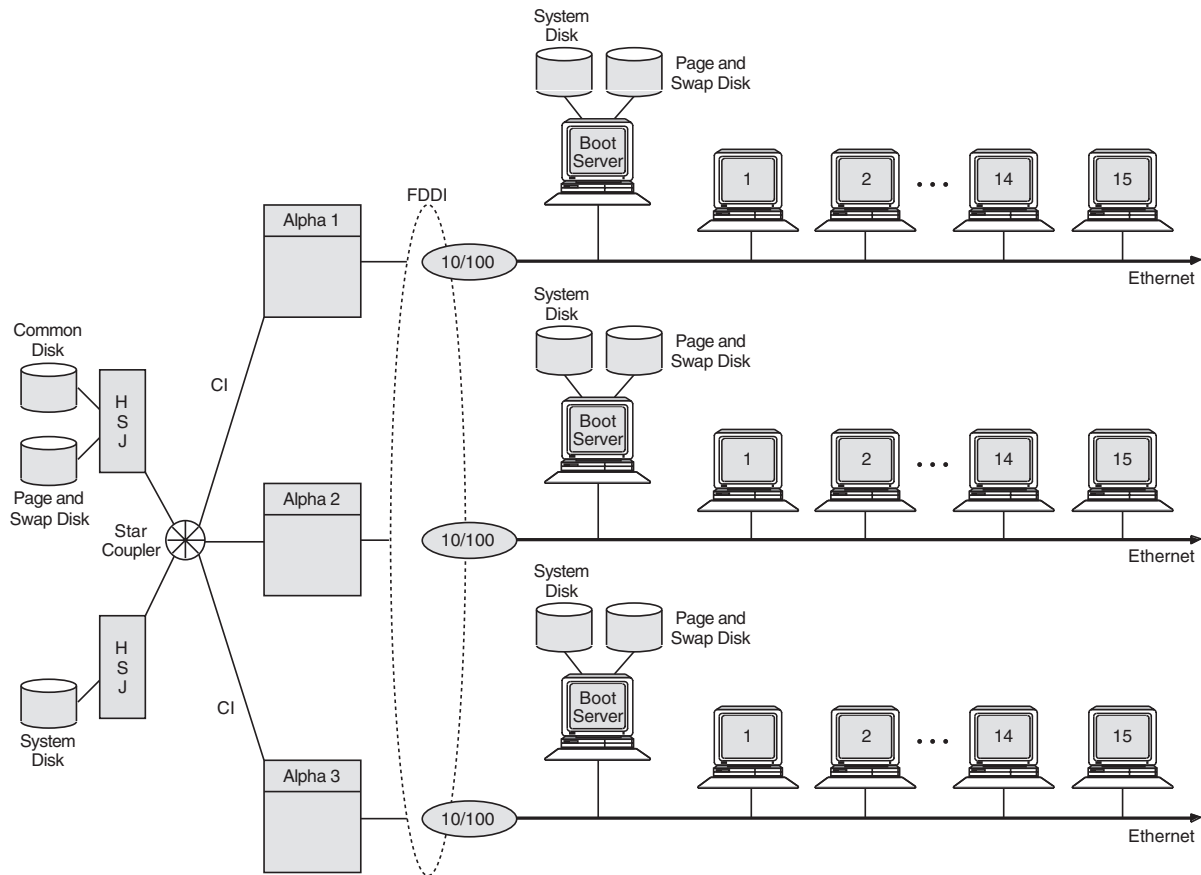
## 10.7 Scalability in OpenVMS Clusters with Satellites (Alpha, VAX, and I64)

If the OpenVMS Cluster in Figure 10–20 needed to grow beyond its current limits, this could lead to a configuration like the one shown in Figure 10–21.

### 10.7.4 Forty-Five Satellite OpenVMS Cluster with FDDI Ring

Figure 10–21 shows a large, 51-node OpenVMS Cluster that includes 45 satellite nodes. The three boot servers, Alpha 1, Alpha 2, and Alpha 3, share three disks: a common disk, a page and swap disk, and a system disk. The FDDI ring has three LAN segments attached. Each segment has 15 workstation satellites as well as its own boot node.

**Figure 10–21 Forty-Five Satellite OpenVMS Cluster with FDDI Ring**



ZK-7034A-GE

The advantages and disadvantages of the configuration shown in Figure 10–21 include:

#### Advantages

- Decreased boot time, especially for an OpenVMS Cluster with such a high node count.

**Reference:** For information about booting an OpenVMS Cluster like the one in Figure 10–21 see Section 11.2.4.

- The MSCP server is enabled for satellites to access more storage.



### 10.7 Scalability in OpenVMS Clusters with Satellites (Alpha, VAX, and I64)

- Each boot server has its own page and swap disk, which reduces I/O activity on the system disks.
- All of the environment files for the entire OpenVMS Cluster are on the common disk. This frees the satellite boot servers to serve only root information to the satellites.

**Reference:** For more information about common disks and page and swap disks, see Section 11.2.

- The FDDI ring provides 10 times the capacity of one Ethernet interconnect.

#### Disadvantages

- The satellite boot servers on the Ethernet LAN segments can boot satellites only on their own segments.
- FDDI is not supported on OpenVMS I64 systems.
- FDDI has largely been superseded by Gigabit Ethernet, which is significantly faster and less expensive.

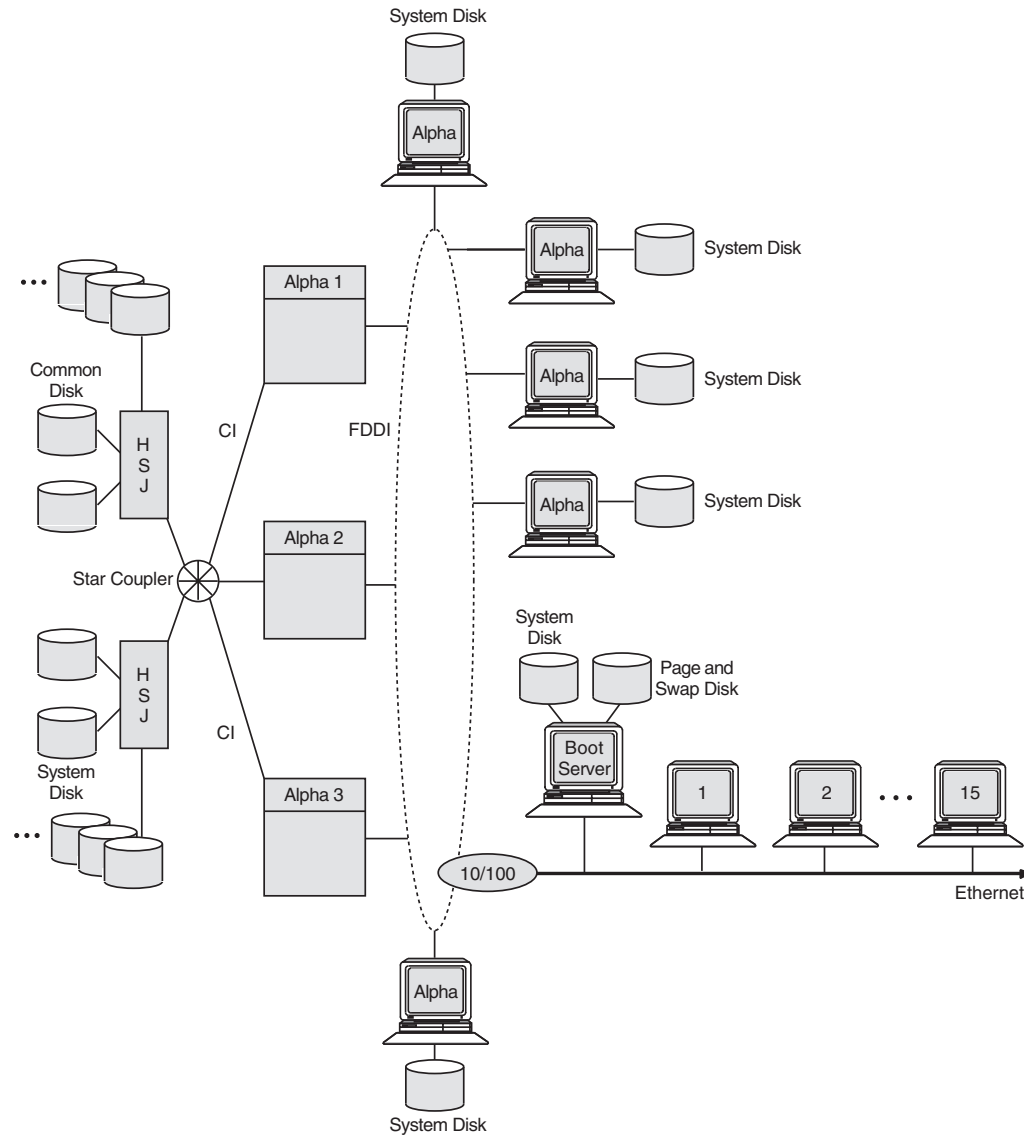
#### 10.7.5 High-Powered Workstation OpenVMS Cluster (1995 Technology)

Figure 10–22 shows an OpenVMS Cluster configuration that provides high performance and high availability on the FDDI ring.

# Configuring OpenVMS Clusters for Scalability

## 10.7 Scalability in OpenVMS Clusters with Satellites (Alpha, VAX, and I64)

Figure 10–22 High-Powered Workstation Server Configuration 1995



ZK-7198A-GE

In Figure 10–22, several Alpha workstations, each with its own system disk, are connected to the FDDI ring. Putting Alpha workstations on the FDDI provides high performance because each workstation has direct access to its system disk. In addition, the FDDI bandwidth is higher than that of the Ethernet. Because Alpha workstations have FDDI adapters, putting these workstations on an FDDI is a useful alternative for critical workstation requirements. FDDI is 10 times faster than Ethernet, and Alpha workstations have processing capacity that can take advantage of FDDI's speed. (The speed of Fast Ethernet matches that of FDDI, and Gigabit Ethernet is 10 times faster than Fast Ethernet and FDDI.)

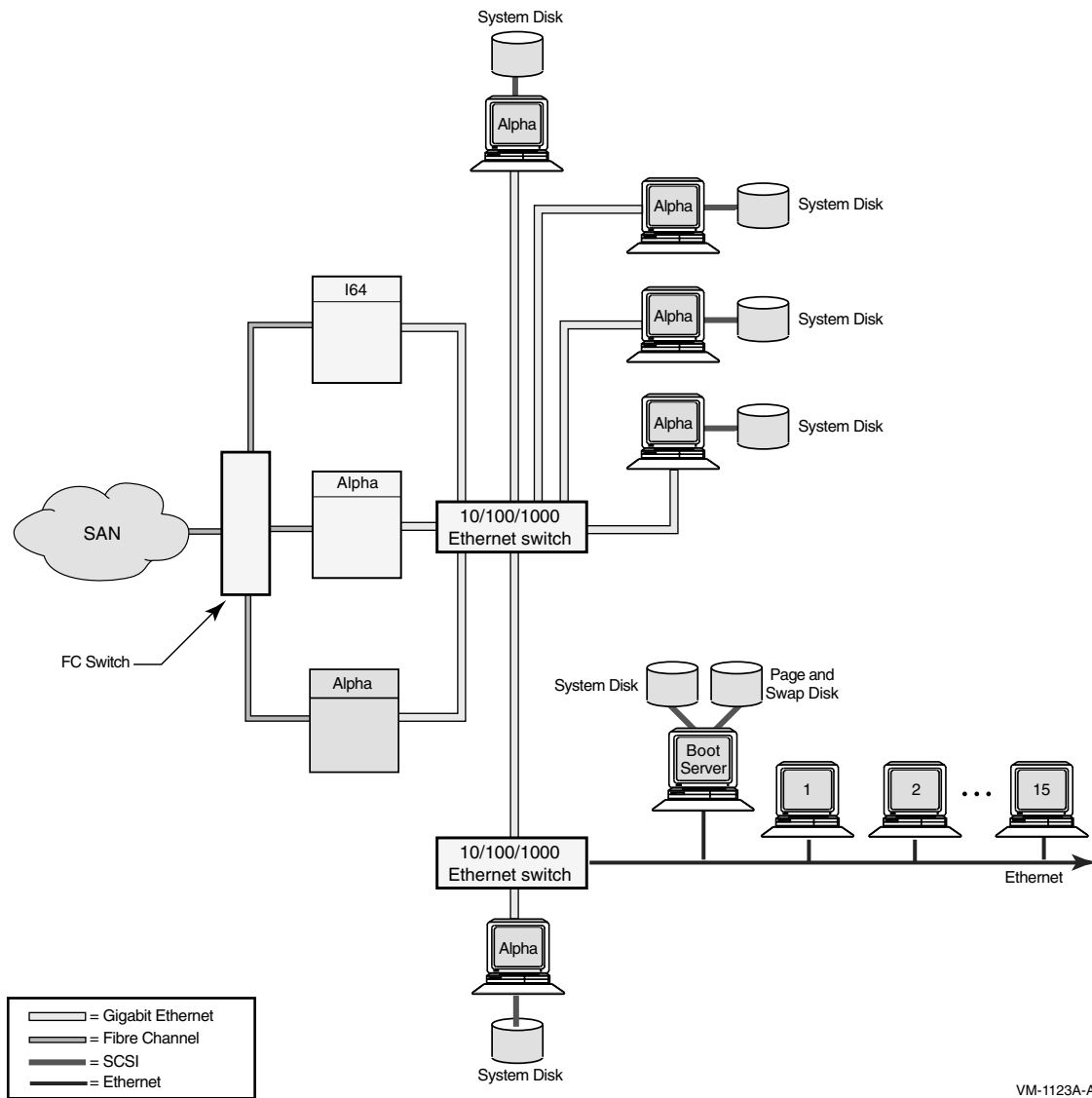
# Configuring OpenVMS Clusters for Scalability

## 10.7 Scalability in OpenVMS Clusters with Satellites (Alpha, VAX, and I64)

### 10.7.6 High-Powered Workstation OpenVMS Cluster (2004 Technology)

Figure 10–23 shows an OpenVMS Cluster configuration that provides high performance and high availability using Gigabit Ethernet for the LAN and Fibre Channel for storage.

Figure 10–23 High-Powered Workstation Server Configuration 2004



In Figure 10–23, several Alpha workstations, each with its own system disk, are connected to the Gigabit Ethernet LAN. Putting Alpha workstations on the Gigabit Ethernet LAN provides high performance because each workstation has direct access to its system disk. In addition, the Gigabit Ethernet bandwidth is 10 times higher than that of the FDDI. Alpha workstations have processing capacity that can take advantage of Gigabit Ethernet's speed.

## Configuring OpenVMS Clusters for Scalability

### 10.7 Scalability in OpenVMS Clusters with Satellites (Alpha, VAX, and I64)

#### 10.7.7 Guidelines for OpenVMS Clusters with Satellites

The following are guidelines for setting up an OpenVMS Cluster with satellites:

- Extra memory is required for satellites of large LAN configurations because each node must maintain a connection to every other node.
- Configure network to eliminate bottlenecks (that is, allocate sufficient bandwidth within the network cloud and on server connections).
- Maximize resources with MSCP dynamic load balancing, as shown in Figure 10–19 and Figure 10–20.
- Keep the number of nodes that require MSCP serving minimal for good performance.  
**Reference:** See Section 10.8.1 for more information about MSCP overhead.
- To save time, ensure that the booting sequence is efficient, particularly when the OpenVMS Cluster is large or has multiple segments. See Section 11.2.4 for more information about how to reduce LAN and system disk activity and how to boot separate groups of nodes in sequence.
- Use multiple LAN adapters per host, and connect to independent LAN paths. This enables simultaneous two-way communication between nodes and allows traffic to multiple nodes to be spread over the available LANs. In addition, multiple LAN adapters increase failover capabilities.

#### 10.7.8 Extended LAN Configuration Guidelines

You can use bridges and switches between LAN segments to form an extended LAN. This can increase availability, distance, and aggregate bandwidth as compared with a single LAN. However, an extended LAN can increase delay and can reduce bandwidth on some paths. Factors such as packet loss, queuing delays, and packet size can also affect network performance. Table 10–3 provides guidelines for ensuring adequate LAN performance when dealing with such factors.

**Table 10–3 Extended LAN Configuration Guidelines**

Factor	Guidelines
Propagation delay	<p>The amount of time it takes a packet to traverse the LAN depends on the distance it travels and the number of times it is relayed from one link to another through a switch or bridge. If responsiveness is critical, then you must control these factors.</p> <p>When an FDDI is used for OpenVMS Cluster communications, the ring latency when the FDDI ring is idle should not exceed 400 ms. FDDI packets travel at 5.085 microseconds/km and each station causes an approximate 1-ms delay between receiving and transmitting. You can calculate FDDI latency by using the following algorithm:</p> $\text{Latency} = (\text{distance in km}) * (5.085 \text{ ms/km}) + (\text{number of stations}) * (1 \text{ ms/station})$ <p>For high-performance applications, limit the number of switches between nodes to two. For situations in which high performance is not required, you can use up to seven switches or bridges between nodes.</p>

(continued on next page)

## Configuring OpenVMS Clusters for Scalability

### 10.7 Scalability in OpenVMS Clusters with Satellites (Alpha, VAX, and I64)

**Table 10–3 (Cont.) Extended LAN Configuration Guidelines**

Factor	Guidelines
Queuing delay	<p>Queuing occurs when the instantaneous arrival rate at switches or bridges and host adapters exceeds the service rate. You can control queuing by:</p> <ul style="list-style-type: none"> <li>• Reducing the number of switches or bridges between nodes that communicate frequently.</li> <li>• Using only high-performance switches or bridges and adapters.</li> <li>• Reducing traffic bursts in the LAN. In some cases, for example, you can tune applications by combining small I/Os so that a single packet is produced rather than a burst of small ones.</li> <li>• Reducing LAN segment and host processor utilization levels by using faster processors and faster LANs, and by using switches or bridges for traffic isolation.</li> </ul>
Packet loss	<p>Packets that are not delivered by the LAN require retransmission, which wastes network resources, increases delay, and reduces bandwidth. Bridges and adapters discard packets when they become congested. You can reduce packet loss by controlling queuing, as previously described.</p> <p>Packets are also discarded when they become damaged in transit. You can control this problem by observing LAN hardware configuration rules, removing sources of electrical interference, and ensuring that all hardware is operating correctly.</p> <p>Packet loss can also be reduced by using VMS Version 5.5–2 or later, which has PEDRIVER congestion control.</p> <p>The retransmission timeout rate, which is a symptom of packet loss, must be less than 1 timeout in 1000 transmissions for OpenVMS Cluster traffic from one node to another. LAN paths that are used for high-performance applications should have a significantly lower rate. Monitor the occurrence of retransmission timeouts in the OpenVMS Cluster.</p> <p><b>Reference:</b> For information about monitoring the occurrence of retransmission timeouts, see <i>HP OpenVMS Cluster Systems</i>.</p>
Switch or bridge recovery delay	<p>Choose switches or bridges with fast self-test time and adjust them for fast automatic reconfiguration. This includes adjusting spanning tree parameters to match network requirements.</p> <p><b>Reference:</b> Refer to <i>HP OpenVMS Cluster Systems</i> for more information about LAN bridge failover.</p>
Bandwidth	<p>All LAN paths used for OpenVMS Cluster communication must operate with a nominal bandwidth of at least 10 Mb/s. The average LAN segment utilization should not exceed 60% for any 10-second interval.</p> <p>For FDDI configurations, use FDDI exclusively on the communication paths that have the highest performance requirements. Do not put an Ethernet LAN segment between two FDDI segments. FDDI bandwidth is significantly greater, and the Ethernet LAN will become a bottleneck. This strategy is especially ineffective if a server on one FDDI must serve clients on another FDDI with an Ethernet LAN between them. A more appropriate strategy is to put a server on an FDDI and put clients on an Ethernet LAN, as Figure 10–21 shows.</p> <p>For Gigabit Ethernet configurations, enable jumbo frames where possible.</p>

(continued on next page)

## Configuring OpenVMS Clusters for Scalability

### 10.7 Scalability in OpenVMS Clusters with Satellites (Alpha, VAX, and I64)

**Table 10–3 (Cont.) Extended LAN Configuration Guidelines**

Factor	Guidelines
Traffic isolation	<p>Use switches or bridges to isolate and localize the traffic between nodes that communicate with each other frequently. For example, use switches or bridges to separate the OpenVMS Cluster from the rest of the LAN and to separate nodes within an OpenVMS Cluster that communicate frequently from the rest of the OpenVMS Cluster.</p> <p>Provide independent paths through the LAN between critical systems that have multiple adapters.</p>
Packet size	<p>You can adjust the NISCS_MAX_PKT SZ system parameter to use the full FDDI packet size. Ensure that the LAN path supports a data field of at least 4474 bytes end to end.</p> <p>Some failures cause traffic to switch from an LAN path that supports a large packet size to a path that supports only smaller packets. It is possible to implement automatic detection and recovery from these kinds of failures. This capability requires that the ELAN set the value of the priority field in the FDDI frame-control byte to zero when the packet is delivered on the destination FDDI link. Ethernet-to-FDDI bridges that conform to the IEEE 802.1 bridge specification provide this capability.</p>

#### 10.7.9 System Parameters for OpenVMS Clusters

In an OpenVMS Cluster with satellites and servers, specific system parameters can help you manage your OpenVMS Cluster more efficiently. Table 10–4 gives suggested values for these system parameters.

**Table 10–4 OpenVMS Cluster System Parameters**

System Parameter	Value for Satellites	Value for Servers
LOCKDIRWT	0	1-4. The setting of LOCKDIRWT influences a node's willingness to serve as a resource directory node and also may be used to determine mastership of resource trees. In general, a setting greater than 1 is determined after careful examination of a cluster node's specific workload and application mix and is beyond the scope of this document.
SHADOW_MAX_COPY	0	4, where a significantly higher setting may be appropriate for your environment
MSCP_LOAD	0	1
NPAGEDYN	Higher than for standalone node	Higher than for satellite node
PAGEDYN	Higher than for standalone node	Higher than for satellite node
VOTES	0	1
EXPECTED_VOTES	Sum of OpenVMS Cluster votes	Sum of OpenVMS Cluster votes
RECNXINTERVL <sup>1</sup>	Equal on all nodes	Equal on all nodes

<sup>1</sup>Correlate with bridge timers and LAN utilization.

**Reference:** For more information about these parameters, see *HP OpenVMS Cluster Systems* and *HP Volume Shadowing for OpenVMS*.

## 10.8 Scaling for I/Os

The ability to scale I/Os is an important factor in the growth of your OpenVMS Cluster. Adding more components to your OpenVMS Cluster requires high I/O throughput so that additional components do not create bottlenecks and decrease the performance of the entire OpenVMS Cluster. Many factors can affect I/O throughput:

- Direct access or MSCP served access to storage
- Settings of the MSCP\_BUFFER and MSCP\_CREDITS system parameters
- File system technologies, such as Files-11
- Disk technologies, such as magnetic disks, solid-state disks, and DECram
- Read/write ratio
- I/O size
- Caches and cache “hit” rate
- “Hot file” management
- RAID striping and host-based striping
- Volume shadowing

These factors can affect I/O scalability either singly or in combination. The following sections explain these factors and suggest ways to maximize I/O throughput and scalability without having to change in your application.

Additional factors that affect I/O throughput are types of interconnects and types of storage subsystems.

**Reference:** For more information about interconnects, see Chapter 4. For more information about types of storage subsystems, see Chapter 5. For more information about MSCP\_BUFFER and MSCP\_CREDITS, see *HP OpenVMS Cluster Systems*.

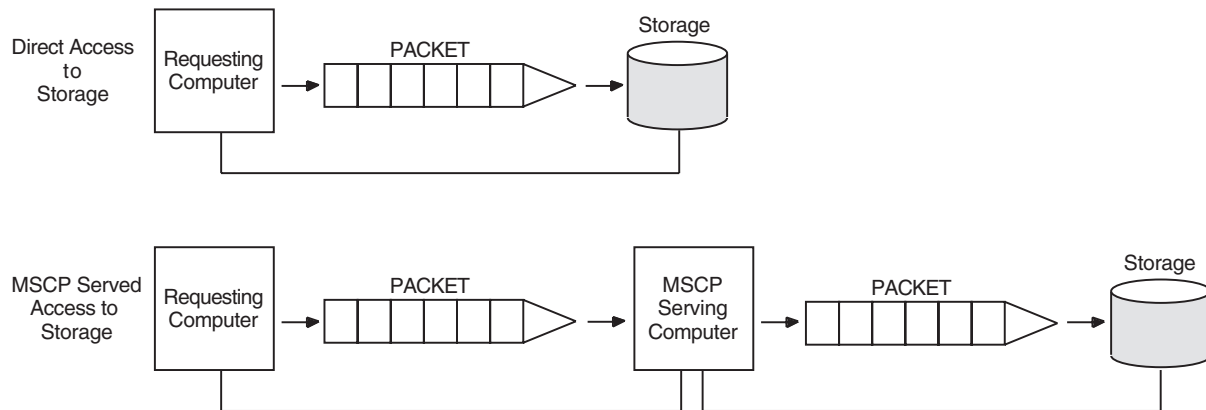
### 10.8.1 MSCP Served Access to Storage

MSCP server capability provides a major benefit to OpenVMS Clusters: it enables communication between nodes and storage that are not directly connected to each other. However, MSCP served I/O does incur overhead. Figure 10–24 is a simplification of how packets require extra handling by the serving system.

# Configuring OpenVMS Clusters for Scalability

## 10.8 Scaling for I/Os

Figure 10–24 Comparison of Direct and MSCP Served Access



ZK-7032A-GE

In Figure 10–24, an MSCP served packet requires an extra “stop” at another system before reaching its destination. When the MSCP served packet reaches the system associated with the target storage, the packet is handled as if for direct access.

In an OpenVMS Cluster that requires a large amount of MSCP serving, I/O performance is not as efficient and scalability is decreased. The total I/O throughput is approximately 20% less when I/O is MSCP served than when it has direct access. Design your configuration so that a few large nodes are serving many satellites rather than satellites serving their local storage to the entire OpenVMS Cluster.

### 10.8.2 Disk Technologies

In recent years, the ability of CPUs to process information has far outstripped the ability of I/O subsystems to feed processors with data. The result is an increasing percentage of processor time spent waiting for I/O operations to complete.

Solid-state disks (SSDs), DECram, and RAID level 0 bridge this gap between processing speed and magnetic-disk access speed. Performance of magnetic disks is limited by seek and rotational latencies, while SSDs and DECram use memory, which provides nearly instant access.

RAID level 0 is the technique of spreading (or “striping”) a single file across several disk volumes. The objective is to reduce or eliminate a bottleneck at a single disk by partitioning heavily accessed files into stripe sets and storing them on multiple devices. This technique increases parallelism across many disks for a single I/O.

Table 10–5 summarizes disk technologies and their features.



**Table 10–5 Disk Technology Summary**

Disk Technology	Characteristics
Magnetic disk	Slowest access time. Inexpensive. Available on multiple interconnects.
Solid-state disk	Fastest access of any I/O subsystem device. Highest throughput for write-intensive files. Available on multiple interconnects.
DECram	Highest throughput for small to medium I/O requests. Volatile storage; appropriate for temporary read-only files. Available on any Alpha or VAX system.
RAID level 0	Available on HSD, HSJ, and HSG controllers.

**Note:** Shared, direct access to a solid-state disk or to DECram is the fastest alternative for scaling I/Os.

### 10.8.3 Read/Write Ratio

The read/write ratio of your applications is a key factor in scaling I/O to shadow sets. MSCP writes to a shadow set are duplicated on the interconnect.

Therefore, an application that has 100% (100/0) read activity may benefit from volume shadowing because shadowing causes multiple paths to be used for the I/O activity. An application with a 50/50 ratio will cause more interconnect utilization because write activity requires that an I/O be sent to each shadow member. Delays may be caused by the time required to complete the slowest I/O.

To determine I/O read/write ratios, use the DCL command MONITOR IO.

### 10.8.4 I/O Size

Each I/O packet incurs processor and memory overhead, so grouping I/Os together in one packet decreases overhead for all I/O activity. You can achieve higher throughput if your application is designed to use bigger packets. Smaller packets incur greater overhead.

### 10.8.5 Caches

Caching is the technique of storing recently or frequently used data in an area where it can be accessed more easily—in memory, in a controller, or in a disk. Caching complements solid-state disks, DECram, and RAID. Applications automatically benefit from the advantages of caching without any special coding. Caching reduces current and potential I/O bottlenecks within OpenVMS Cluster systems by reducing the number of I/Os between components.

Table 10–6 describes the three types of caching.

**Table 10–6 Types of Caching**

Caching Type	Description
Host based	Cache that is resident in the host system's memory and services I/Os from the host.
Controller based	Cache that is resident in the storage controller and services data for all hosts.
Disk	Cache that is resident in a disk.

## Configuring OpenVMS Clusters for Scalability

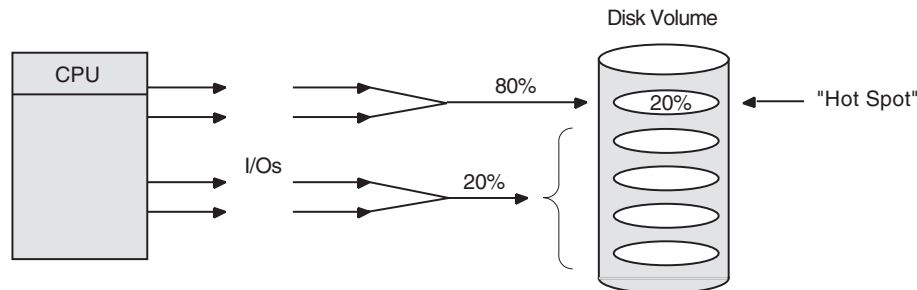
### 10.8 Scaling for I/Os

Host-based disk caching provides different benefits from controller-based and disk-based caching. In host-based disk caching, the cache itself is not shareable among nodes. Controller-based and disk-based caching are shareable because they are located in the controller or disk, either of which is shareable.

#### 10.8.6 Managing “Hot” Files

A “hot” file is a file in your system on which the most activity occurs. Hot files exist because, in many environments, approximately 80% of all I/O goes to 20% of data. This means that, of equal regions on a disk drive, 80% of the data being transferred goes to one place on a disk, as shown in Figure 10–25.

Figure 10–25 Hot-File Distribution



ZK-7033A-GE

To increase the scalability of I/Os, focus on hot files, which can become a bottleneck if you do not manage them well. The activity in this area is expressed in I/Os, megabytes transferred, and queue depth.

RAID level 0 balances hot-file activity by spreading a single file over multiple disks. This reduces the performance impact of hot files.

Use the following DCL commands to analyze hot-file activity:

- MONITOR IO command—Monitors hot disks.
- MONITOR MSCP command—Monitors MSCP servers.

The MONITOR IO and the MONITOR MSCP commands enable you to find out which disk and which server are hot.

#### 10.8.7 Volume Shadowing

The Volume Shadowing for OpenVMS product ensures that data is available to applications and end users by duplicating data on multiple disks. Although volume shadowing provides data redundancy and high availability, it can affect OpenVMS Cluster I/O on two levels:

## Configuring OpenVMS Clusters for Scalability

### 10.8 Scaling for I/Os

Factor	Effect
Geographic distance	Host-based volume shadowing enables shadowing of any devices in an OpenVMS Cluster system, including those served by MSCP servers. This ability can allow great distances along with MSCP overhead. For example, OpenVMS Cluster systems using FDDI can be located up to 25 miles (40 kilometers) apart. Using Fibre Channel, they can be located up to 62 miles (100 kilometers) apart. Both the distance and the MSCP involvement can slow I/O throughput.
Read/write ratio	Because shadowing writes data to multiple volumes, applications that are write intensive may experience reduced throughput. In contrast, read-intensive applications may experience increased throughput because the shadowing software selects one disk member from which it can retrieve the data most efficiently.



---

# OpenVMS Cluster System Management Strategies

This chapter suggests some key system management strategies that you can use to get the most out of your OpenVMS Cluster. It is not intended to be a comprehensive discussion of the most common OpenVMS Cluster system management practices; see *HP OpenVMS Cluster Systems* for that information.

This chapter also assumes that the reader has some familiarity with basic system management concepts, such as system disks, quorum disks, and OpenVMS Cluster transitions.

The following information is contained in this chapter:

- System disk strategies
- Common and multiple environment strategies
- Quorum strategies
- State transition strategies
- Multiple OpenVMS versions in the same OpenVMS Cluster
- Multiple platforms (Alpha, VAX, and I64 systems in the same OpenVMS Cluster)

## 11.1 Simple and Complex Configurations

OpenVMS Cluster software makes a system manager's job easier because many system management tasks need to be done only once. This is especially true if business requirements call for a simple configuration rather than for every feature that an OpenVMS Cluster can provide. The simple configuration is appealing to both new and experienced system managers and is applicable to small OpenVMS Clusters—those with 3 to 7 nodes, 20 to 30 users, and 100 GB of storage.

**Reference:** See Figure 11–1 for an example of a simple OpenVMS Cluster configuration.

More complex OpenVMS Cluster configurations may require a more sophisticated system management strategy to deliver more availability, scalability, and performance.

**Reference:** See Figure 11–3 for an example of a complex OpenVMS Cluster configuration.

Choose system management strategies that balance simplicity of system management with the additional management tasks required by more complex OpenVMS Clusters.

## OpenVMS Cluster System Management Strategies

### 11.2 System Disk Strategies

#### 11.2 System Disk Strategies

System disks contain system files and environment files.

System files are primarily read-only images and command procedures, such as run-time libraries, and are accessed clusterwide.

Environment files create specific working environments for users. You can create a common environment by making all environment files accessible clusterwide, or you can create multiple environments by making specific environment files accessible to only certain users or systems.

##### 11.2.1 Single System Disk

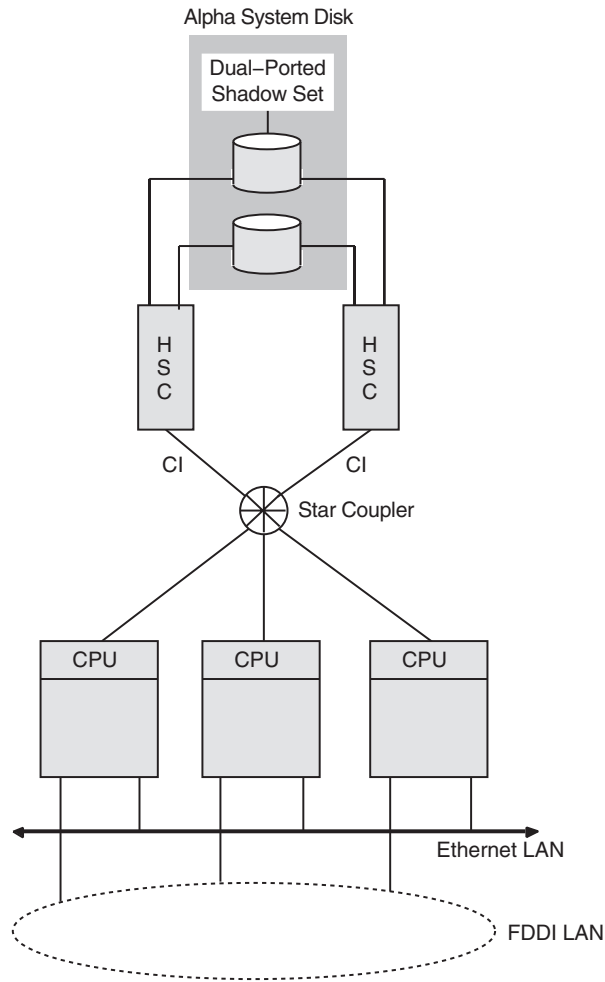
System management is easiest for a simple configuration that has a single system disk and a common environment. Most procedures need to be performed only once, and both system files and environment files are located on the same disk. Page and swap files are also located on the system disk.

Figure 11–1 shows an example of a simple OpenVMS Cluster with a single system disk and a common environment.

# OpenVMS Cluster System Management Strategies

## 11.2 System Disk Strategies

Figure 11–1 Common Environment with a Single System Disk



ZK-7196A-GE

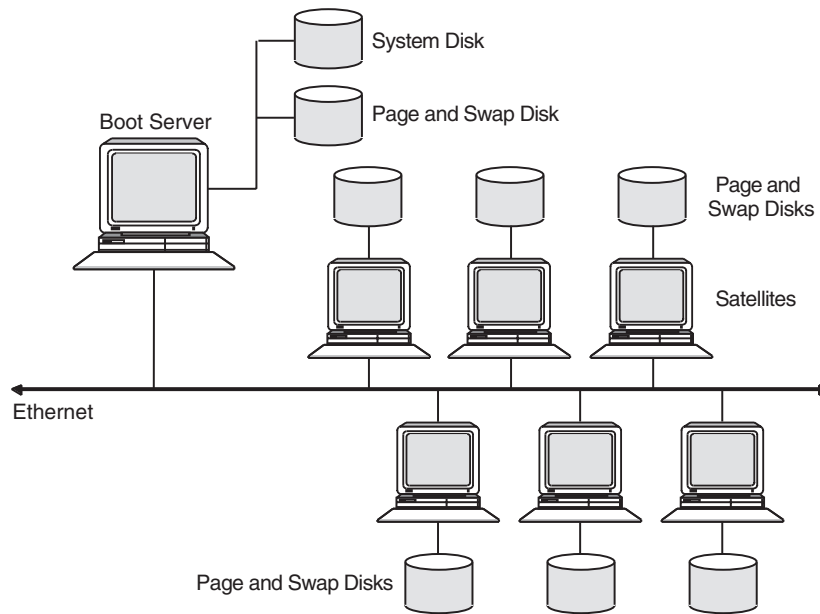
In Figure 11–1, a simple CI OpenVMS Cluster contains a single, shadowed system disk. This system disk contains system files, environment files, and page and swap files. Because there is one set of environment files, this is a common environment.

Figure 11–2 shows another variation of a simple OpenVMS Cluster with a common environment.

# OpenVMS Cluster System Management Strategies

## 11.2 System Disk Strategies

Figure 11–2 Simple LAN OpenVMS Cluster with a Single System Disk



ZK-7197A-GE

In Figure 11–2, six satellites and one boot server are connected by Ethernet. Each satellite has its own page and swap disk, which saves system disk space and removes the I/O activity of page and swap files from the Ethernet. Removing page and swap files from the system disk improves performance for the OpenVMS Cluster.

Although the single-system-disk configuration works well for many OpenVMS Cluster requirements, multiple system disks can offer several advantages.

### 11.2.2 Multiple System Disks

OpenVMS Clusters that include both Alpha and VAX systems require multiple system disks: a VAX system disk and an Alpha system disk. Table 11–1 gives some additional reasons (not related to architecture) why a system manager might want more than one system disk in a OpenVMS Cluster.



# OpenVMS Cluster System Management Strategies

## 11.2 System Disk Strategies

**Table 11–1 Advantages of Multiple System Disks**

Advantage	Description
Decreased boot times	<p>A single system disk can be a bottleneck when booting three or more systems simultaneously.</p> <p>Boot times are highly dependent on:</p> <ul style="list-style-type: none"><li>• LAN utilization</li><li>• Speed of the system disk</li><li>• Number of disks mounted</li><li>• Number of applications installed</li><li>• Proximity of boot node to satellites</li><li>• Boot node's processing power</li><li>• Whether environment files are on the system disk</li><li>• Whether the system disk is shadowed</li></ul> <p>Volume Shadowing for OpenVMS software can help disk read performance, assuming that environment files that experience high write activity (such as SYSUAF.DAT) are not on the system disk.</p>
Increased system and application performance	<p>If your OpenVMS Cluster has many different applications that are in constant use, it may be advantageous to have either a local system disk for every node or a system disk that serves fewer systems. The benefits are shorter image-activation times and fewer files being served over the LAN.</p> <p>Alpha workstations benefit from a local system disk because the powerful Alpha processor does not have to wait as long for system disk access.</p> <p><b>Reference:</b> See Section 10.7.5 for more information.</p>
Reduced LAN utilization	<p>More system disks reduce LAN utilization because fewer files are served over the LAN. Isolating LAN segments and their boot servers from unnecessary traffic outside the segments decreases LAN path contention.</p> <p><b>Reference:</b> See Section 11.2.4 for more information.</p>
Increased OpenVMS Cluster availability	<p>A single system disk can become a single point of failure. Increasing the number of boot servers and system disks increases availability by reducing the OpenVMS Cluster's dependency on a single resource.</p>

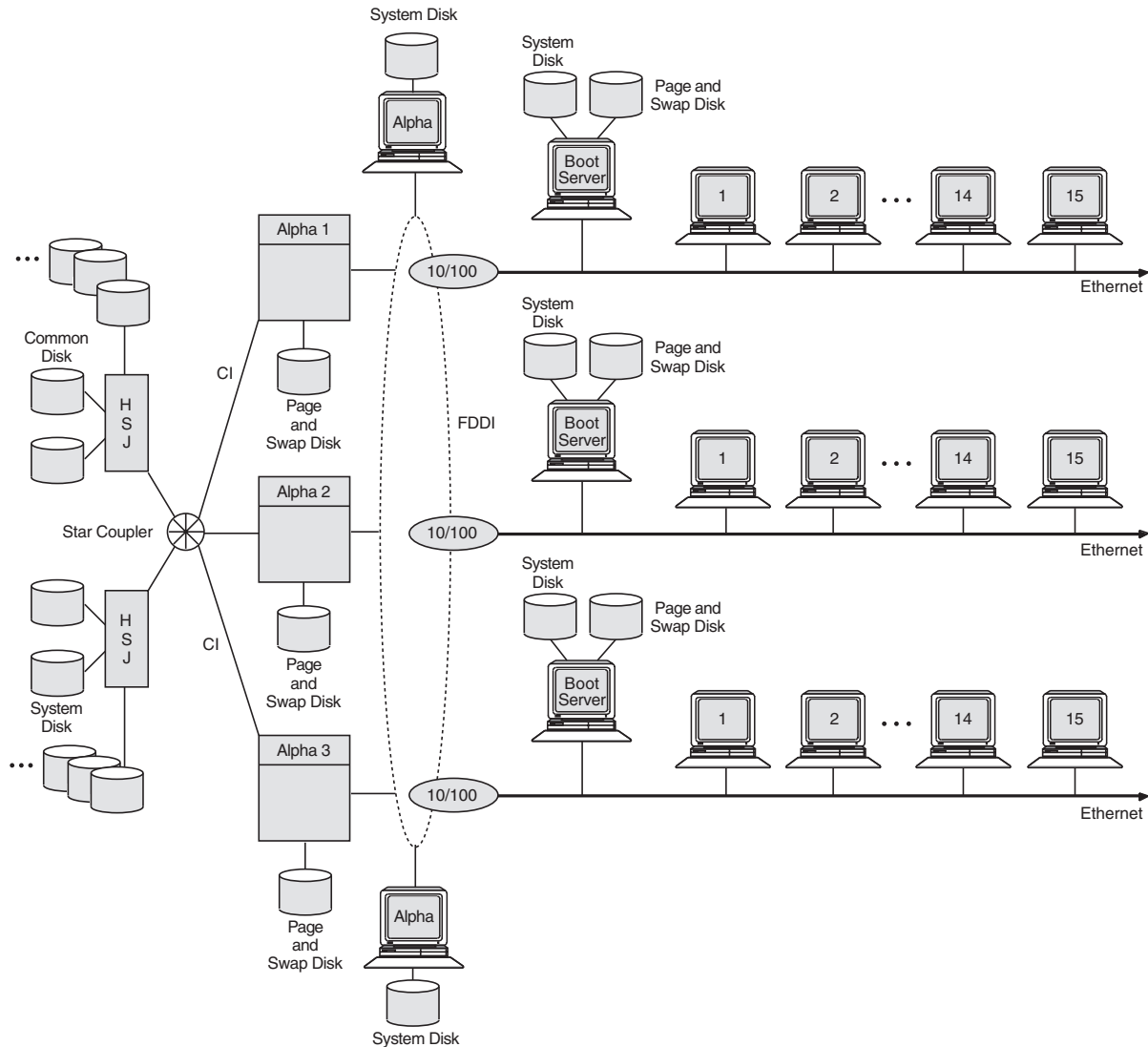
### 11.2.3 Multiple System-Disk OpenVMS Cluster

Arranging system disks as shown in Figure 11–3 can reduce booting time and LAN utilization.

# OpenVMS Cluster System Management Strategies

## 11.2 System Disk Strategies

Figure 11–3 Multiple System Disks in a Common Environment



ZK-7036A-GE

Figure 11–3 is an OpenVMS Cluster with multiple system disks:

- One for Alpha 1, Alpha 2, and Alpha 3
- One for each boot server on the LAN segments

The use of multiple system disks in this configuration and the way that the LAN segments are divided enable the booting sequence to be efficient and timely.

### 11.2.4 Dividing an OpenVMS Cluster System

In the workstation server examples shown in Section 10.7, OpenVMS Cluster reboots after a failure are relatively simple because of the small number of satellites per server. However, reboots in the larger, OpenVMS Cluster configuration shown in Figure 11–3 require careful planning. Dividing this OpenVMS Cluster and arranging the system disks as described in this section can reduce booting time significantly. Dividing the OpenVMS Cluster can

# OpenVMS Cluster System Management Strategies

## 11.2 System Disk Strategies

also reduce the satellite utilization of the LAN segment and increase satellite performance.

The disks in this OpenVMS Cluster have specific functions, as described in Table 11–2.

**Table 11–2 How Multiple System Disks Are Used**

Disk	Contents	Purpose
Common disk	All environment files for the entire OpenVMS Cluster	Environment files such as SYSUAF.DAT, NETPROXY.DAT, QMAN\$MASTER.DAT are accessible to all nodes—including satellites—during booting. This frees the satellite boot servers to serve only system files and root information to the satellites.  To create a common environment and increase performance for all system disks, see Section 11.3.
System disk	System roots for Alpha 1, Alpha 2, and Alpha 3	High performance for server systems. Make this disk as read-only as possible by taking environment files that have write activity off the system disk. The disk can be mounted clusterwide in SYLOGICALS.COM during startup.
Satellite boot servers' system disks	System files or roots for the satellites	Frees the system disk attached to Alpha 1, Alpha 2, and Alpha 3 from having to serve satellites, and divide total LAN traffic over individual Ethernet segments.
Page and swap disks	Page and swap files for one or more systems	Reduce I/O activity on the system disks, and free system disk space for applications and system roots.

In a booting sequence for the configuration in Figure 11–3, make sure that nodes Alpha 1, Alpha 2, and Alpha 3 are entirely booted before booting the LAN Ethernet segments so that the files on the common disk are available to the satellites. Enable filtering of the Maintenance Operations Protocol (MOP) on the Ethernet-to-FDDI (10/100) bridges so that the satellites do not try to boot from the system disks for Alpha 1, Alpha 2, and Alpha 3. The order in which to boot this OpenVMS Cluster is:

1. Boot Alpha 1, Alpha 2, and Alpha 3.
2. Boot the satellite boot servers.
3. Boot all satellites.

**Reference:** See Section 10.7.7 for information about extended LANs.

### 11.2.5 Summary: Single Versus Multiple System Disks

Use the information in Table 11–3 to determine whether you need a system disk for the entire OpenVMS Cluster or multiple system disks.

# OpenVMS Cluster System Management Strategies

## 11.2 System Disk Strategies

**Table 11–3 Comparison of Single and Multiple System Disks**

Single System Disk	Multiple System Disks
Node may have to wait longer for access to a file on the system disk.	Node does not have to wait for access to the system disk and has faster processor performance.
Contention for a single resource increases.	Contention for a single resource decreases.
Boot time for satellites increases.	Boot time for satellites decreases.
Only one system disk to manage.	More than one system disk to manage.
Less complex system management.	More complex system management, such as coordinating system parameters and files clusterwide.
Lower hardware and software costs.	Higher hardware and software costs, especially if disks are shadowed.
Lower cost of system management because less time and experience required to manage a single system disk.	Higher cost of system management because more time and experience required to manage multiple system disks.

## 11.3 OpenVMS Cluster Environment Strategies

Depending on your processing needs, you can prepare either a common environment, in which all environment files are shared clusterwide, or a multiple environment, in which some files are shared clusterwide and others are accessible only by certain OpenVMS Cluster members.

The following are the most frequently used and manipulated OpenVMS Cluster environment files:

```
SYS$SYSTEM:SYSUAF.DAT
SYS$SYSTEM:NETPROXY.DAT
SYS$SYSTEM:VMSMAIL_PROFILE.DATA
SYS$SYSTEM:NETNODE_REMOTE.DAT
SYS$MANAGER:NETNODE_UPDATE.COM
SYS$SYSTEM:RIGHTSLIST.DAT
SYS$SYSTEM:QMAN$MASTER.DAT
```

**Reference:** For more information about managing these files, see *HP OpenVMS Cluster Systems*.

### 11.3.1 Common Environment

A common OpenVMS Cluster environment is an operating environment that is identical on all nodes in the OpenVMS Cluster. A common environment is easier to manage than multiple environments because you use a common version of each system file. The environment is set up so that:

- All nodes run the same programs, applications, and utilities.
- All users have the same type of accounts, and the same logical names are defined.
- All users can have common access to storage devices and queues.
- All users can log in to any node in the configuration and can work in the same environment as all other users.

## OpenVMS Cluster System Management Strategies

### 11.3 OpenVMS Cluster Environment Strategies

The simplest and most inexpensive environment strategy is to have one system disk for the OpenVMS Cluster with all environment files on the same disk, as shown in Figure 11–1. The benefits of this strategy are:

- Software products need to be installed only once.
- All environment files are on the system disk and are easier to locate and manage.
- Booting dependencies are clear.

#### 11.3.2 Putting Environment Files on a Separate, Common Disk

For an OpenVMS Cluster in which every node share the same system disk and environment, most common environment files are located in the SYS\$SYSTEM directory.

However, you may want to move environment files to a separate disk so that you can improve OpenVMS Cluster performance. Because the environment files typically experience 80% of the system-disk activity, putting them on a separate disk decreases activity on the system disk. Figure 11–3 shows an example of a separate, common disk.

If you move environment files such as SYSUAF.DAT to a separate, common disk, SYSUAF.DAT will not be located in its default location of SYS\$SYSTEM:SYSUAF.DAT.

**Reference:** See *HP OpenVMS Cluster Systems* for procedures to ensure that every node in the OpenVMS Cluster can access SYSUAF.DAT in its new location.

#### 11.3.3 Multiple Environments

Multiple environments can vary from node to node. You can set up an individual node or a subset of nodes to:

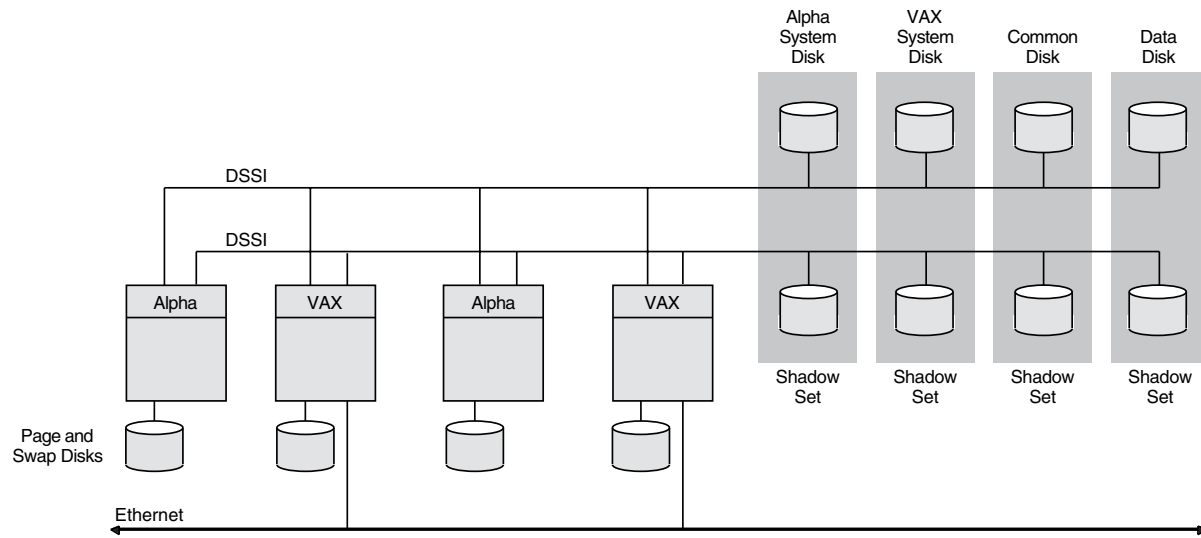
- Provide multiple access according to the type of tasks users perform and the resources they use.
- Share a set of resources that are not available on other nodes.
- Perform specialized functions using restricted resources while other processors perform general timesharing work.
- Allow users to work in environments that are specific to the node where they are logged in.

Figure 11–4 shows an example of a multiple environment.

# OpenVMS Cluster System Management Strategies

## 11.3 OpenVMS Cluster Environment Strategies

Figure 11–4 Multiple-Environment OpenVMS Cluster



ZK-7024A-GE

In Figure 11–4, the multiple-environment OpenVMS Cluster consists of two system disks: one for VAX nodes and one for Alpha nodes. The common disk contains environment files for each node or group of nodes. Although many OpenVMS Cluster system managers prefer the simplicity of a single (common) environment, duplicating environment files is necessary for creating multiple environments that do not share resources across every node. Each environment can be tailored to the types of tasks users perform and the resources they use, and the configuration can have many different applications installed.

Each of the four DSSI nodes has its own page and swap disk, offloading the Alpha and VAX system disks on the DSSI interconnect from page and swap activity. All of the disks are shadowed across the DSSI interconnects, which protects the disks if a failure occurs.

### 11.4 Additional Multiple-Environment Strategies

This section describes additional multiple-environment strategies, such as using multiple SYSUAF.DAT files and multiple queue managers.

#### 11.4.1 Using Multiple SYSUAF.DAT Files

Most OpenVMS Clusters are managed with one user authorization (SYSUAF.DAT) file, but you can use multiple user authorization files to limit access for some users to certain systems. In this scenario, users who need access to all systems also need multiple passwords.

Be careful about security with multiple SYSUAF.DAT files. The OpenVMS VAX and OpenVMS Alpha operating systems do not support multiple security domains.

**Reference:** See *HP OpenVMS Cluster Systems* for the list of fields that need to be the same for a single security domain, including SYSUAF.DAT entries.

## OpenVMS Cluster System Management Strategies

### 11.4 Additional Multiple-Environment Strategies

Because Alpha systems require higher process quotas, system managers often respond by creating multiple SYSUAF.DAT files. This is not an optimal solution. Multiple SYSUAF.DAT files are intended only to vary environments from node to node, not to increase process quotas. To increase process quotas, HP recommends that you have one SYSUAF.DAT file and that you use system parameters to override process quotas in the SYSUAF.DAT file with system parameters to control resources for your Alpha systems.

#### 11.4.2 Using Multiple Queue Managers

If the number of batch and print transactions on your OpenVMS Cluster is causing congestion, you can implement multiple queue managers to distribute the batch and print loads between nodes.

Every OpenVMS Cluster has only one QMAN\$MASTER.DAT file. Multiple queue managers are defined through multiple \*.QMAN\$QUEUES and \*.QMAN\$JOURNAL files. Place each pair of queue manager files on different disks. If the QMAN\$MASTER.DAT file has contention problems, place it on a solid-state disk to increase the number of batch and print transactions your OpenVMS Cluster can process. For example, you can create separate queue managers for batch queues and print queues.

**Reference:** See *HP OpenVMS System Manager's Manual, Volume 1: Essentials* for examples and commands to implement multiple queue managers.

## 11.5 Quorum Strategies

OpenVMS Cluster systems use a quorum algorithm to ensure synchronized access to storage. The quorum algorithm is a mathematical method for determining whether a majority of OpenVMS Cluster members exists so that they can “vote” on how resources can be shared across an OpenVMS Cluster system. The connection manager, which calculates quorum as a dynamic value, allows processing to occur only if a majority of the OpenVMS Cluster members are functioning.

Quorum votes are contributed by:

- Systems with the parameter VOTES set to a number greater than zero
- A designated disk, called a quorum disk

Each OpenVMS Cluster system can include only one quorum disk. The disk cannot be a member of a shadow set, but it can be the system disk.

The connection manager knows about the quorum disk from “quorum disk watchers,” which are any systems that have a direct, active connection to the quorum disk.

#### 11.5.1 Quorum Strategy Options

At least two systems should have a direct connection to the quorum disk. This ensures that the quorum disk votes are accessible if one of the systems fails.

When you consider quorum strategies, you must decide under what failure circumstances you want the OpenVMS Cluster to continue. Table 11–4 describes four options from which to choose.

# OpenVMS Cluster System Management Strategies

## 11.5 Quorum Strategies

**Table 11–4 Quorum Strategies**

Strategy Option <sup>1</sup>	Description
Continue if the majority of the maximum “expected” nodes still remain.	Give every node a vote and do not use a quorum disk. This strategy requires three or more nodes.
Continue with only one node remaining (of three or more nodes).	This strategy requires a quorum disk. By increasing the quorum disk’s votes to one less than the total votes from all systems (and by increasing the value of the EXPECTED_VOTES system parameter by the same amount), you can boot and run the cluster with only one node as a quorum disk watcher. This prevents having to wait until more than half the voting systems are operational before you can start using the OpenVMS Cluster system.
Continue with only one node remaining (two-node OpenVMS Cluster).	Give each node and the quorum disk a vote. The two-node OpenVMS Cluster is a special case of this alternative. By establishing a quorum disk, you can increase the availability of a two-node OpenVMS Cluster. Such configurations can maintain quorum and continue to operate in the event of failure of either the quorum disk or one node. This requires that both nodes be directly connected to storage (by CI, DSSI, SCSI, or Fibre Channel) for both to be quorum disk watchers.
Continue with only critical nodes in the OpenVMS Cluster.	Generally, this strategy gives servers votes and gives satellites none. This assumes three or more servers and no quorum disk.

<sup>1</sup>These strategies are mutually exclusive; choose only one.

**Reference:** For more information about quorum disk management, see *HP OpenVMS Cluster Systems*.

## 11.6 State Transition Strategies

OpenVMS Cluster state transitions occur when a system joins or leaves an OpenVMS Cluster system and when the OpenVMS Cluster recognizes a quorum-disk state change. The connection manager handles these events to ensure the preservation of data integrity throughout the OpenVMS Cluster.

State transitions should be a concern only if systems are joining or leaving an OpenVMS Cluster system frequently enough to cause disruption.

A state transition’s duration and effect on users and applications is determined by the reason for the transition, the configuration, and the applications in use. By managing transitions effectively, system managers can control:

- Detection of failures and how long the transition takes
- Side effects of the transition, such as volume shadowing copy and merge operations

### 11.6.1 Dealing with State Transitions

The following guidelines describe effective ways of dealing with transitions so that you can minimize the actual transition time as well as the side effects after the transition.

- Be proactive in preventing nodes from leaving an OpenVMS Cluster by:
  - Providing interconnect redundancy between all systems.
  - Preventing resource exhaustion of disks and memory as well as saturation of interconnects, processors, and adapters.



## OpenVMS Cluster System Management Strategies

### 11.6 State Transition Strategies

- Using an uninterruptible power supply (UPS).
- Informing users that shutting off a workstation in a large OpenVMS Cluster disrupts the operation of all systems in the cluster.
- Do not use a quorum disk unless your OpenVMS Cluster has only two nodes.
- Where possible, ensure that shadow set members reside on shared buses to increase availability.
- The time to detect the failure of nodes, disks, adapters, interconnects, and virtual circuits is controlled by system polling parameters. Reducing polling time makes the cluster react quickly to changes, but it also results in lower tolerance to temporary outages. When setting timers, try to strike a balance between rapid recovery from significant failures and “nervousness” resulting from temporary failures.

Table 11–5 describes OpenVMS Cluster polling parameters that you can adjust for quicker detection time. HP recommends that these parameters be set to the same value in each OpenVMS Cluster member.

**Table 11–5 OpenVMS Cluster Polling Parameters**

Parameter	Description
QDSKINTERVAL	Specifies the quorum disk polling interval.
RECNXINTERVL	Specifies the interval during which the connection manager attempts to restore communication to another system.
TIMVCFAIL	Specifies the time required for detection of a virtual circuit failure.

- Include application recovery in your plans. When you assess the effect of a state transition on application users, consider that the application recovery phase includes activities such as replaying a journal file, cleaning up recovery units, and users logging in again.

**Reference:** For more detailed information about OpenVMS Cluster transitions and their phases, system parameters, quorum management, see *HP OpenVMS Cluster Systems*.

## 11.7 Migration and Warranted Support for Multiple Versions

HP provides two levels of support, warranted and migration, for mixed-version and mixed-architecture OpenVMS Cluster systems.

Warranted support means that HP has fully qualified different versions coexisting in an OpenVMS Cluster and will answer all problems identified by customers using these configurations. The warranted configurations for this release include:

- Alpha Version 8.2 and I64 Version 8.2
- Alpha Version 7.3-2 and I64 Version 8.2
- Alpha Version 7.3-2 and Alpha Version 8.2
- Alpha Version 7.3-2, Alpha Version 8.2, and I64 Version 8.2
- Alpha Version 7.3-2 and VAX Version 7.3
- VAX Version 7.3 and Alpha Version 8.2

## OpenVMS Cluster System Management Strategies

### 11.7 Migration and Warranted Support for Multiple Versions

Migration support helps customers move to warranted OpenVMS Cluster configurations with minimal impact on their cluster environments. Migration support means that HP has qualified the versions for use together in configurations that are migrating in a staged fashion to a newer version of OpenVMS VAX or of OpenVMS Alpha. Problem reports submitted against these configurations will be answered by HP. However, in exceptional cases, HP might request that you move to a warranted configuration as part of the solution.

This release of OpenVMS includes no configurations specific to migration support.

In a mixed-version cluster, you must install remedial kits on earlier versions of OpenVMS. For a complete list of required remedial kits, see the *HP OpenVMS Version 8.2 Release Notes*.

### 11.8 Alpha, VAX, and I64 Systems in the Same OpenVMS Cluster

A combination of OpenVMS Alpha and OpenVMS VAX systems or a combination of OpenVMS Alpha and OpenVMS I64 systems can work together in the same OpenVMS Cluster to provide both flexibility and migration capability. In addition, using different platforms enables you to use applications that are system specific or hardware specific.

#### 11.8.1 OpenVMS Cluster Satellite Booting Across Architectures

OpenVMS Alpha Version 7.1 (and higher) and OpenVMS VAX Version 7.1 (and higher) enable VAX boot nodes to provide boot service to Alpha satellites and Alpha boot nodes to provide boot service to VAX satellites. This support, called cross-architecture booting, increases configuration flexibility and higher availability of boot servers for satellites.

Two configuration scenarios make cross-architecture booting desirable:

- You want the Alpha system disk configured in the same highly available and high-performance area as your VAX system disk.
- Your Alpha boot server shares CI or DSSI storage with the VAX boot server. If your only Alpha boot server fails, you want to be able to reboot an Alpha satellite before the Alpha boot server reboots.

#### 11.8.2 Restrictions

You cannot perform OpenVMS operating system and layered product installations and upgrades across architectures. For example, you must install and upgrade OpenVMS Alpha software using an Alpha system. When you configure OpenVMS Cluster systems that take advantage of cross-architecture booting, ensure that at least one system from each architecture is configured with a disk that can be used for installations and upgrades.

System disks can contain only a single version of the OpenVMS operating system and are architecture-specific. For example, OpenVMS VAX Version 7.3 cannot coexist on a system disk with OpenVMS Alpha Version 7.3.

---

## SCSI as an OpenVMS Cluster Interconnect

One of the benefits of OpenVMS Cluster systems is that multiple computers can simultaneously access storage devices connected to an OpenVMS Cluster storage interconnect. Together, these systems provide high performance and highly available access to storage.

This appendix describes how OpenVMS Cluster systems support the Small Computer Systems Interface (SCSI) as a storage interconnect. Multiple Alpha computers, also referred to as hosts or nodes, can simultaneously access SCSI disks over a SCSI interconnect. Such a configuration is called a SCSI multihost OpenVMS Cluster. A SCSI interconnect, also called a SCSI bus, is an industry-standard interconnect that supports one or more computers, peripheral devices, and interconnecting components.

The discussions in this chapter assume that you already understand the concept of sharing storage resources in an OpenVMS Cluster environment. OpenVMS Cluster concepts and configuration requirements are also described in the following OpenVMS Cluster documentation:

- *HP OpenVMS Cluster Systems*
- OpenVMS Cluster Software *Software Product Description* (SPD 29.78.xx)

This appendix includes two primary parts:

- Section A.1 through Section A.6.6 describe the fundamental procedures and concepts that you would need to plan and implement a SCSI multihost OpenVMS Cluster system.
- Section A.7 and its subsections provide additional technical detail and concepts.

### A.1 Conventions Used in This Appendix

Certain conventions are used throughout this appendix to identify the ANSI Standard and for elements in figures.

#### A.1.1 SCSI ANSI Standard

OpenVMS Cluster systems configured with the SCSI interconnect must use standard SCSI-2 or SCSI-3 components. The SCSI-2 components must be compliant with the architecture defined in the *American National Standards Institute (ANSI) Standard SCSI-2, X3T9.2, Rev. 10L*. The SCSI-3 components must be compliant with approved versions of the SCSI-3 Architecture and Command standards. For ease of discussion, this appendix uses the term SCSI to refer to both SCSI-2 and SCSI-3.

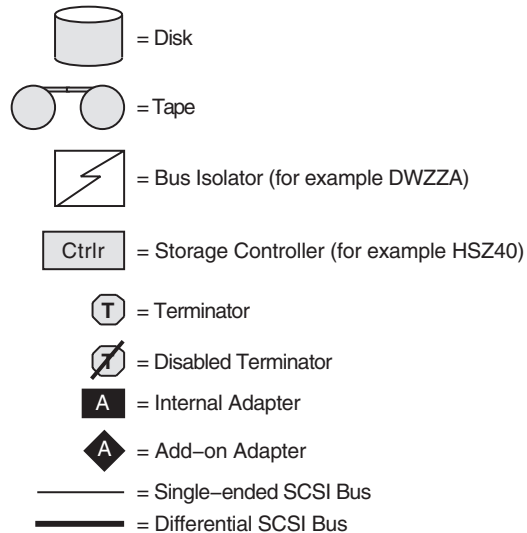
# SCSI as an OpenVMS Cluster Interconnect

## A.1 Conventions Used in This Appendix

### A.1.2 Symbols Used in Figures

Figure A-1 is a key to the symbols used in figures throughout this appendix.

**Figure A-1 Key to Symbols Used in Figures**



ZK-7759A-GE

## A.2 Accessing SCSI Storage

In OpenVMS Cluster configurations, multiple VAX and Alpha hosts can directly access SCSI devices in any of the following ways:

- CI interconnect with HSJ or HSC controllers
- Digital Storage Systems Interconnect (DSSI) with HSD controller
- SCSI adapters directly connected to VAX or Alpha systems

You can also access SCSI devices indirectly using the OpenVMS MSCP server.

The following sections describe single-host and multihost access to SCSI storage devices.

### A.2.1 Single-Host SCSI Access in OpenVMS Cluster Systems

Prior to OpenVMS Version 6.2, OpenVMS Cluster systems provided support for SCSI storage devices connected to a single host using an embedded SCSI adapter, an optional external SCSI adapter, or a special-purpose RAID (redundant arrays of independent disks) controller. Only one host could be connected to a SCSI bus.

### A.2.2 Multihost SCSI Access in OpenVMS Cluster Systems

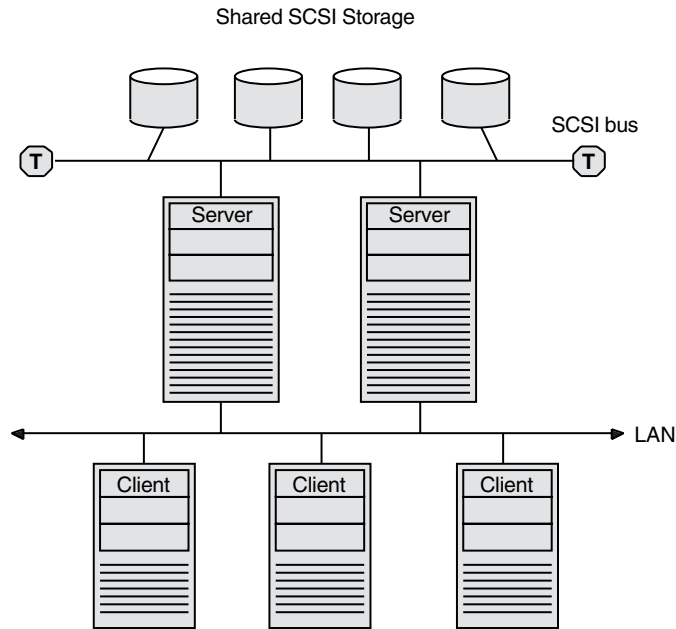
Beginning with OpenVMS Alpha Version 6.2, multiple Alpha hosts in an OpenVMS Cluster system can be connected to a single SCSI bus to share access to SCSI storage devices directly. This capability allows you to build highly available servers using shared access to SCSI storage.

## SCSI as an OpenVMS Cluster Interconnect

### A.2 Accessing SCSI Storage

Figure A–2 shows an OpenVMS Cluster configuration that uses a SCSI interconnect for shared access to SCSI devices. Note that another interconnect (for example, a local area network [LAN]) is required for host-to-host OpenVMS Cluster (System Communications Architecture [SCA]) communications.

**Figure A–2 Highly Available Servers for Shared SCSI Access**



ZK-7479A-GE

You can build a three-node OpenVMS Cluster system using the shared SCSI bus as the storage interconnect, or you can include shared SCSI buses within a larger OpenVMS Cluster configuration. A quorum disk can be used on the SCSI bus to improve the availability of two- or three-node configurations. Host-based RAID (including host-based shadowing) and the MSCP server are supported for shared SCSI storage devices.

## A.3 Configuration Requirements and Hardware Support

This section lists the configuration requirements and supported hardware for multihost SCSI OpenVMS Cluster systems.

### A.3.1 Configuration Requirements

Table A–1 shows the requirements and capabilities of the basic software and hardware components you can configure in a SCSI OpenVMS Cluster system.

## SCSI as an OpenVMS Cluster Interconnect

### A.3 Configuration Requirements and Hardware Support

**Table A–1 Requirements for SCSI Multihost OpenVMS Cluster Configurations**

Requirement	Description
Software	<p>All Alpha hosts sharing access to storage on a SCSI interconnect must be running:</p> <ul style="list-style-type: none"> <li>• OpenVMS Alpha Version 6.2 or later</li> <li>• OpenVMS Cluster Software for OpenVMS Alpha Version 6.2 or later</li> </ul>
Hardware	<p>Table A–2 lists the supported hardware components for SCSI OpenVMS Cluster systems. See also Section A.7.7 for information about other hardware devices that might be used in a SCSI OpenVMS Cluster configuration.</p>
SCSI tape, floppies, and CD–ROM drives	<p>You cannot configure SCSI tape drives, floppy drives, or CD–ROM drives on multihost SCSI interconnects. If your configuration requires SCSI tape, floppy, or CD–ROM drives, configure them on single-host SCSI interconnects. Note that SCSI tape, floppy, or CD–ROM drives may be MSCP or TMSCP served to other hosts in the OpenVMS Cluster configuration.</p>
Maximum hosts on a SCSI bus	<p>You can connect up to three hosts on a multihost SCSI bus. You can configure any mix of the hosts listed in Table A–2 on the same shared SCSI interconnect.</p>
Maximum SCSI buses per host	<p>You can connect each host to a maximum of six multihost SCSI buses. The number of nonshared (single-host) SCSI buses that can be configured is limited only by the number of available slots on the host bus.</p>
Host-to-host communication	<p>All members of the cluster must be connected by an interconnect that can be used for host-to-host (SCA) communication; for example, DSSI, CI, Ethernet, FDDI, or MEMORY CHANNEL.</p>
Host-based RAID (including host-based shadowing)	<p>Supported in SCSI OpenVMS Cluster configurations.</p>

(continued on next page)

## SCSI as an OpenVMS Cluster Interconnect

### A.3 Configuration Requirements and Hardware Support

Table A–1 (Cont.) Requirements for SCSI Multihost OpenVMS Cluster Configurations

Requirement	Description
SCSI device naming	<p>The name of each SCSI device must be unique throughout the OpenVMS Cluster system. When configuring devices on systems that include a multihost SCSI bus, adhere to the following requirements:</p> <ul style="list-style-type: none"><li>• A host can have, at most, one adapter attached to a particular SCSI interconnect.</li><li>• All host adapters attached to a given SCSI interconnect must have the same OpenVMS device name (for example, PKA0), unless port allocation classes are used (see <i>HP OpenVMS Cluster Systems</i>).</li><li>• Each system attached to a SCSI interconnect must have a nonzero node disk allocation class value. These node disk allocation class values may differ as long as either of the following conditions is true:<ul style="list-style-type: none"><li>– The SCSI interconnect has a positive, non-zero port allocation class</li><li>– The only devices attached to the SCSI interconnect are accessed by HSZ70 or HSZ80 controllers that have a non-zero controller allocation class.</li></ul></li></ul> <p>If you have multiple SCSI interconnects, you must consider all the SCSI interconnects to determine whether you can chose a different value for the node disk allocation class on each system. Note, also, that the addition of a SCSI device to an existing SCSI interconnect requires a reevaluation of whether the node disk allocation classes can still be different. Therefore, HP recommends that you use the same node disk allocation class value for all systems attached to the same SCSI interconnect. For more information about allocation classes, see <i>HP OpenVMS Cluster Systems</i>.</p>

#### A.3.2 Hardware Support

Table A–2 shows the supported hardware components for SCSI OpenVMS Cluster systems; it also lists the minimum required revision for these hardware components. That is, for any component, you must use either the version listed in Table A–2 or a subsequent version. For host support information, go to the HP servers web site:

<http://www.hp.com/country/us/eng/prodserv/servers.html>

There, you will find documentation for your AlphaServer or AlphaStation system.

For disk support information, refer to the HP storage web site:

<http://www.hp.com/country/us/eng/prodserv/storage.html>

The SCSI interconnect configuration and all devices on the SCSI interconnect must meet the requirements defined in the *ANSI Standard SCSI-2* document, or the SCSI-3 Architecture and Command standards, and the requirements described in this appendix. See also Section A.7.7 for information about other hardware devices that might be used in a SCSI OpenVMS Cluster configuration.



## SCSI as an OpenVMS Cluster Interconnect

### A.3 Configuration Requirements and Hardware Support

**Table A–2 Supported Hardware for SCSI OpenVMS Cluster Systems**

Component	Supported Item	Minimum Firmware (FW) Version <sup>1</sup>
Controller	HSZ40–B	2.5 (FW)
	HSZ50	
	HSZ70	
	HSZ80	
Adapters <sup>2</sup>	Embedded (NCR-810 based)	8.3 (FW)
	KZPAA (PCI to SCSI)	
	KZPSA (PCI to SCSI)	
	KZPBA-CB (PCI to SCSI)	
	KZTSA (TURBOchannel to SCSI)	
		A11 (FW)
		5.53 (FW)
		A10-1 (FW)

<sup>1</sup>Unless stated in this column, the minimum firmware version for a device is the same as required for the operating system version you are running. There are no additional firmware requirements for a SCSI multihost OpenVMS Cluster configuration.

<sup>2</sup>You can configure other types of SCSI adapters in a system for single-host access to local storage.

## A.4 SCSI Interconnect Concepts

The SCSI standard defines a set of rules governing the interactions between initiators (typically, host systems) and SCSI targets (typically, peripheral devices). This standard allows the host to communicate with SCSI devices (such as disk drives, tape drives, printers, and optical media devices) without having to manage the device-specific characteristics.

The following sections describe the SCSI standard and the default modes of operation. The discussions also describe some optional mechanisms you can implement to enhance the default SCSI capabilities in areas such as capacity, performance, availability, and distance.

### A.4.1 Number of Devices

The SCSI bus is an I/O interconnect that can support up to 16 devices. A narrow SCSI bus supports up to 8 devices; a wide SCSI bus support up to 16 devices. The devices can include host adapters, peripheral controllers, and discrete peripheral devices such as disk or tape drives. The devices are addressed by a unique ID number from 0 through 15. You assign the device IDs by entering console commands, or by setting jumpers or switches, or by selecting a slot on a StorageWorks enclosure.

---

#### Note

---

In order to connect 16 devices to a wide SCSI bus, the devices themselves must also support wide addressing. Narrow devices do not talk to hosts above ID 7. Presently, the HSZ40 does not support addresses above 7. Host adapters that support wide addressing are KZTSA, KZPSA, and the QLogic wide adapters (KZPBA, KZPDA, ITIOP, P1SE, and P2SE). Only the KZPBA-CB is supported in a multihost SCSI OpenVMS Cluster configuration.

---



## SCSI as an OpenVMS Cluster Interconnect

### A.4 SCSI Interconnect Concepts

When configuring more devices than the previous limit of eight, make sure that you observe the bus length requirements (see Table A–4).

To configure wide IDs on a BA356 box, refer to the BA356 manual *StorageWorks Solutions BA356-SB 16-Bit Shelf User's Guide* (order number EK-BA356-UG). Do not configure a narrow device in a BA356 box that has a starting address of 8.

To increase the number of devices on the SCSI interconnect, some devices implement a second level of device addressing using logical unit numbers (LUNs). For each device ID, up to eight LUNs (0–7) can be used to address a single SCSI device as multiple units. The maximum number of LUNs per device ID is eight.

---

#### Note

---

When connecting devices to a SCSI interconnect, each device on the interconnect must have a unique device ID. You may need to change a device's default device ID to make it unique. For information about setting a single device's ID, refer to the owner's guide for the device.

---

#### A.4.2 Performance

The default mode of operation for all SCSI devices is 8-bit asynchronous mode. This mode, sometimes referred to as narrow mode, transfers 8 bits of data from one device to another. Each data transfer is acknowledged by the device receiving the data. Because the performance of the default mode is limited, the SCSI standard defines optional mechanisms to enhance performance. The following list describes two optional methods for achieving higher performance:

- Increase the amount of data that is transferred in parallel on the interconnect. The 16-bit and 32-bit wide options allow a doubling or quadrupling of the data rate, respectively. Because the 32-bit option is seldom implemented, this appendix discusses only 16-bit operation and refers to it as **wide**.
- Use synchronous data transfer. In synchronous mode, multiple data transfers can occur in succession, followed by an acknowledgment from the device receiving the data. The standard defines a slow mode (also called standard mode) and a fast mode for synchronous data transfers:
  - In standard mode, the interconnect achieves up to 5 million transfers per second.
  - In fast mode, the interconnect achieves up to 10 million transfers per second.
  - In ultra mode, the interconnect achieves up to 20 million transfers per second.

Because all communications on a SCSI interconnect occur between two devices at a time, each pair of devices must negotiate to determine which of the optional features they will use. Most, if not all, SCSI devices implement one or more of these options.

Table A–3 shows data rates when using 8- and 16-bit transfers with standard, fast, and ultra synchronous modes.

## SCSI as an OpenVMS Cluster Interconnect

### A.4 SCSI Interconnect Concepts

**Table A-3 Maximum Data Transfer Rates (MB/s)**

Mode	Narrow (8-bit)	Wide (16-bit)
Standard	5	10
Fast	10	20
Ultra	20	40

#### A.4.3 Distance

The maximum length of the SCSI interconnect is determined by the signaling method used in the configuration and by the data transfer rate. There are two types of electrical signaling for SCSI interconnects:

- Single-ended signaling  
The single-ended method is the most common and the least expensive. The distance spanned is generally modest.
- Differential signaling  
This method provides higher signal integrity, thereby allowing a SCSI bus to span longer distances.

Table A-4 summarizes how the type of signaling method affects SCSI interconnect distances.

**Table A-4 Maximum SCSI Interconnect Distances**

Signaling Technique	Rate of Data Transfer	Maximum Cable Length
Single ended	Standard	6 m <sup>1</sup>
Single ended	Fast	3 m
Single ended	Ultra	20.5 m <sup>2</sup>
Differential	Standard or fast	25 m
Differential	Ultra	25.5 m <sup>2</sup>

<sup>1</sup>The SCSI standard specifies a maximum length of 6 m for this type of interconnect. However, where possible, it is advisable to limit the cable length to 4 m to ensure the highest level of data integrity.

<sup>2</sup>For more information, refer to the *StorageWorks UltraSCSI Configuration Guidelines*, order number EK-ULTRA-CG.

The **DWZZA, DWZZB, and DWZZC converters** are single-ended to differential converters that you can use to connect single-ended and differential SCSI interconnect segments. The DWZZA is for narrow (8-bit) SCSI buses, the DWZZB is for wide (16-bit) SCSI buses, and the DWZZC is for wide Ultra SCSI buses.

The differential segments are useful for the following:

- Overcoming the distance limitations of the single-ended interconnect
- Allowing communication between single-ended and differential devices

Because the DWZZA, the DWZZB, and the DWZZC are strictly signal converters, you can not assign a SCSI device ID to them. You can configure a maximum of two DWZZA or two DWZZB converters in the path between any two SCSI devices. Refer to the *StorageWorks UltraSCSI Configuration Guidelines* for information on configuring the DWZZC.

#### A.4.4 Cabling and Termination

Each single-ended and differential SCSI interconnect must have two terminators, one at each end. The specified maximum interconnect lengths are measured from terminator to terminator.

The interconnect terminators are powered from the SCSI interconnect line called TERMPWR. Each StorageWorks host adapter and enclosure supplies the TERMPWR interconnect line, so that as long as one host or enclosure is powered on, the interconnect remains terminated.

Devices attach to the interconnect by short cables (or etch) called stubs. Stubs must be short in order to maintain the signal integrity of the interconnect. The maximum stub lengths allowed are determined by the type of signaling used by the interconnect, as follows:

- For single-ended interconnects, the maximum stub length is .1 m.
- For differential interconnects, the maximum stub length is .2 m.

Additionally, the minimum distance between stubs on a single-ended interconnect is .3 m. Refer to Figure A-3 for an example of this configuration.

---

**Note**

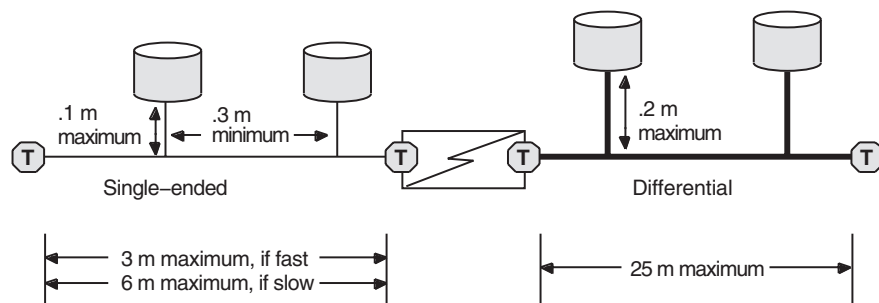
---

Terminate single-ended and differential buses individually, even when using DWZZx converters.

---

When you are extending the SCSI bus beyond an existing terminator, it is necessary to disable or remove that terminator.

**Figure A-3 Maximum Stub Lengths**



ZK-7480A-GE

#### A.5 SCSI OpenVMS Cluster Hardware Configurations

The hardware configuration that you choose depends on a combination of factors:

- Your computing needs—for example, continuous availability or the ability to disconnect or remove a system from your SCSI OpenVMS Cluster system
- Your environment—for example, the physical attributes of your computing facility

## SCSI as an OpenVMS Cluster Interconnect

### A.5 SCSI OpenVMS Cluster Hardware Configurations

- Your resources—for example, your capital equipment or the available PCI slots

Refer to the OpenVMS Cluster Software *Software Product Description* (SPD 29.78.xx) for configuration limits.

The following sections provide guidelines for building SCSI configurations and describe potential configurations that might be suitable for various sites.

#### A.5.1 Systems Using Add-On SCSI Adapters

Shared SCSI bus configurations typically use optional add-on KZPAA, KZPSA, KZPBA, and KZTSA adapters. These adapters are generally easier to configure than internal adapters because they do not consume any SCSI cable length. Additionally, when you configure systems using add-on adapters for the shared SCSI bus, the internal adapter is available for connecting devices that cannot be shared (for example, SCSI tape, floppy, and CD-ROM drives).

When using add-on adapters, storage is configured using BA350, BA353, or HSZxx StorageWorks enclosures. These enclosures are suitable for all data disks, and for shared OpenVMS Cluster system and quorum disks. By using StorageWorks enclosures, it is possible to shut down individual systems without losing access to the disks.

The following sections describe some SCSI OpenVMS Cluster configurations that take advantage of add-on adapters.

##### A.5.1.1 Building a Basic System Using Add-On SCSI Adapters

Figure A-4 shows a logical representation of a basic configuration using SCSI adapters and a StorageWorks enclosure. This configuration has the advantage of being relatively simple, while still allowing the use of tapes, floppies, CD-ROMs, and disks with nonshared files (for example, page files and swap files) on internal buses. Figure A-5 shows this type of configuration using AlphaServer 1000 systems and a BA350 enclosure.

The BA350 enclosure uses 0.9 m of SCSI cabling, and this configuration typically uses two 1-m SCSI cables. (A BA353 enclosure also uses 0.9 m, with the same total cable length.) The resulting total cable length of 2.9 m allows fast SCSI mode operation.

Although the shared BA350 storage enclosure is theoretically a single point of failure, this basic system is a very reliable SCSI OpenVMS Cluster configuration. When the quorum disk is located in the BA350, you can shut down either of the AlphaStation systems independently while retaining access to the OpenVMS Cluster system. However, you cannot physically remove the AlphaStation system, because that would leave an unterminated SCSI bus.

If you need the ability to remove a system while your OpenVMS Cluster system remains operational, build your system using DWZZx converters, as described in Section A.5.1.2. If you need continuous access to data if a SCSI interconnect fails, you should do both of the following:

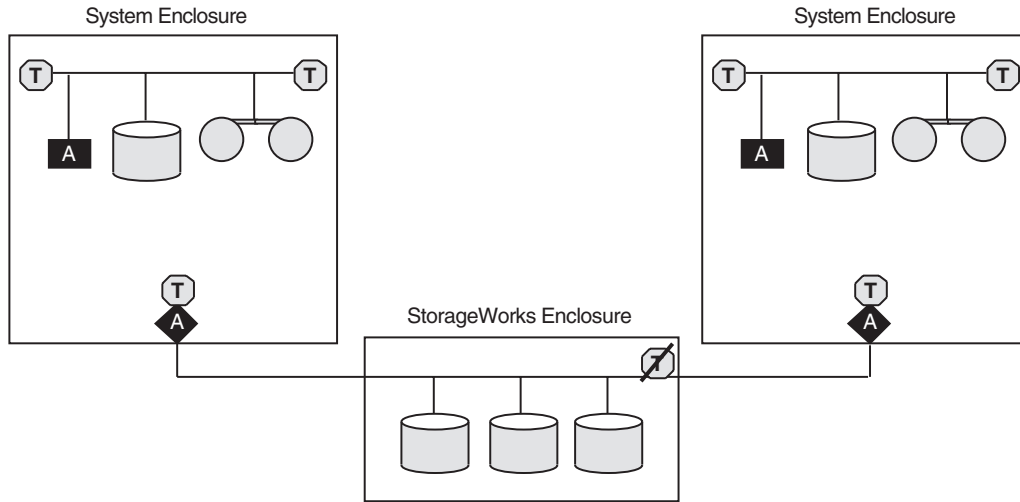
- Add a redundant SCSI interconnect with another BA350 shelf.
- Shadow the data.

# SCSI as an OpenVMS Cluster Interconnect

## A.5 SCSI OpenVMS Cluster Hardware Configurations

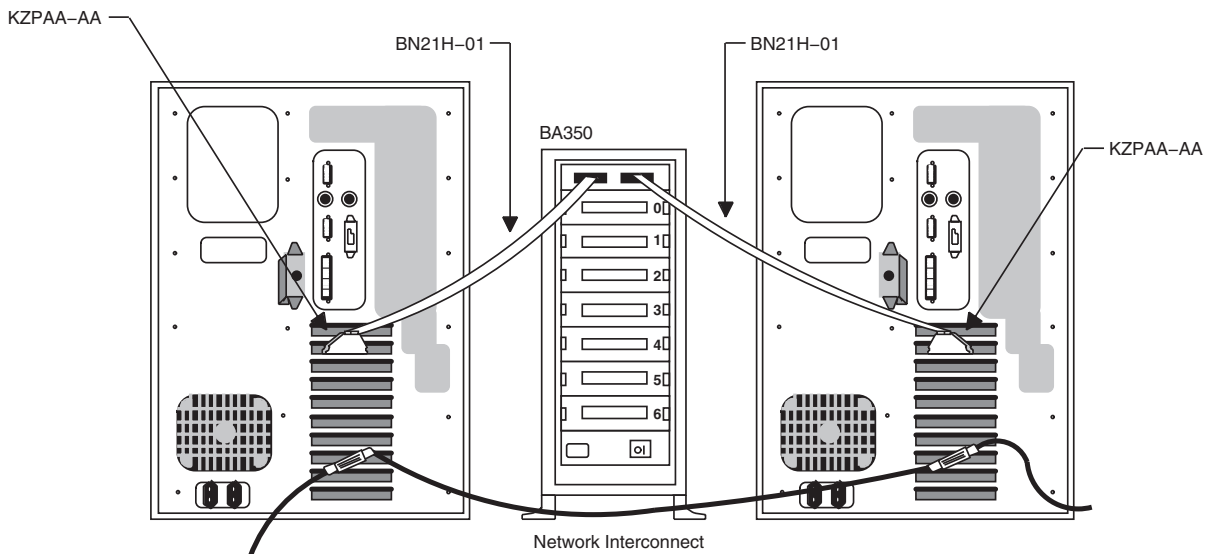
In Figure A-4 and the other logical configuration diagrams in this appendix, the required network interconnect is not shown.

**Figure A-4 Conceptual View: Basic SCSI System**



ZK-7501A-GE

**Figure A-5 Sample Configuration: Basic SCSI System Using AlphaServer 1000, KZPAA Adapter, and BA350 Enclosure**



ZK-7449A-GE

## SCSI as an OpenVMS Cluster Interconnect

### A.5 SCSI OpenVMS Cluster Hardware Configurations

#### A.5.1.2 Building a System with More Enclosures or Greater Separation or with HSZ Controllers

If you need additional enclosures, or if the needs of your site require a greater physical separation between systems, or if you plan to use HSZ controllers, you can use a configuration in which DWZZ $x$  converters are placed between systems with single-ended signaling and a differential-cabled SCSI bus.

DWZZ $x$  converters provide additional SCSI bus length capabilities, because the DWZZ $x$  allows you to connect a single-ended device to a bus that uses differential signaling. As described in Section A.4.3, SCSI bus configurations that use differential signaling may span distances up to 25 m, whereas single-ended configurations can span only 3 m when fast-mode data transfer is used.

DWZZ $x$  converters are available as standalone, desktop components or as StorageWorks compatible building blocks. DWZZ $x$  converters can be used with the internal SCSI adapter or the optional KZPAA adapters.

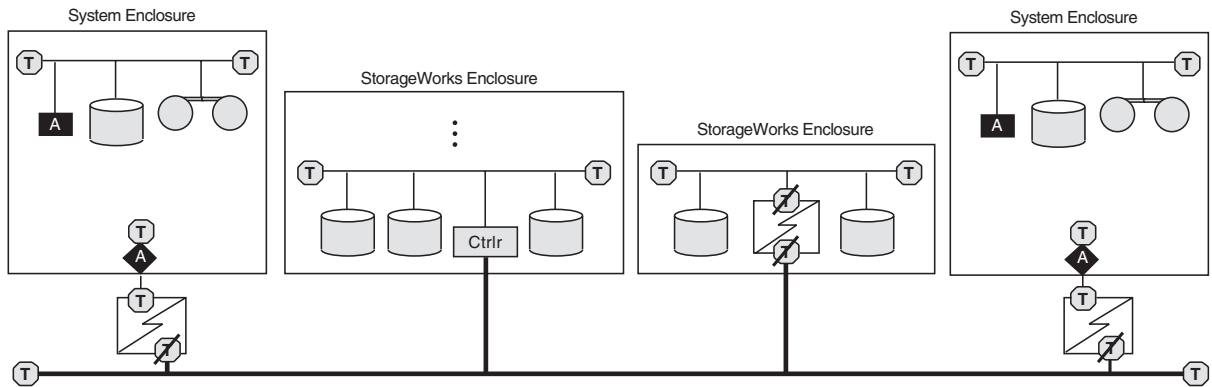
The HSZ40 is a high-performance differential SCSI controller that can be connected to a differential SCSI bus, and supports up to 72 SCSI devices. An HSZ40 can be configured on a shared SCSI bus that includes DWZZ $x$  single-ended to differential converters. Disk devices configured on HSZ40 controllers can be combined into RAID sets to further enhance performance and provide high availability.

# SCSI as an OpenVMS Cluster Interconnect

## A.5 SCSI OpenVMS Cluster Hardware Configurations

Figure A-6 shows a logical view of a configuration that uses additional DWZZAs to increase the potential physical separation (or to allow for additional enclosures and HSZ40s), and Figure A-7 shows a sample representation of this configuration.

**Figure A-6 Conceptual View: Using DWZZAs to Allow for Increased Separation or More Enclosures**

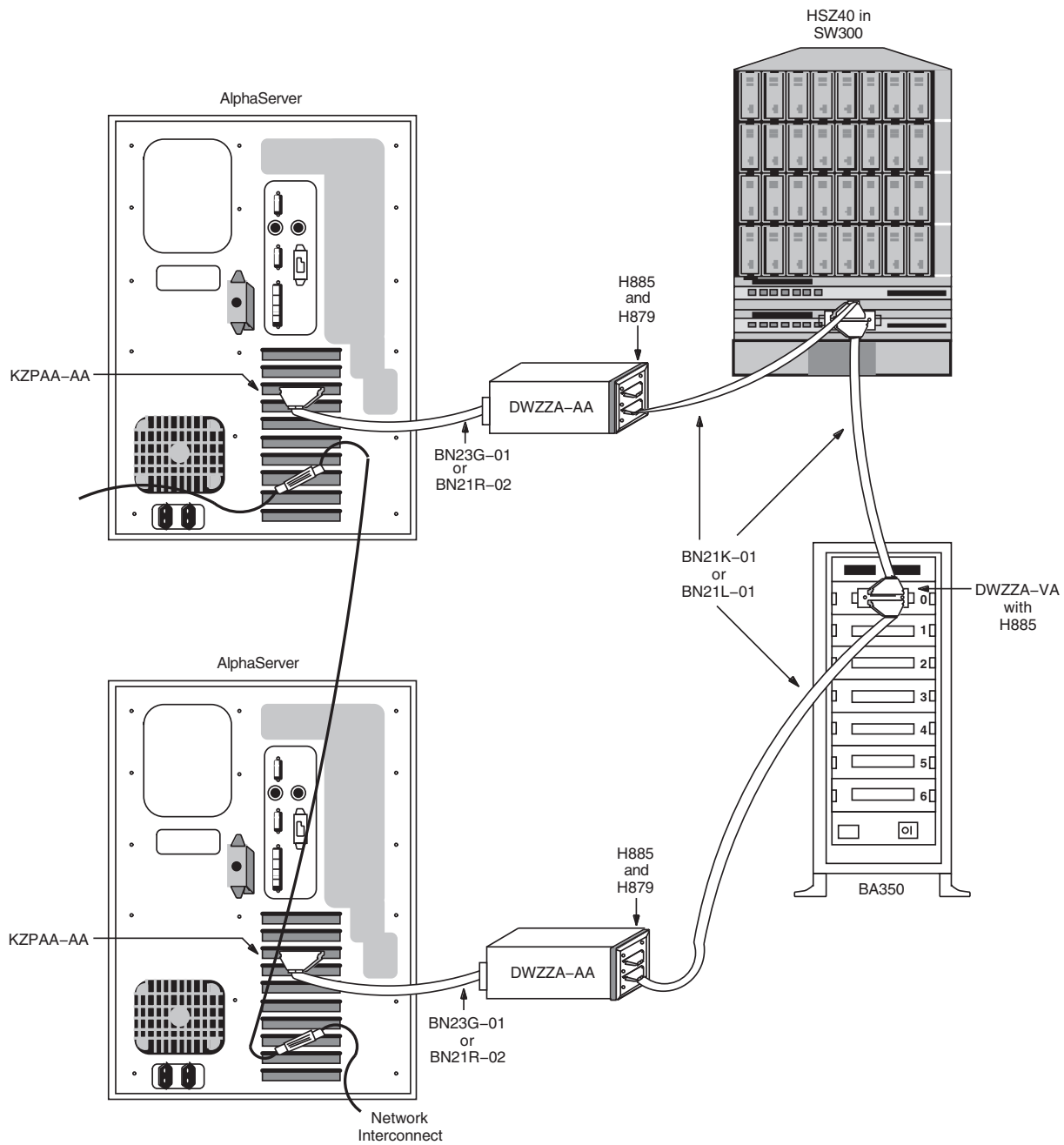


ZK-7482A-GE

# SCSI as an OpenVMS Cluster Interconnect

## A.5 SCSI OpenVMS Cluster Hardware Configurations

Figure A-7 Sample Configuration: Using DWZZAs to Allow for Increased Separation or More Enclosures



ZK-7762A-GE

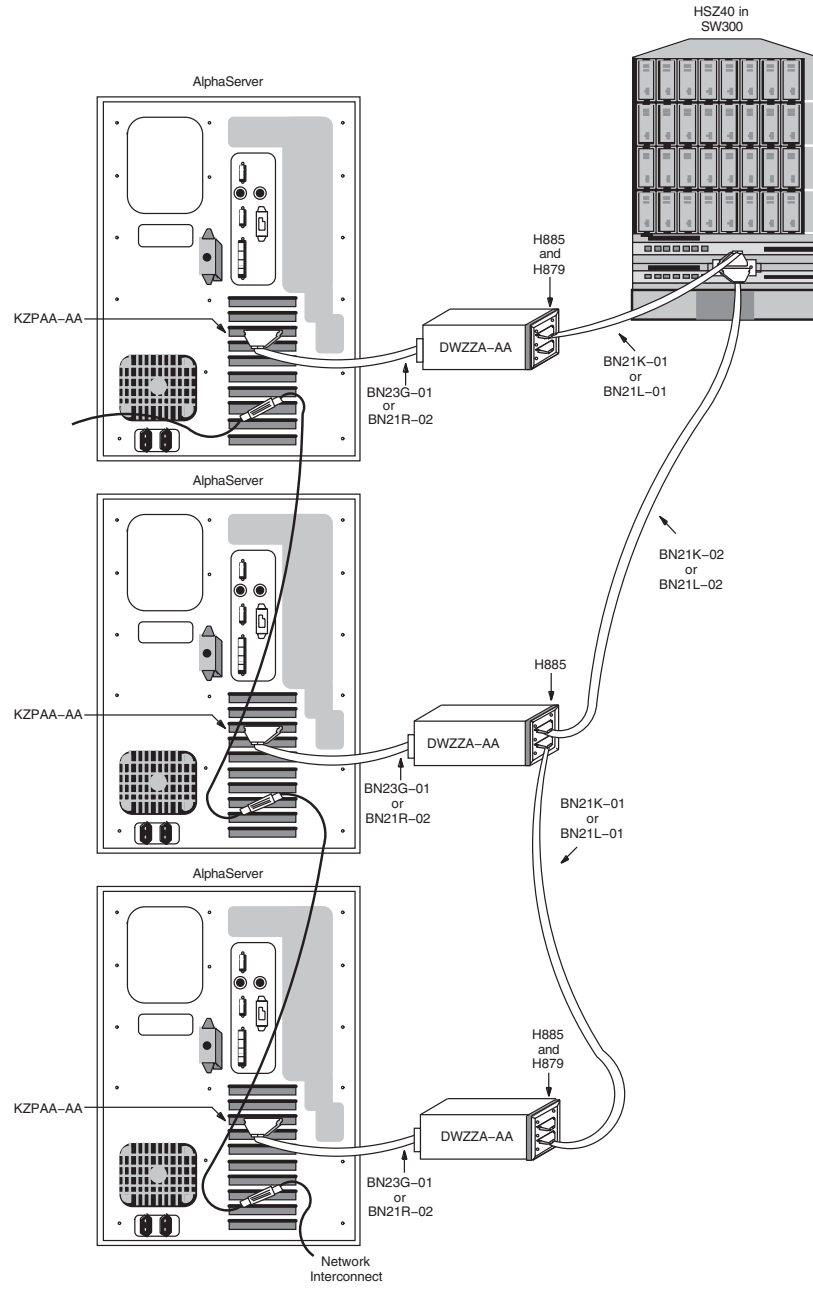


# SCSI as an OpenVMS Cluster Interconnect

## A.5 SCSI OpenVMS Cluster Hardware Configurations

Figure A-8 shows how a three-host SCSI OpenVMS Cluster system might be configured.

**Figure A-8 Sample Configuration: Three Hosts on a SCSI Bus**



ZK-7499A-GE

## SCSI as an OpenVMS Cluster Interconnect

### A.5 SCSI OpenVMS Cluster Hardware Configurations

#### A.5.1.3 Building a System That Uses Differential Host Adapters

Figure A–9 is a sample configuration with two KZPSA adapters on the same SCSI bus. In this configuration, the SCSI termination has been removed from the KZPSA, and external terminators have been installed on “Y” cables. This allows you to remove the KZPSA adapter from the SCSI bus without rendering the SCSI bus inoperative. The capability of removing an individual system from your SCSI OpenVMS Cluster configuration (for maintenance or repair) while the other systems in the cluster remain active gives you an especially high level of availability.

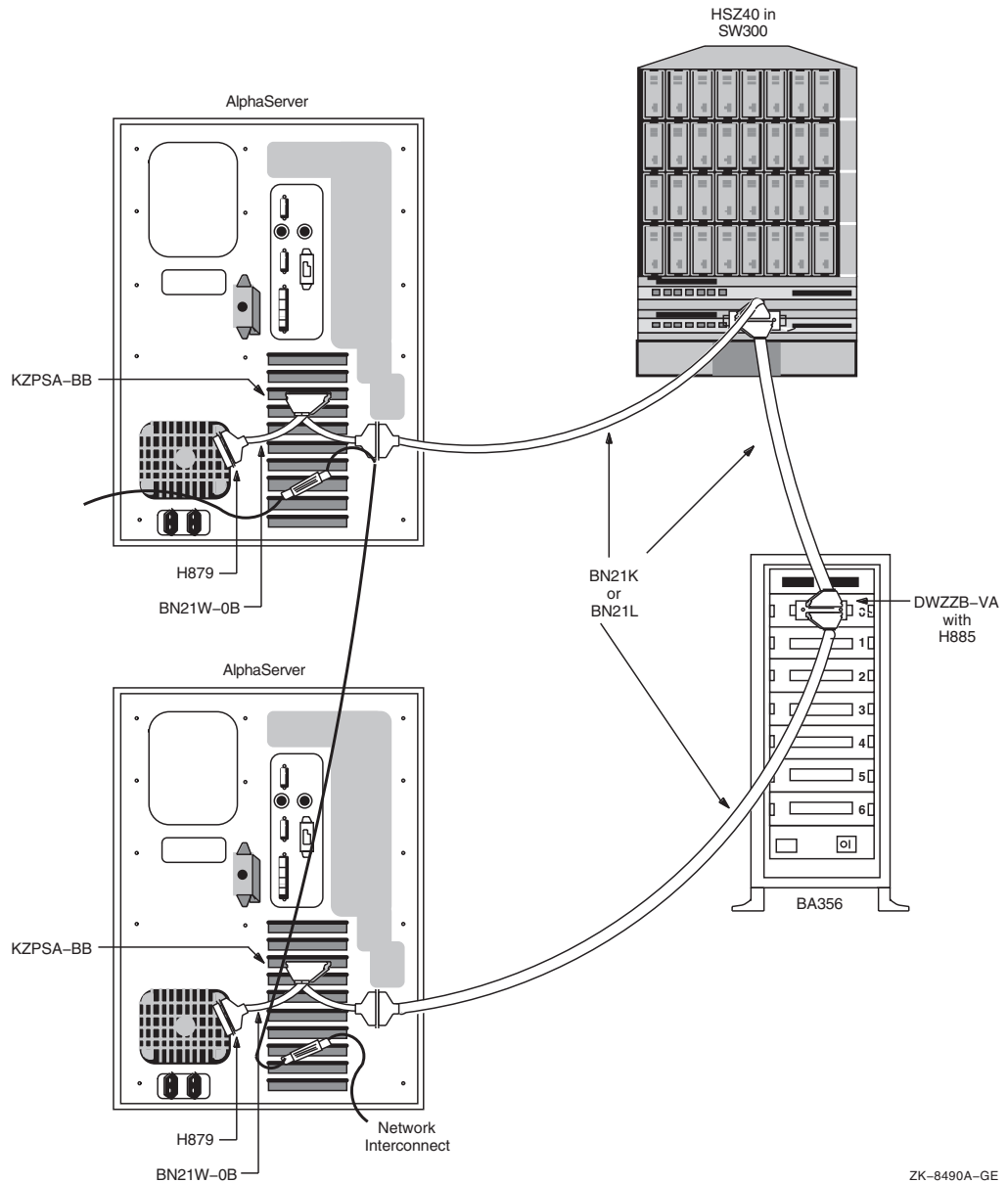
Please note the following about Figure A–9:

- Termination is removed from the host adapter.
- Termination for the single-ended bus inside the BA356 is provided by the DWZZB in slot 0 and by the automatic terminator on the personality module. (No external cables or terminators are attached to the personality module.)
- The DWZZB’s differential termination is removed.

# SCSI as an OpenVMS Cluster Interconnect

## A.5 SCSI OpenVMS Cluster Hardware Configurations

Figure A-9 Sample Configuration: SCSI System Using Differential Host Adapters (KZPSA)



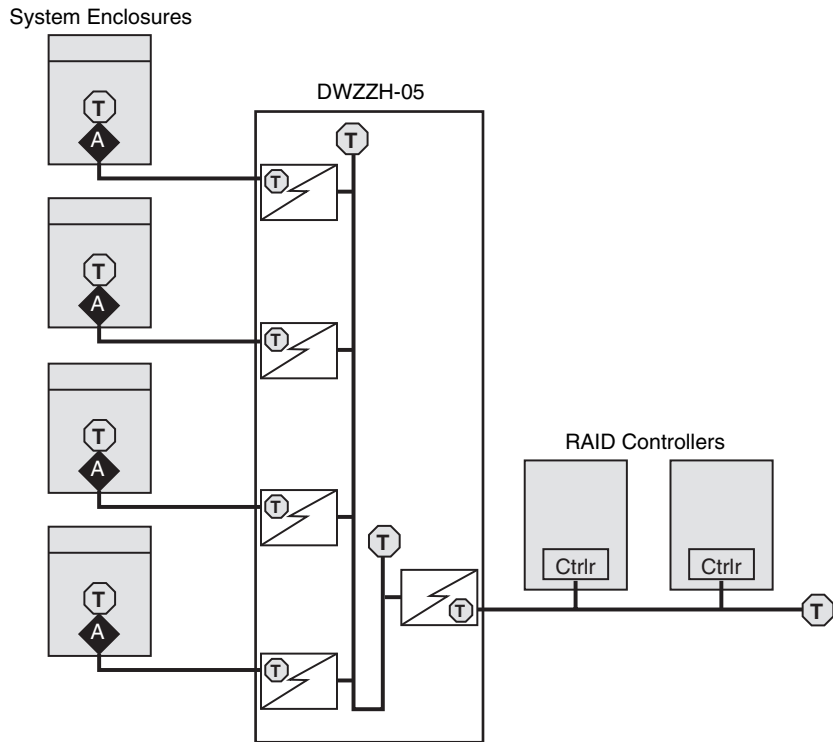
The differential SCSI bus in the configuration shown in Figure A-9 is chained from enclosure to enclosure and is limited to 25 m in length. (The BA356 does not add to the differential SCSI bus length. The differential bus consists only of the BN21W-0B “Y” cables and the BN21K/BN21L cables.) In configurations where this cabling scheme is inconvenient or where it does not provide adequate distance, an alternative radial scheme can be used.

The radial SCSI cabling alternative is based on a SCSI hub. Figure A-10 shows a logical view of the SCSI hub configuration, and Figure A-11 shows a sample representation of this configuration.

# SCSI as an OpenVMS Cluster Interconnect

## A.5 SCSI OpenVMS Cluster Hardware Configurations

Figure A-10 Conceptual View: SCSI System Using a SCSI Hub



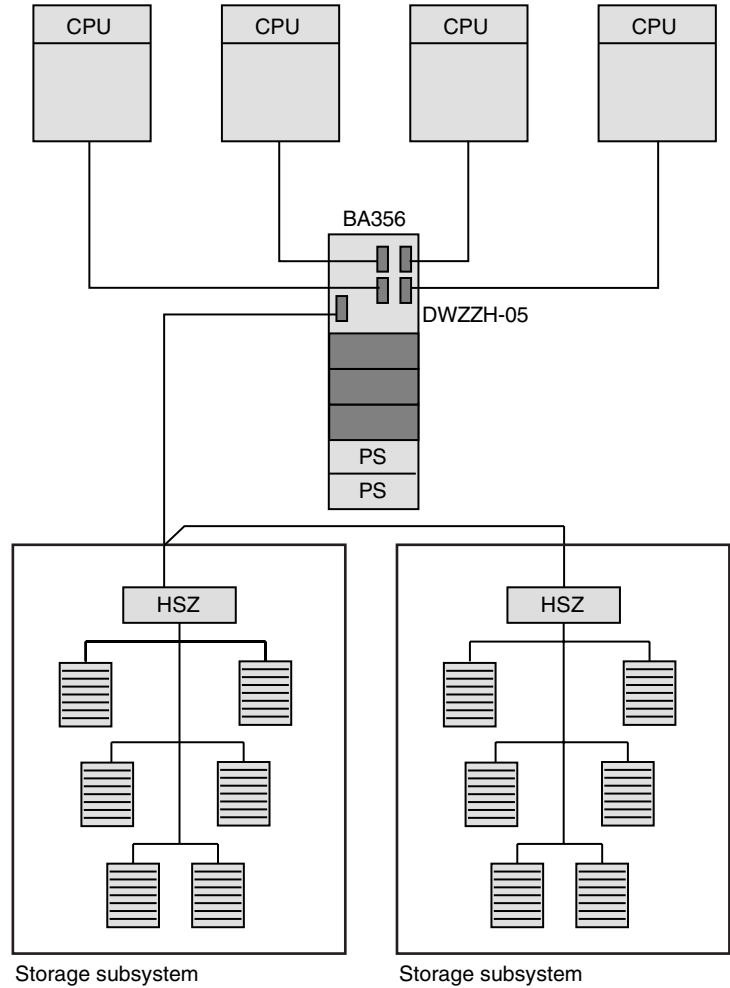
VM-0230A-AI

# SCSI as an OpenVMS Cluster Interconnect

## A.5 SCSI OpenVMS Cluster Hardware Configurations

Figure A-11 shows a sample representation of a SCSI hub configuration.

**Figure A-11 Sample Configuration: SCSI System with SCSI Hub Configuration**



VM-0216A-AI

## A.6 Installation

This section describes the steps required to set up and install the hardware in a SCSI OpenVMS Cluster system. The assumption in this section is that a new OpenVMS Cluster system, based on a shared SCSI bus, is being created. If, on the other hand, you are adding a shared SCSI bus to an existing OpenVMS Cluster configuration, then you should integrate the procedures in this section with those described in *HP OpenVMS Cluster Systems* to formulate your overall installation plan.

Table A-5 lists the steps required to set up and install the hardware in a SCSI OpenVMS Cluster system.

## SCSI as an OpenVMS Cluster Interconnect

### A.6 Installation

**Table A–5 Steps for Installing a SCSI OpenVMS Cluster System**

Step	Description	Reference
1	Ensure proper grounding between enclosures.	Section A.6.1 and Section A.7.8
2	Configure SCSI host IDs.	Section A.6.2
3	Power up the system and verify devices.	Section A.6.3
4	Set SCSI console parameters.	Section A.6.4
5	Install the OpenVMS operating system.	Section A.6.5
6	Configure additional systems.	Section A.6.6

#### A.6.1 Step 1: Meet SCSI Grounding Requirements

You must ensure that your electrical power distribution systems meet local requirements (for example, electrical codes) prior to installing your OpenVMS Cluster system. If your configuration consists of two or more enclosures connected by a common SCSI interconnect, you must also ensure that the enclosures are properly grounded. Proper grounding is important for safety reasons and to ensure the proper functioning of the SCSI interconnect.

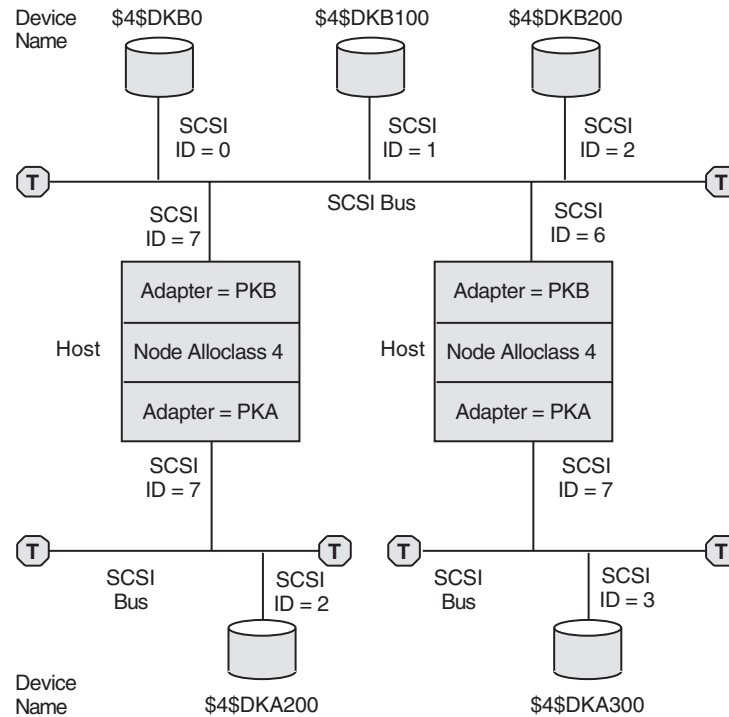
Electrical work should be done by a qualified professional. Section A.7.8 includes details of the grounding requirements for SCSI systems.

#### A.6.2 Step 2: Configure SCSI Node IDs

This section describes how to configure SCSI node and device IDs. SCSI IDs must be assigned separately for multihost SCSI buses and single-host SCSI buses.

Figure A–12 shows two hosts; each one is configured with a single-host SCSI bus and shares a multihost SCSI bus. (See Figure A–1 for the key to the symbols used in this figure.)

Figure A–12 Setting Allocation Classes for SCSI Access



ZK-7483A-GE

The following sections describe how IDs are assigned in this type of multihost SCSI configuration. For more information about this topic, see *HP OpenVMS Cluster Systems*.

#### A.6.2.1 Configuring Device IDs on Multihost SCSI Buses

When configuring multihost SCSI buses, adhere to the following rules:

- Set each host adapter on the multihost bus to a different ID. Start by assigning ID 7, then ID 6, and so on, using decreasing ID numbers. If a host has two multihost SCSI buses, allocate an ID to each SCSI adapter separately. There is no requirement that you set the adapters to the same ID, although using the same ID may simplify configuration management. (Section A.6.4 describes how to set host IDs for the internal adapter using SCSI console parameters.)
- When assigning IDs to devices and storage controllers connected to multihost SCSI buses, start at ID 0 (zero), assigning the highest ID numbers to the disks that require the fastest I/O response time.
- Devices connected to a multihost SCSI bus must have the same name as viewed from each host. To achieve this, you must do one of the following:
  - Ensure that all hosts connected to a multihost SCSI bus are set to the same node allocation class, and all host adapters connected to a multihost SCSI bus have the same controller letter, as shown in Figure A–12.
  - Use port allocation classes (see *HP OpenVMS Cluster Systems*) or HSZ allocation classes (see Section 6.5.3).

## SCSI as an OpenVMS Cluster Interconnect

### A.6 Installation

#### A.6.2.2 Configuring Device IDs on Single-Host SCSI Buses

The device ID selection depends on whether you are using a node allocation class or a port allocation class. The following discussion applies to node allocation classes. Refer to *HP OpenVMS Cluster Systems* for a discussion of port allocation classes.

In multihost SCSI configurations, device names generated by OpenVMS use the format `$allocation_class$DKA300`. You set the allocation class using the `ALLOCLASS` system parameter. OpenVMS generates the controller letter (for example, A, B, C, and so forth) at boot time by allocating a letter to each controller. The unit number (for example, 0, 100, 200, 300, and so forth) is derived from the SCSI device ID.

When configuring devices on single-host SCSI buses that are part of a multihost SCSI configuration, take care to ensure that the disks connected to the single-host SCSI buses have unique device names. Do this by assigning different IDs to devices connected to single-host SCSI buses with the same controller letter on systems that use the same allocation class. Note that the device names must be different, even though the bus is not shared.

For example, in Figure A-12, the two disks at the bottom of the picture are located on SCSI bus A of two systems that use the same allocation class. Therefore, they have been allocated different device IDs (in this case, 2 and 3).

For a given allocation class, SCSI device type, and controller letter (in this example, `$4$DKA`), there can be up to eight devices in the cluster, one for each SCSI bus ID. To use all eight IDs, it is necessary to configure a disk on one SCSI bus at the same ID as a processor on another bus. See Section A.7.5 for a discussion of the possible performance impact this can have.

SCSI bus IDs can be effectively “doubled up” by configuring different SCSI device types at the same SCSI ID on different SCSI buses. For example, device types `DK` and `MK` could produce `$4$DKA100` and `$4$MKA100`.

#### A.6.3 Step 3: Power Up and Verify SCSI Devices

After connecting the SCSI cables, power up the system. Enter a console `SHOW DEVICE` command to verify that all devices are visible on the SCSI interconnect.

If there is a SCSI ID conflict, the display may omit devices that are present, or it may include nonexistent devices. If the display is incorrect, then check the SCSI ID jumpers on devices, the automatic ID assignments provided by the StorageWorks shelves, and the console settings for host adapter and `HSZxx` controller IDs. If changes are made, type `INIT`, then `SHOW DEVICE` again. If problems persist, check the SCSI cable lengths and termination.



## SCSI as an OpenVMS Cluster Interconnect

### A.6 Installation

Example A-1 is a sample output from a console SHOW DEVICE command. This system has one host SCSI adapter on a private SCSI bus (PKA0), and two additional SCSI adapters (PKB0 and PKC0), each on separate, shared SCSI buses.

#### Example A-1 SHOW DEVICE Command Sample Output

```
>>>SHOW DEVICE
dka0.0.0.6.0          DKA0          RZ26L  442D
dka400.4.0.6.0       DKA400        RRD43  2893
dkb100.1.0.11.0      DKB100        RZ26   392A
dkb200.2.0.11.0      DKB200        RZ26L  442D
dkc400.4.0.12.0      DKC400        HSZ40  V25
dkc401.4.0.12.0      DKC401        HSZ40  V25
dkc500.5.0.12.0      DKC500        HSZ40  V25
dkc501.5.0.12.0      DKC501        HSZ40  V25
dkc506.5.0.12.0      DKC506        HSZ40  V25
dva0.0.0.0.1         DVA0
jkb700.7.0.11.0      JKB700        OpenVMS V62
jkc700.7.0.12.0      JKC700        OpenVMS V62
mka300.3.0.6.0       MKA300        TLZ06  0389
era0.0.0.2.1         ERA0          08-00-2B-3F-3A-B9
pka0.7.0.6.0         PKA0          SCSI Bus ID 7
pkb0.6.0.11.0        PKB0          SCSI Bus ID 6
pkc0.6.0.12.0        PKC0          SCSI Bus ID 6
```

The following list describes the device names in the preceding example:

- DK devices represent SCSI disks. Disks connected to the SCSI bus controlled by adapter PKA are given device names starting with the letters DKA. Disks on additional buses are named according to the host adapter name in a similar manner (DKB devices on adapter PKB, and so forth).

The next character in the device name represents the device's SCSI ID. Make sure that the SCSI ID for each device is unique for the SCSI bus to which it is connected.

- The last digit in the DK device name represents the LUN number. The HSZ40 virtual DK device in this example is at SCSI ID 4, LUN 1. Note that some systems do not display devices that have nonzero LUNs.
- JK devices represent nondisk or nontape devices on the SCSI interconnect. In this example, JK devices represent other processors on the SCSI interconnect that are running the OpenVMS operating system. If the other system is not running, these JK devices do not appear in the display. In this example, the other processor's adapters are at SCSI ID 7.
- MK devices represent SCSI tapes. The A in device MKA300 indicates that it is attached to adapter PKA0, the private SCSI bus.
- PK devices represent the local SCSI adapters. The SCSI IDs for these adapters is displayed in the rightmost column. Make sure this is different from the IDs used by other devices and host adapters on its bus.

The third character in the device name (in this example, a) is assigned by the system so that each adapter has a unique name on that system. The fourth character is always zero.

## SCSI as an OpenVMS Cluster Interconnect

### A.6 Installation

#### A.6.4 Step 4: Show and Set SCSI Console Parameters

When creating a SCSI OpenVMS Cluster system, you need to verify the settings of the console environment parameters shown in Table A–6 and, if necessary, reset their values according to your configuration requirements.

Table A–6 provides a brief description of SCSI console parameters. Refer to your system-specific documentation for complete information about setting these and other system parameters.

---

#### Note

---

The console environment parameters vary, depending on the host adapter type. Refer to the Installation and User's Guide for your adapter.

---

**Table A–6 SCSI Environment Parameters**

Parameter	Description
<code>bootdef_dev</code> <i>device_name</i>	Specifies the default boot device to the system.
<code>boot_osflags</code> <i>root_number,bootflag</i>	The <code>boot_osflags</code> variable contains information that is used by the operating system to determine optional aspects of a system bootstrap (for example, conversational bootstrap).
<code>pk*0_disconnect</code>	Allows the target to disconnect from the SCSI bus while the target acts on a command. When this parameter is set to 1, the target is allowed to disconnect from the SCSI bus while processing a command. When the parameter is set to 0, the target retains control of the SCSI bus while acting on a command.
<code>pk*0_fast</code>	Enables SCSI adapters to perform in fast SCSI mode. When this parameter is set to 1, the default speed is set to fast mode; when the parameter is 0, the default speed is standard mode.
<code>pk*0_host_id</code>	Sets the SCSI device ID of host adapters to a value between 0 and 7.
<code>scsi_poll</code>	Enables console polling on all SCSI interconnects when the system is halted.
<code>control_scsi_term</code>	Enables and disables the terminator on the integral SCSI interconnect at the system bulkhead (for some systems).

---

---

#### Note

---

If you need to modify any parameters, first change the parameter (using the appropriate console SET command). Then enter a console INIT command or press the Reset button to make the change effective.

---

### Examples

Before setting boot parameters, display the current settings of these parameters, as shown in the following examples:

1.

```
>>>SHOW *BOOT*  
  
boot_osflags          10,0  
boot_reset            OFF  
bootdef_dev           dka200.2.0.6.0  
>>>
```

The first number in the `boot_osflags` parameter specifies the system root. (In this example, the first number is 10.) The `boot_reset` parameter controls the boot process. The default boot device is the device from which the OpenVMS operating system is loaded. Refer to the documentation for your specific system for additional booting information.

Note that you can identify multiple boot devices to the system. By doing so, you cause the system to search for a bootable device from the list of devices that you specify. The system then automatically boots from the first device on which it finds bootable system software. In addition, you can override the default boot device by specifying an alternative device name on the boot command line.

Typically, the default boot flags suit your environment. You can override the default boot flags by specifying boot flags dynamically on the boot command line with the `-flags` option.

2.

```
>>>SHOW *PK*  
  
pka0_disconnect       1  
pka0_fast              1  
pka0_host_id          7
```

The `pk*0_disconnect` parameter determines whether or not a target is allowed to disconnect from the SCSI bus while it acts on a command. On a multihost SCSI bus, the `pk*0_disconnect` parameter *must* be set to 1, so that disconnects can occur.

The `pk*0_fast` parameter controls whether fast SCSI devices on a SCSI controller perform in standard or fast mode. When the parameter is set to 0, the default speed is set to standard mode; when the `pk*0_fast` parameter is set to 1, the default speed is set to fast SCSI mode. In this example, devices on SCSI controller `pka0` are set to fast SCSI mode. This means that both standard and fast SCSI devices connected to this controller will automatically perform at the appropriate speed for the device (that is, in either fast or standard mode).

The `pk*0_host_id` parameter assigns a bus node ID for the specified host adapter. In this example, `pka0` is assigned a SCSI device ID of 7.

3.

```
>>>SHOW *POLL*  
scsi_poll              ON
```

Enables or disables polling of SCSI devices while in console mode.

## SCSI as an OpenVMS Cluster Interconnect

### A.6 Installation

Set polling ON or OFF depending on the needs and environment of your site. When polling is enabled, the output of the SHOW DEVICE is always up to date. However, because polling can consume SCSI bus bandwidth (proportional to the number of unused SCSI IDs), you might want to disable polling if one system on a multihost SCSI bus will be in console mode for an extended time.

Polling *must* be disabled during any hot-plugging operations. For information about hot plugging in a SCSI OpenVMS Cluster environment, see Section A.7.6.

4.

```
>>>SHOW *TERM*
control_scsi_term      external
```

Used on some systems (such as the AlphaStation 400) to enable or disable the SCSI terminator next to the external connector. Set the control\_scsi\_term parameter to external if a cable is attached to the bulkhead. Otherwise, set the parameter to internal.

#### A.6.5 Step 5: Install the OpenVMS Operating System

Refer to the OpenVMS Alpha or VAX upgrade and installation manual for information about installing the OpenVMS operating system. Perform the installation once for each system disk in the OpenVMS Cluster system. In most configurations, there is a single system disk. Therefore, you need to perform this step once, using any system.

During the installation, when you are asked if the system is to be a cluster member, answer Yes. Then, complete the installation according to the guidelines provided in *HP OpenVMS Cluster Systems*.

#### A.6.6 Step 6: Configure Additional Systems

Use the CLUSTER\_CONFIG command procedure to configure additional systems. Execute this procedure once for the second host that you have configured on the SCSI bus. (See Section A.7.1 for more information.)

### A.7 Supplementary Information

The following sections provide supplementary technical detail and concepts about SCSI OpenVMS Cluster systems.

#### A.7.1 Running the OpenVMS Cluster Configuration Command Procedure

You execute either the CLUSTER\_CONFIG.COM or the CLUSTER\_CONFIG\_LAN.COM command procedure to set up and configure nodes in your OpenVMS Cluster system. Your choice of command procedure depends on whether you use DECnet or the LANCP utility for booting. CLUSTER\_CONFIG.COM uses DECnet; CLUSTER\_CONFIG\_LAN.COM uses the LANCP utility. (For information about using both procedures, see *HP OpenVMS Cluster Systems*.)

Typically, the first computer is set up as an OpenVMS Cluster system during the initial OpenVMS installation procedure (see Section A.6.5). The CLUSTER\_CONFIG procedure is then used to configure additional nodes. However, if you originally installed OpenVMS without enabling clustering, the first time you run CLUSTER\_CONFIG, the procedure converts the standalone system to a cluster system.

## SCSI as an OpenVMS Cluster Interconnect A.7 Supplementary Information

To configure additional nodes in a SCSI cluster, execute CLUSTER\_CONFIG.COM for each additional node. Table A-7 describes the steps to configure additional SCSI nodes.

**Table A-7 Steps for Installing Additional Nodes**

Step	Procedure
1	From the first node, run the CLUSTER_CONFIG.COM procedure and select the default option [1] for ADD.
2	Answer Yes when CLUSTER_CONFIG.COM asks whether you want to proceed.
3	Supply the DECnet name and address of the node that you are adding to the existing single-node cluster.
4	Confirm that this will be a node with a shared SCSI interconnect.
5	Answer No when the procedure asks whether this node will be a satellite.
6	Configure the node to be a disk server if it will serve disks to other cluster members.
7	Place the new node's system root on the default device offered.
8	Select a system root for the new node. The first node uses SYS0. Take the default (SYS10 for the first additional node), or choose your own root numbering scheme. You can choose from SYS1 to SYS $n$ , where $n$ is hexadecimal FFFF.
9	Select the default disk allocation class so that the new node in the cluster uses the same ALLOCLASS as the first node.
10	Confirm whether or not there is a quorum disk.
11	Answer the questions about the sizes of the page file and swap file.
12	When CLUSTER_CONFIG.COM completes, boot the new node from the new system root. For example, for SYSFF on disk DKA200, enter the following command: <pre>BOOT -FL FF,0 DKA200</pre> In the BOOT command, you can use the following flags: <ul style="list-style-type: none"><li>• -FL indicates boot flags.</li><li>• FF is the new system root.</li><li>• 0 means there are no special boot requirements, such as conversational boot.</li></ul>

You can run the CLUSTER\_CONFIG.COM procedure to set up an additional node in a SCSI cluster, as shown in Example A-2.

### Example A-2 Adding a Node to a SCSI Cluster

```
$ @SYS$MANAGER:CLUSTER_CONFIG
```

```
Cluster Configuration Procedure
```

```
Use CLUSTER_CONFIG.COM to set up or change an OpenVMS Cluster configuration. To ensure that you have the required privileges, invoke this procedure from the system manager's account.
```

```
Enter ? for help at any prompt.
```

(continued on next page)

## SCSI as an OpenVMS Cluster Interconnect

### A.7 Supplementary Information

#### Example A-2 (Cont.) Adding a Node to a SCSI Cluster

1. ADD a node to a cluster.
2. REMOVE a node from the cluster.
3. CHANGE a cluster member's characteristics.
4. CREATE a duplicate system disk for CLU21.
5. EXIT from this procedure.

Enter choice [1]:

The ADD function adds a new node to a cluster.

If the node being added is a voting member, EXPECTED\_VOTES in every cluster member's MODPARAMS.DAT must be adjusted, and the cluster must be rebooted.

WARNING - If this cluster is running with multiple system disks and if common system files will be used, please, do not proceed unless you have defined appropriate logical names for cluster common files in SYLOGICALS.COM. For instructions, refer to the OpenVMS Cluster Systems manual.

Do you want to continue [N]? y

If the new node is a satellite, the network databases on CLU21 are updated. The network databases on all other cluster members must be updated.

For instructions, refer to the OpenVMS Cluster Systems manual.

What is the node's DECnet node name? SATURN

What is the node's DECnet node address? 7.77

Is SATURN to be a clustered node with a shared SCSI bus (Y/N)? y

Will SATURN be a satellite [Y]? N

Will SATURN be a boot server [Y]?

This procedure will now ask you for the device name of SATURN's system root. The default device name (DISK\$BIG\_X5T5:) is the logical volume name of SYS\$SYSDEVICE:.

What is the device name for SATURN's system root [DISK\$BIG\_X5T5:]?

What is the name of SATURN's system root [SYS10]? SYS2

Creating directory tree SYS2 ...

System root SYS2 created

NOTE:

All nodes on the same SCSI bus must be members of the same cluster and must all have the same non-zero disk allocation class or each will have a different name for the same disk and data corruption will result.

Enter a value for SATURN's ALLOCLASS parameter [7]:

Does this cluster contain a quorum disk [N]?

Updating network database...

Size of pagefile for SATURN [10000 blocks]?

.  
.  
.

#### A.7.2 Error Reports and OPCOM Messages in Multihost SCSI Environments

Certain common operations, such as booting or shutting down a host on a multihost SCSI bus, can cause other hosts on the SCSI bus to experience errors. In addition, certain errors that are unusual in a single-host SCSI configuration may occur more frequently on a multihost SCSI bus.

These errors are transient errors that OpenVMS detects, reports, and recovers from without losing data or affecting applications that are running. This section describes the conditions that generate these errors and the messages that are displayed on the operator console and entered into the error log.

#### A.7.2.1 SCSI Bus Resets

When a host connected to a SCSI bus first starts, either by being turned on or by rebooting, it does not know the state of the SCSI bus and the devices on it. The ANSI SCSI standard provides a method called BUS RESET to force the bus and its devices into a known state. A host typically asserts a RESET signal one or more times on each of its SCSI buses when it first starts up and when it shuts down. While this is a normal action on the part of the host asserting RESET, other hosts consider this RESET signal an error because RESET requires that the hosts abort and restart all I/O operations that are in progress.

A host may also reset the bus in the midst of normal operation if it detects a problem that it cannot correct in any other way. These kinds of resets are uncommon, but they occur most frequently when something on the bus is disturbed. For example, an attempt to hot plug a SCSI device while the device is still active (see Section A.7.6) or halting one of the hosts with Ctrl/P can cause a condition that forces one or more hosts to issue a bus reset.

#### A.7.2.2 SCSI Timeouts

When a host exchanges data with a device on the SCSI bus, there are several different points where the host must wait for the device or the SCSI adapter to react. In an OpenVMS system, the host is allowed to do other work while it is waiting, but a timer is started to make sure that it does not wait too long. If the timer expires without a response from the SCSI device or adapter, this is called a timeout.

There are three kinds of timeouts:

- Disconnect timeout—The device accepted a command from the host and disconnected from the bus while it processed the command but never reconnected to the bus to finish the transaction. This error happens most frequently when the bus is very busy. See Section A.7.5 for more information. The disconnect timeout period varies with the device, but for most disks, it is about 20 seconds.
- Selection timeout—The host tried to send a command to a device on the SCSI bus, but the device did not respond. This condition might happen if the device did not exist or if it were removed from the bus or powered down. (This failure is not more likely with a multi-initiator system; it is mentioned here for completeness.) The selection timeout period is about 0.25 seconds.
- Interrupt timeout—The host expected the adapter to respond for any other reason, but it did not respond. This error is usually an indication of a busy SCSI bus. It is more common if you have initiator unit numbers set low (0 or 1) rather than high (6 or 7). The interrupt timeout period is about 4 seconds.

Timeout errors are not inevitable on SCSI OpenVMS Cluster systems. However, they are more frequent on SCSI buses with heavy traffic and those with two initiators. They do not necessarily indicate a hardware or software problem. If they are logged frequently, you should consider ways to reduce the load on the SCSI bus (for example, adding an additional bus).



## SCSI as an OpenVMS Cluster Interconnect

### A.7 Supplementary Information

#### A.7.2.3 Mount Verify

Mount verify is a condition declared by a host about a device. The host declares this condition in response to a number of possible transient errors, including bus resets and timeouts. When a device is in the mount verify state, the host suspends normal I/O to it until the host can determine that the correct device is there, and that the device is accessible. Mount verify processing then retries outstanding I/Os in a way that insures that the correct data is written or read. Application programs are unaware that a mount verify condition has occurred as long as the mount verify completes.

If the host cannot access the correct device within a certain amount of time, it declares a mount verify timeout, and application programs are notified that the device is unavailable. Manual intervention is required to restore a device to service after the host has declared a mount verify timeout. A mount verify timeout usually means that the error is not transient. The system manager can choose the timeout period for mount verify; the default is one hour.

#### A.7.2.4 Shadow Volume Processing

Shadow volume processing is a process similar to mount verify, but it is for shadow set members. An error on one member of a shadow set places the set into the volume processing state, which blocks I/O while OpenVMS attempts to regain access to the member. If access is regained before shadow volume processing times out, then the outstanding I/Os are reissued and the shadow set returns to normal operation. If a timeout occurs, then the failed member is removed from the set. The system manager can select one timeout value for the system disk shadow set, and one for application shadow sets. The default value for both timeouts is 20 seconds.

---

#### Note

---

The SCSI disconnect timeout and the default shadow volume processing timeout are the same. If the SCSI bus is heavily utilized so that disconnect timeouts may occur, it may be desirable to increase the value of the shadow volume processing timeout. (A recommended value is 60 seconds.) This may prevent shadow set members from being expelled when they experience disconnect timeout errors.

---

#### A.7.2.5 Expected OPCOM Messages in Multihost SCSI Environments

When a bus reset occurs, an OPCOM message is displayed as each mounted disk enters and exits mount verification or shadow volume processing.

When an I/O to a drive experiences a timeout error, an OPCOM message is displayed as that drive enters and exits mount verification or shadow volume processing.

If a quorum disk on the shared SCSI bus experiences either of these errors, then additional OPCOM messages may appear, indicating that the connection to the quorum disk has been lost and regained.



**A.7.2.6 Error Log Basics**

In the OpenVMS system, the Error Log utility allows device drivers to save information about unusual conditions that they encounter. In the past, most of these unusual conditions have happened as a result of errors such as hardware failures, software failures, or transient conditions (for example, loose cables).

If you type the DCL command SHOW ERROR, the system displays a summary of the errors that have been logged since the last time the system booted. For example:

```
$ SHOW ERROR

Device                Error Count
SALT$PKB0:            6
$1$DKB500:           10
PEA0:                 1
SALT$PKA0:            9
$1$DKA0:              0
```

In this case, 6 errors have been logged against host SALT's SCSI port B (PKB0), 10 have been logged against disk \$1\$DKB500, and so forth.

To see the details of these errors, you can use the command ANALYZE/ERROR/SINCE=*dd-mmm-yyyy:hh:mm:ss* at the DCL prompt. The output from this command displays a list of error log entries with information similar to the following:

```
***** ENTRY      2337. *****
ERROR SEQUENCE 6.          LOGGED ON: CPU_TYPE 00000002
DATE/TIME 29-MAY-1995 16:31:19.79      SYS_TYPE 0000000D

<identification information>
      ERROR TYPE      03          COMMAND TRANSMISSION FAILURE
      SCSI ID         01          SCSI ID = 1.
      SCSI LUN        00          SCSI LUN = 0.
      SCSI SUBLUN     00          SCSI SUBLUN = 0.
      PORT STATUS     00000E32    %SYSTEM-E-RETRY, RETRY OPERATION

<additional information>
```

For this discussion, the key elements are the ERROR TYPE and, in some instances, the PORT STATUS fields. In this example, the error type is 03, COMMAND TRANSMISSION FAILURE, and the port status is 00000E32, SYSTEM-E-RETRY.

**A.7.2.7 Error Log Entries in Multihost SCSI Environments**

The error log entries listed in this section are likely to be logged in a multihost SCSI configuration, and you usually do not need to be concerned about them. You should, however, examine any error log entries for messages other than those listed in this section.

- ERROR TYPE 0007, BUS RESET DETECTED
  - Occurs when the other system asserts the SCSI bus reset signal. This happens when:
    - A system's power-up self-test runs.

## SCSI as an OpenVMS Cluster Interconnect

### A.7 Supplementary Information

- A console INIT command is executed.
- The EISA Configuration Utility (ECU) is run.
- The console BOOT command is executed (in this case, several resets occur).
- System shutdown completes.
- The system detects a problem with an adapter or a SCSI bus (for example, an interrupt timeout).

This error causes all mounted disks to enter mount verification.

- **ERROR TYPE 05, EXTENDED SENSE DATA RECEIVED**  
When a SCSI bus is reset, an initiator must get “sense data” from each device. When the initiator gets this data, an EXTENDED SENSE DATA RECEIVED error is logged. This is expected behavior.
- **ERROR TYPE 03, COMMAND TRANSMISSION FAILURE  
PORT STATUS E32, SYSTEM-E-RETRY**  
Occasionally, one host may send a command to a disk while the disk is exchanging error information with the other host. Many disks respond with a SCSI “BUSY” code. The OpenVMS system responds to a SCSI BUSY code by logging this error and retrying the operation. You are most likely to see this error when the bus has been reset recently. This error does not always happen near resets, but when it does, the error is expected and unavoidable.
- **ERROR TYPE 204, TIMEOUT**  
An interrupt timeout has occurred (see Section A.7.2.2). The disk is put into mount verify when this error occurs.
- **ERROR TYPE 104, TIMEOUT**  
A selection timeout has occurred (see Section A.7.2.2). The disk is put into mount verify when this error occurs.

#### A.7.3 Restrictions and Known Problems

The OpenVMS Cluster software has the following restrictions when multiple hosts are configured on the same SCSI bus:

- For versions prior to OpenVMS Alpha Version 7.2, a node’s access to a disk will not fail over from a direct SCSI path to an MSCP served path.

There is also no failover from an MSCP served path to a direct SCSI path. Normally, this type of failover is not a consideration, because when OpenVMS discovers both a direct and a served path, it chooses the direct path permanently. However, you must avoid situations in which the MSCP served path becomes available first and is selected by OpenVMS before the direct path becomes available. To avoid this situation, observe the following rules:

- A node that has a direct path to a SCSI system disk must boot the disk directly from the SCSI port, not over the LAN.
- If a node is running the MSCP server, then a SCSI disk must not be added to the multihost SCSI bus after a second node boots (either by physically inserting it or by reconfiguring an HSZxx).

## SCSI as an OpenVMS Cluster Interconnect A.7 Supplementary Information

If you add a device after two nodes boot and then configure the device using SYSMAN, the device might become visible to one of the systems through the served path before the direct path is visible. Depending upon the timing of various events, this problem can sometimes be avoided by using the following procedure:

```
$ MCR SYSMAN
SYSMAN> SET ENVIRONMENT/CLUSTER
SYSMAN> IO AUTOCONFIGURE
```

To ensure that the direct path to a new device is used (including HSZxx virtual devices), reboot each node after a device is added.

- For versions prior to OpenVMS Alpha Version 7.2, if there are two paths to a device, the \$DEVICE\_SCAN system service and the F\$DEVICE lexical function list each device on a shared bus twice. Devices on the shared bus are also listed twice in the output from the DCL command SHOW DEVICE if you boot a non-SCSI system disk. These double listings are errors in the display programs. They do not indicate a problem or imply that the MSCP served path is being used instead of the direct SCSI path.

- When a system powers up, boots, or shuts down, it resets the SCSI bus. These resets cause other hosts on the SCSI bus to experience I/O errors. For Files-11 volumes, the Mount Verification facility automatically recovers from these errors and completes the I/O. As a result, the user's process continues to run without error.

This level of error recovery is not possible for volumes that are mounted with the /FOREIGN qualifier. Instead, the user's process receives an I/O error notification if it has I/O outstanding when a bus reset occurs.

If possible, avoid mounting foreign devices on multihost SCSI buses. If foreign devices are mounted on the shared bus, make sure that systems on that bus do not assert a SCSI bus reset while I/O is being done to foreign devices.

- When the ARC console is enabled on a multihost SCSI bus, it sets the SCSI target ID for all local host adapters to 7. This setting causes a SCSI ID conflict if there is already a host or device on a bus at ID 7. A conflict of this type typically causes the bus, and possibly all the systems on the bus, to hang.

The ARC console is used to access certain programs, such as the KZPSA configuration utilities. If you must run the ARC console, first disconnect the system from multihost SCSI buses and from buses that have a device at SCSI ID 7.

- Any SCSI bus resets that occur when a system powers up, boots, or shuts down cause other systems on the SCSI bus to log errors and display OPCOM messages. This is expected behavior and does not indicate a problem.
- Abruptly halting a system on a multihost SCSI bus (for example, by pressing Ctrl/P on the console) may leave the KZPAA SCSI adapter in a state that can interfere with the operation of the other host on the bus. You should initialize, boot, or continue an abruptly halted system as soon as possible after it has been halted.
- All I/O to a disk drive must be stopped while its microcode is updated. This typically requires more precautions in a multihost environment than are needed in a single-host environment. Refer to Section A.7.6.3 for the necessary procedures.

## SCSI as an OpenVMS Cluster Interconnect

### A.7 Supplementary Information

- The EISA Configuration Utility (ECU) causes a large number of SCSI bus resets. These resets cause the other system on the SCSI bus to pause while its I/O subsystem recovers. It is suggested (though not required) that both systems on a shared SCSI bus be shut down when the ECU is run.

OpenVMS Cluster systems also place one restriction on the SCSI quorum disk, whether the disk is located on a single-host SCSI bus or a multihost SCSI bus. The SCSI quorum disk must support tagged command queuing (TCQ). This is required because of the special handling that quorum I/O receives in the OpenVMS SCSI drivers.

This restriction is not expected to be significant, because all disks on a multihost SCSI bus must support tagged command queuing (see Section A.7.7), and because quorum disks are normally not used on single-host buses.

#### A.7.4 Troubleshooting

The following sections describe troubleshooting tips for solving common problems in an OpenVMS Cluster system that uses a SCSI interconnect.

##### A.7.4.1 Termination Problems

Verify that two terminators are on every SCSI interconnect (one at each end of the interconnect). The BA350 enclosure, the BA356 enclosure, the DWZZ $x$ , and the KZ $xxx$  adapters have internal terminators that are not visible externally (see Section A.4.4.)

##### A.7.4.2 Booting or Mounting Failures Caused by Incorrect Configurations

OpenVMS automatically detects configuration errors described in this section and prevents the possibility of data loss that could result from such configuration errors, either by bugchecking or by refusing to mount a disk.

**A.7.4.2.1 Bugchecks During the Bootstrap Process** For versions prior to OpenVMS Alpha Version 7.2, there are three types of configuration errors that can cause a bugcheck during booting. The bugcheck code is VAXCLUSTER, Error detected by OpenVMS Cluster software.

When OpenVMS boots, it determines which devices are present on the SCSI bus by sending an inquiry command to every SCSI ID. When a device receives the inquiry, it indicates its presence by returning data that indicates whether it is a disk, tape, or processor.

Some processor devices (host adapters) answer the inquiry without assistance from the operating system; others require that the operating system be running. The adapters supported in OpenVMS Cluster systems require the operating system to be running. These adapters, with the aid of OpenVMS, pass information in their response to the inquiry that allows the recipient to detect the following configuration errors:

- Different controller device names on the same SCSI bus

Unless a port allocation class is being used, the OpenVMS device name of each adapter on the SCSI bus must be identical (for example, all named PKC0). Otherwise, the OpenVMS Cluster software cannot coordinate the host's accesses to storage (see Section A.6.2 and Section A.6.3).

OpenVMS can check this automatically because it sends the controller letter in the inquiry response. A booting system receives this response, and it compares the remote controller letter with the local controller letter. If a mismatch is detected, then an OPCOM message is printed, and the system stops with an VAXCLUSTER bugcheck to prevent the possibility of data

## SCSI as an OpenVMS Cluster Interconnect

### A.7 Supplementary Information

loss. See the description of the NOMATCH error in the Help Message utility. (To use the Help Message utility for NOMATCH, enter HELP/MESSAGE NOMATCH at the DCL prompt.)

- Different or zero allocation class values.

Each host on the SCSI bus must have the same nonzero disk allocation class value, or matching port allocation class values. Otherwise, the OpenVMS Cluster software cannot coordinate the host's accesses to storage (see Section A.6.2 and Section A.6.3).

OpenVMS is able to automatically check this, because it sends the needed information in the inquiry response. A booting system receives this response, and compares the remote value with the local value. If a mismatch or a zero value is detected, then an OPCOM message is printed, and the system stops with a VAXCLUSTER bugcheck to prevent the possibility of data loss. See the description of the ALLODIFF and ALLOZERO errors in the Help Message utility.

- Unsupported processors

There may be processors on the SCSI bus that are not running OpenVMS or that do not return the controller name or allocation class information needed to validate the configuration. If a booting system receives an inquiry response and the response does not contain the special OpenVMS configuration information, then an OPCOM message is printed and a VAXCLUSTER bugcheck occurs. See the description of the CPUNOTSUP error in the Help Message utility.

If your system requires the presence of a processor device on a SCSI bus, then refer to the CPUNOTSUP message description in the Help Message utility for instructions on the use of a special SYSGEN parameter, SCISICLUSTER\_Pn for this case.

**A.7.4.2.2 Failure to Configure Devices** In OpenVMS Alpha Version 7.2, SCSI devices on a misconfigured bus (as described in Section A.7.4.2.1) are not configured. Instead, error messages that describe the incorrect configuration are displayed.

**A.7.4.2.3 Mount Failures** There are two types of configuration error that can cause a disk to fail to mount.

First, when a system boots from a disk on the shared SCSI bus, it may fail to mount the system disk. This happens if there is another system on the SCSI bus that is already booted, and the other system is using a different device name for the system disk. (Two systems will disagree about the name of a device on the shared bus if their controller names or allocation classes are misconfigured, as described in the previous section.) If the system does not first execute one of the bugchecks described in the previous section, then the following error message is displayed on the console:

```
%SYSINIT-E- error when mounting system device, retrying..., status = 007280B4
```

The decoded representation of this status is:

```
VOLALRMNT, another volume of same label already mounted
```

This error indicates that the system disk is already mounted in what appears to be another drive in the OpenVMS Cluster system, so it is not mounted again. To solve this problem, check the controller letters and allocation class values for each node on the shared SCSI bus.

## SCSI as an OpenVMS Cluster Interconnect

### A.7 Supplementary Information

Second, SCSI disks on a shared SCSI bus will fail to mount on both systems unless the disk supports tagged command queuing (TCQ). This is because TCQ provides a command-ordering guarantee that is required during OpenVMS Cluster state transitions.

OpenVMS determines that another processor is present on the SCSI bus during autoconfiguration, using the mechanism described in Section A.7.4.2.1. The existence of another host on a SCSI bus is recorded and preserved until the system reboots.

This information is used whenever an attempt is made to mount a non-TCQ device. If the device is on a multihost bus, the mount attempt fails and returns the following message:

```
%MOUNT-F-DRVERR, fatal drive error.
```

If the drive is intended to be mounted by multiple hosts on the same SCSI bus, then it must be replaced with one that supports TCQ.

Note that the first processor to boot on a multihost SCSI bus does not receive an inquiry response from the other hosts because the other hosts are not yet running OpenVMS. Thus, the first system to boot is unaware that the bus has multiple hosts, and it allows non-TCQ drives to be mounted. The other hosts on the SCSI bus detect the first host, however, and they are prevented from mounting the device. If two processors boot simultaneously, it is possible that they will detect each other, in which case neither is allowed to mount non-TCQ drives on the shared bus.

#### A.7.4.3 Grounding

Having excessive ground offset voltages or exceeding the maximum SCSI interconnect length can cause system failures or degradation in performance. See Section A.7.8 for more information about SCSI grounding requirements.

#### A.7.4.4 Interconnect Lengths

Adequate signal integrity depends on strict adherence to SCSI bus lengths. Failure to follow the bus length recommendations can result in problems (for example, intermittent errors) that are difficult to diagnose. See Section A.4.3 for information on SCSI bus lengths.

#### A.7.5 SCSI Arbitration Considerations

Only one initiator (typically, a host system) or target (typically, a peripheral device) can control the SCSI bus at any one time. In a computing environment where multiple targets frequently contend for access to the SCSI bus, you could experience throughput issues for some of these targets. This section discusses control of the SCSI bus, how that control can affect your computing environment, and what you can do to achieve the most desirable results.

Control of the SCSI bus changes continually. When an initiator gives a command (such as READ) to a SCSI target, the target typically disconnects from the SCSI bus while it acts on the command, allowing other targets or initiators to use the bus. When the target is ready to respond to the command, it must regain control of the SCSI bus. Similarly, when an initiator wishes to send a command to a target, it must gain control of the SCSI bus.

If multiple targets and initiators want control of the bus simultaneously, bus ownership is determined by a process called arbitration, defined by the SCSI standard. The default arbitration rule is simple: control of the bus is given to the requesting initiator or target that has the highest unit number.



The following sections discuss some of the implications of arbitration and how you can respond to arbitration situations that affect your environment.

#### A.7.5.1 Arbitration Issues in Multiple-Disk Environments

When the bus is not very busy, and bus contention is uncommon, the simple arbitration scheme is adequate to perform I/O requests for all devices on the system. However, as initiators make more and more frequent I/O requests, contention for the bus becomes more and more common. Consequently, targets with lower ID numbers begin to perform poorly, because they are frequently blocked from completing their I/O requests by other users of the bus (in particular, targets with the highest ID numbers). If the bus is sufficiently busy, low-numbered targets may never complete their requests. This situation is most likely to occur on systems with more than one initiator because more commands can be outstanding at the same time.

The OpenVMS system attempts to prevent low-numbered targets from being completely blocked by monitoring the amount of time an I/O request takes. If the request is not completed within a certain period, the OpenVMS system stops sending new requests until the tardy I/Os complete. While this algorithm does not ensure that all targets get equal access to the bus, it does prevent low-numbered targets from being totally blocked.

#### A.7.5.2 Solutions for Resolving Arbitration Problems

If you find that some of your disks are not being serviced quickly enough during periods of heavy I/O, try some or all of the following, as appropriate for your site:

- Obtain the DWZZH-05 SCSI hub and enable its fair arbitration feature.
- Assign the highest ID numbers to those disks that require the fastest response time.
- Spread disks across more SCSI buses.
- Keep disks that need to be accessed only by a single host (for example, page and swap disks) on a nonshared SCSI bus.

Another method that might provide for more equal servicing of lower and higher ID disks is to set the host IDs to the lowest numbers (0 and 1) rather than the highest. When you use this method, the host cannot gain control of the bus to send new commands as long as any disk, including those with the lowest IDs, need the bus. Although this option is available to improve fairness under some circumstances, this configuration is less desirable in most instances, for the following reasons:

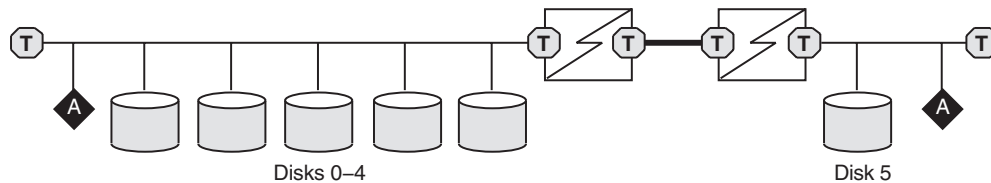
- It can result in lower total throughput.
- It can result in timeout conditions if a command cannot be sent within a few seconds.
- It can cause physical configuration difficulties. For example, StorageWorks shelves such as the BA350 have no slot to hold a disk with ID 7, but they do have a slot for a disk with ID 0. If you change the host to ID 0, you must remove a disk from slot 0 in the BA350, but you cannot move the disk to ID 7. If you have two hosts with IDs 0 and 1, you cannot use slot 0 or 1 in the BA350. (Note, however, that you *can* have a disk with ID 7 in a BA353.)

## SCSI as an OpenVMS Cluster Interconnect

### A.7 Supplementary Information

#### A.7.5.3 Arbitration and Bus Isolators

Any active device, such as a DWZZ $x$ , that connects bus segments introduces small delays as signals pass through the device from one segment to another. Under some circumstances, these delays can be another cause of unfair arbitration. For example, consider the following configuration, which could result in disk servicing problems (starvation) under heavy work loads:



ZK-7913A-GE

Although disk 5 has the highest ID number, there are some circumstances under which disk 5 has the lowest access to the bus. This can occur after one of the lower-numbered disks has gained control of the bus and then completed the operation for which control of the bus was needed. At this point, disk 5 does not recognize that the bus is free and might wait before trying to arbitrate for control of the bus. As a result, one of the lower-numbered disks, having become aware of the free bus and then submitting a request for the bus, will gain control of the bus.

If you see this type of problem, the following suggestions can help you reduce its severity:

- Try to place all disks on the same bus segment.
- If placing all disks on the same bus segment is not possible (for example if you have both some RZ28 disks by themselves and an HSZ $xx$ , try to use a configuration that has only one isolator between any pair of disks.
- If your configuration requires two isolators between a pair of disks (for example, to meet distance requirements), try to balance the number of disks on each bus segment.
- Follow the suggestions in Section A.7.5.2 to reduce the total traffic on the logical bus.

#### A.7.6 Removal and Insertion of SCSI Devices While the OpenVMS Cluster System is Operating

With proper procedures, certain SCSI devices can be removed from or inserted onto an active SCSI bus without disrupting the ongoing operation of the bus. This capability is referred to as **hot plugging**. Hot plugging can allow a suitably configured OpenVMS Cluster system to continue to run while a failed component is replaced. Without hot plugging, it is necessary to make the SCSI bus inactive and remove power from all the devices on the SCSI bus before any device is removed from it or inserted onto it.

In a SCSI OpenVMS Cluster system, hot plugging requires that all devices on the bus have certain electrical characteristics and be configured appropriately on the SCSI bus. Successful hot plugging also depends on strict adherence to the procedures described in this section. These procedures ensure that the hot-plugged device is inactive and that active bus signals are not disturbed.



\_\_\_\_\_ **Hot Plugging for SCSI Buses Behind a Storage Controller** \_\_\_\_\_

This section describes hot-plugging procedures for devices that are on the same SCSI bus as the host that is running OpenVMS. The procedures are different for SCSI buses that are behind a storage controller, such as the HSZxx. Refer to the storage controller documentation for the procedures to hot plug devices that they control.

---

#### A.7.6.1 Terminology for Describing Hot Plugging

The terms shown in bold in this section are used in the discussion of hot plugging rules and procedures.

- A SCSI bus **segment** consists of two terminators, the electrical path forming continuity between them, and possibly, some attached stubs. Bus segments can be connected together by bus isolators (for example, DWZZx), to form a **logical SCSI bus** or just a **SCSI bus**.
- There are two types of connections on a segment: **bussing connections**, which break the path between two terminators, and **stubbing connections**, which disconnect all or part of a stub.
- A device is **active** on the SCSI bus when it is asserting one or more of the bus signals. A device is **inactive** when it is not asserting any bus signals. The segment attached to a bus isolator is inactive when all devices on that segment, except possibly the bus isolator, are inactive.
- A port on a bus isolator has **proper termination** when it is attached to a segment that is terminated at both ends and has TERMPWR in compliance with SCSI-2 requirements.

#### A.7.6.2 Rules for Hot Plugging

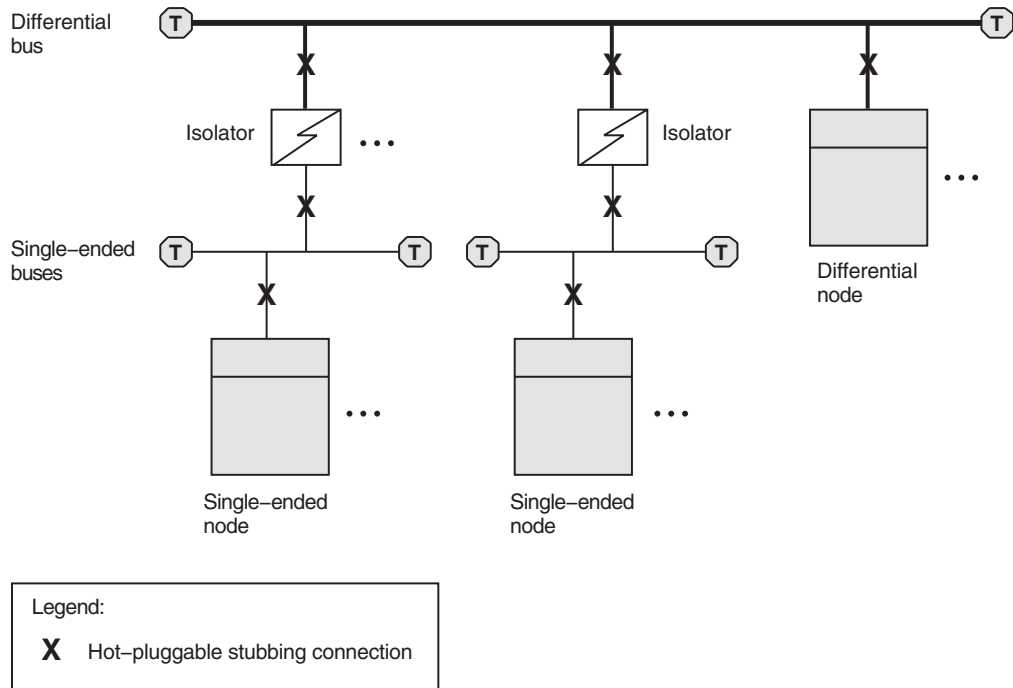
Follow these rules when planning for and performing hot plugging:

- The device to be hot plugged, and all other devices on the same segment, must meet the electrical requirements described in Annex A, Section A.4, of the SCSI-3 Parallel Interface (SPI) Standard, working draft X3T10/855D. Referring to this draft standard is necessary because the SCSI-2 standard does not adequately specify the requirements for hot plugging. The SPI document places requirements on the receivers and terminators on the segment where the hot plugging is being performed, and on the transceivers, TERMPWR, termination, and power/ground/signal sequencing, of the device that is being hot plugged.
- Hot plugging must occur only at a stubbing connection.  
This implies that a hot-plugged device can make only one connection to the SCSI bus, the device must not provide termination for the SCSI bus, and the device's connection must not exceed the maximum stub length, as shown in Figure A-3. An example of a SCSI bus topology showing the valid hot plugging connections is illustrated in Figure A-13.
- Take precautions to ensure that electrostatic discharge (ESD) does not damage devices or disrupt active signals on the SCSI bus. You should take such precautions during the process of disconnecting and connecting, as well as during the time that SCSI bus conductors are exposed.

# SCSI as an OpenVMS Cluster Interconnect

## A.7 Supplementary Information

Figure A-13 SCSI Bus Topology



ZK-8842A-GE

- Take precaution to ensure that ground offset voltages do not pose a safety hazard and will not interfere with SCSI bus signaling, especially in single-ended configurations. The procedures for measuring and eliminating ground offset voltages are described in Section A.7.8.
- The device that is hot plugged must be inactive during the disconnection and connection operations. Otherwise, the SCSI bus may hang. OpenVMS will eventually detect a hung bus and reset it, but this problem may first temporarily disrupt OpenVMS Cluster operations.

**Note**

Ideally, a device will also be inactive whenever its power is removed, for the same reason.

The procedures for ensuring that a device is inactive are described in Section A.7.6.3.

- A quorum disk must not be hot plugged. This is because there is no mechanism for stopping the I/O to a quorum disk, and because the replacement disk will not contain the correct quorum file.

The OpenVMS Cluster system must be reconfigured to remove a device as a quorum disk before that device is removed from the bus. The procedure for accomplishing this is described in *HP OpenVMS Cluster Systems*.

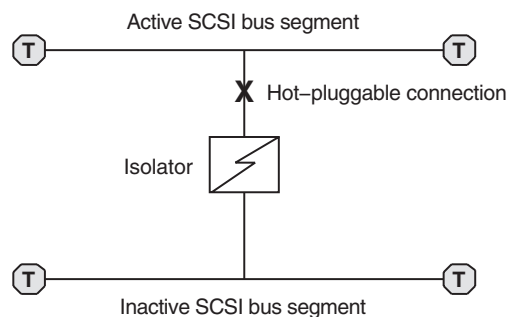
An alternate method for increasing the availability of the quorum disk is to use an HSZxx mirror set as the quorum disk. This would allow a failed member to be replaced while maintaining the quorum disk functionality.

## SCSI as an OpenVMS Cluster Interconnect A.7 Supplementary Information

- Disks must be dismounted logically before removing or replacing them in a hot-plugging operation. This is required to ensure that the disk is inactive and to ensure the integrity of the file system.
- The DWZZx must be powered up when it is inserted into an active SCSI bus and should remain powered up at all times while it is attached to the active SCSI bus. This is because the DWZZx can disrupt the operation of the attached segments when it is powering up or down.
- The segment attached to a bus isolator must be maintained in the inactive state whenever the other port on the bus isolator is terminated improperly. This is required because an improperly terminated bus isolator port may pass erroneous signals to the other port.

Thus, for a particular hot-plugging operation, one of the segments attached to a bus isolator must be designated as the (potentially) active segment, and the other must be maintained in the inactive state, as illustrated in Figure A-14. The procedures for ensuring that a segment is inactive are described in Section A.7.6.3.

**Figure A-14 Hot Plugging a Bus Isolator**



ZK-8843A-GE

Note that, although a bus isolator may have more than one stubbing connection and thus be capable of hot plugging on each of them, only one segment can be the active segment for any particular hot-plugging operation.

- Take precautions to ensure that the only electrical conductor that contacts a connector pin is its mate. These precautions must be taken during the process of disconnecting and connecting as well as during the time the connector is disconnected.
- Devices must be replaced with devices of the same type. That is, if any system in the OpenVMS Cluster configures a SCSI ID as a DK or MK device, then that SCSI ID must contain only DK or MK devices, respectively, for as long as that OpenVMS Cluster member is running.

Different implementations of the same device type can be substituted (for example, an RZ26L can be replaced with an RZ28B). Note that the system will not recognize the change in device type until an attempt is made to mount the new device. Also, note that host-based shadowing continues to require that all members of a shadow set be the same device type.

## SCSI as an OpenVMS Cluster Interconnect

### A.7 Supplementary Information

- SCSI IDs that are empty when a system boots must remain empty as long as that system is running. This rule applies only if there are multiple processors on the SCSI bus and the MSCP server is loaded on any of them. (The MSCP server is loaded when the MSCP\_LOAD system parameter is set to 1).

This is required to ensure that nodes on the SCSI bus use their direct path to the disk rather than the served path. When the new device is configured on a system (using SYSMAN IO commands), that system serves it to the second system on the shared SCSI bus. The second system automatically configures the new device by way of the MSCP served path. Once this occurs, the second system will be unable to use its direct SCSI path to the new device because failover from an MSCP served path to a direct SCSI path is not implemented.

#### A.7.6.3 Procedures for Ensuring That a Device or Segment is Inactive

Use the following procedures to ensure that a device or a segment is inactive:

- To ensure that a disk is inactive:
  1. Dismount the disk on all members of the OpenVMS Cluster system.
  2. Ensure that any I/O that can occur to a dismounted disk is stopped, for example:
    - Disable the disk as a quorum disk.
    - Allocate the disk (using the DCL command ALLOCATE) to block further mount or initialization attempts.
    - Disable console polling by all halted hosts on the logical SCSI bus (by setting the console variable SCSI\_POLL to OFF and entering the INIT command).
    - Ensure that no host on the logical SCSI bus is executing power-up or initialization self-tests, booting, or configuring the SCSI bus (using SYSMAN IO commands).
- To ensure that an HSZxx controller is inactive:
  1. Dismount all of the HSZxx virtual disks on all members of the OpenVMS Cluster system.
  2. Shut down the controller, following the procedures in the *HS Family of Array Controllers User's Guide*.
  3. Power down the HSZxx (optional).
- To ensure that a host adapter is inactive:
  1. Halt the system.
  2. Power down the system, or set the console variable SCSI\_POLL to OFF and then enter the INIT command on the halted system. This ensures that the system will not poll or respond to polls.
- To ensure that a segment is inactive, follow the preceding procedures for every device on the segment.

#### **A.7.6.4 Procedure for Hot Plugging StorageWorks SBB Disks**

To remove an SBB (storage building block) disk from an active SCSI bus, use the following procedure:

1. Use an ESD grounding strap that is attached either to a grounding stud or to unpainted metal on one of the cabinets in the system. Refer to the system installation procedures for guidance.
2. Follow the procedure in Section A.7.6.3 to make the disk inactive.
3. Squeeze the clips on the side of the SBB, and slide the disk out of the StorageWorks shelf.

To plug an SBB disk into an active SCSI bus, use the following procedure:

1. Use an ESD grounding strap that is attached either to a grounding stud or to unpainted metal on one of the cabinets in the system. Refer to the system installation procedures for guidance.
2. Ensure that the SCSI ID associated with the device (either by jumpers or by the slot in the StorageWorks shelf) conforms to the following:
  - The SCSI ID is unique for the logical SCSI bus.
  - The SCSI ID is already configured as a DK device on all of the following:
    - Any member of the OpenVMS Cluster system that already has that ID configured
    - Any OpenVMS processor on the same SCSI bus that is running the MSCP server
3. Slide the SBB into the StorageWorks shelf.
4. Configure the disk on OpenVMS Cluster members, if required, using SYSMAN IO commands.

#### **A.7.6.5 Procedure for Hot Plugging HSZxx**

To remove an HSZxx controller from an active SCSI bus:

1. Use an ESD grounding strap that is attached either to a grounding stud or to unpainted metal on one of the cabinets in the system. Refer to the system installation procedures for guidance.
2. Follow the procedure in Section A.7.6.3 to make the HSZxx inactive.
3. The HSZxx can be powered down, but it must remain plugged in to the power distribution system to maintain grounding.
4. Unscrew and remove the differential triconnector from the HSZxx.
5. Protect all exposed connector pins from ESD and from contacting any electrical conductor while they are disconnected.

To plug an HSZxx controller into an active SCSI bus:

1. Use an ESD grounding strap that is attached either to a grounding stud or to unpainted metal on one of the cabinets in the system. Refer to the system installation procedures for guidance. Also, ensure that the ground offset voltages between the HSZxx and all components that will be attached to it are within the limits specified in Section A.7.8.
2. Protect all exposed connector pins from ESD and from contacting any electrical conductor while they are disconnected.

## SCSI as an OpenVMS Cluster Interconnect

### A.7 Supplementary Information

3. Power up the HSZ $xx$  and ensure that the disk units associated with the HSZ $xx$  conform to the following:
  - The disk units are unique for the logical SCSI bus.
  - The disk units are already configured as DK devices on the following:
    - Any member of the OpenVMS Cluster system that already has that ID configured
    - Any OpenVMS processor on the same SCSI bus that is running the MSCP server
4. Ensure that the HSZ $xx$  will make a legal stubbing connection to the active segment. (The connection is legal when the triconnector is attached directly to the HSZ $xx$  controller module, with no intervening cable.)
5. Attach the differential triconnector to the HSZ $xx$ , using care to ensure that it is properly aligned. Tighten the screws.
6. Configure the HSZ $xx$  virtual disks on OpenVMS Cluster members, as required, using SYSMAN IO commands.

#### A.7.6.6 Procedure for Hot Plugging Host Adapters

To remove a host adapter from an active SCSI bus:

1. Use an ESD grounding strap that is attached either to a grounding stud or to unpainted metal on one of the cabinets in the system. Refer to the system installation procedures for guidance.
2. Verify that the connection to be broken is a stubbing connection. If it is not, then do not perform the hot plugging procedure.
3. Follow the procedure in Section A.7.6.3 to make the host adapter inactive.
4. The system can be powered down, but it must remain plugged in to the power distribution system to maintain grounding.
5. Remove the “Y” cable from the host adapter’s single-ended connector.
6. Protect all exposed connector pins from ESD and from contacting any electrical conductor while they are disconnected.
7. Do *not* unplug the adapter from the host’s internal bus while the host remains powered up.

At this point, the adapter has disconnected from the SCSI bus. To remove the adapter from the host, first power down the host, then remove the adapter from the host’s internal bus.

To plug a host adapter into an active SCSI bus:

1. Use an ESD grounding strap that is attached either to a grounding stud or to unpainted metal on one of the cabinets in the system. Refer to the system installation procedures for guidance. Also, ensure that the ground offset voltages between the host and all components that will be attached to it are within the limits specified in Section A.7.8.
2. Protect all exposed connector pins from ESD and from contacting any electrical conductor while they are disconnected.
3. Ensure that the host adapter will make a legal stubbing connection to the active segment (the stub length must be within allowed limits, and the host adapter must not provide termination to the active segment).

## SCSI as an OpenVMS Cluster Interconnect A.7 Supplementary Information

4. Plug the adapter into the host (if it is unplugged).
5. Plug the system into the power distribution system to ensure proper grounding. Power up, if desired.
6. Attach the “Y” cable to the host adapter, using care to ensure that it is properly aligned.

### A.7.6.7 Procedure for Hot Plugging DWZZx Controllers

Use the following procedure to remove a DWZZx from an active SCSI bus:

1. Use an ESD grounding strap that is attached either to a grounding stud or to unpainted metal on one of the cabinets in the system. Refer to the system installation procedures for guidance.
2. Verify that the connection to be broken is a stubbing connection. If it is not, then do not perform the hot plugging procedure.
3. Do not power down the DWZZx. This can disrupt the operation of the attached SCSI bus segments.
4. Determine which SCSI bus segment will remain active after the disconnection. Follow the procedure in Section A.7.6.3 to make the other segment inactive.

When the DWZZx is removed from the active segment, the inactive segment must remain inactive until the DWZZx is also removed from the inactive segment, or until proper termination is restored to the DWZZx port that was disconnected from the active segment.

5. The next step depends on the type of DWZZx and the segment that is being hot plugged, as follows:

DWZZx Type	Condition	Action
SBB <sup>1</sup>	Single-ended segment will remain active.	Squeeze the clips on the side of the SBB, and slide the DWZZx out of the StorageWorks shelf.
SBB <sup>1</sup>	Differential segment will remain active.	Unscrew and remove the differential triconnector from the DWZZx.
Table top	Single-ended segment will remain active.	Remove the “Y” cable from the DWZZx’s single-ended connector.
Table top	Differential segment will remain active.	Unscrew and remove the differential triconnector from the DWZZx.

<sup>1</sup>SSB is the StorageWorks abbreviation for storage building block.

6. Protect all exposed connector pins from ESD and from contacting any electrical conductor while they are disconnected.

To plug a DWZZx into an active SCSI bus:

1. Use an ESD grounding strap that is attached either to a grounding stud or to unpainted metal on one of the cabinets in the system. Refer to the system installation procedures for guidance. Also, ensure that the ground offset voltages between the DWZZx and all components that will be attached to it are within the limits specified in Section A.7.8.
2. Protect all exposed connector pins from ESD and from contacting any electrical conductor while they are disconnected.



## SCSI as an OpenVMS Cluster Interconnect

### A.7 Supplementary Information

3. Ensure that the DWZZx will make a legal stubbing connection to the active segment (the stub length must be within allowed limits, and the DWZZx must not provide termination to the active segment).
4. The DWZZx must be powered up. The SCSI segment that is being added must be attached and properly terminated. All devices on this segment must be inactive.
5. The next step depends on the type of DWZZx, and which segment is being hot plugged, as follows:

DWZZx Type	Condition	Action
SBB <sup>1</sup>	Single-ended segment is being hot plugged.	Slide the DWZZx into the StorageWorks shelf.
SBB <sup>1</sup>	Differential segment is being hot plugged.	Attach the differential triconnector to the DWZZx, using care to ensure that it is properly aligned. Tighten the screws.
Table top	Single-ended segment is being hot plugged.	Attach the “Y” cable to the DWZZx, using care to ensure that it is properly aligned.
Table top	Differential segment is being hot plugged.	Attach the differential triconnector to the DWZZx, using care to ensure that it is properly aligned. Tighten the screws.

<sup>1</sup>SSB is the StorageWorks abbreviation for storage building block.

6. If the newly attached segment has storage devices on it, then configure them on OpenVMS Cluster members, if required, using SYSMAN IO commands.

#### A.7.7 OpenVMS Requirements for Devices Used on Multihost SCSI OpenVMS Cluster Systems

At this time, the only devices approved for use on multihost SCSI OpenVMS Cluster systems are those listed in Table A–2. While not specifically approved for use, other disk devices might be used in a multihost OpenVMS Cluster system when they conform to the following requirements:

- Support for concurrent multi-initiator I/O.
- Proper management for the following states or conditions on a per-initiator basis:
  - Synchronous negotiated state and speed
  - Width negotiated state
  - Contingent Allegiance and Unit Attention conditions
- Tagged command queuing. This is needed to provide an ordering guarantee used in OpenVMS Cluster systems to ensure that I/O has been flushed. The drive must implement queuing that complies with Section 7.8.2 of the SCSI-2 standard, which says (in part):
 

“...All commands received with a simple queue tag message prior to a command received with an ordered queue tag message, *regardless of initiator*, shall be executed before that command with the ordered queue tag message.” (Emphasis added.)



## SCSI as an OpenVMS Cluster Interconnect A.7 Supplementary Information

- Support for command disconnect.
- A reselection timeout procedure compliant with Option b of Section 6.1.4.2 of the SCSI-2 standard. Furthermore, the device shall implement a reselection retry algorithm that limits the amount of bus time spent attempting to reselect a nonresponsive initiator.
- Automatic read reallocation enabled (ARRE) and automatic write reallocation enabled (AWRE) (that is, drive-based bad block revectoring) to prevent multiple hosts from unnecessarily revectoring the same block. To avoid data corruption, it is essential that the drive comply with Section 9.3.3.6 of the SCSI-2 Standard, which says (in part):

“...The automatic reallocation shall then be performed only if the target *successfully recovers the data.*” (Emphasis added.)
- Storage devices should not supply TERMPWR. If they do, then it is necessary to apply configuration rules to ensure that there are no more than four sources of TERMPWR on a segment.

Finally, if the device or any other device on the same segment will be hot plugged, then the device must meet the electrical requirements described in Section A.7.6.2.

### A.7.8 Grounding Requirements

This section describes the grounding requirements for electrical systems in a SCSI OpenVMS Cluster system.

Improper grounding can result in voltage differentials, called ground offset voltages, between the enclosures in the configuration. Even small ground offset voltages across the SCSI interconnect (as shown in step 3 of Table A–8) can disrupt the configuration and cause system performance degradation or data corruption.

Table A–8 describes important considerations to ensure proper grounding.

**Table A–8 Steps for Ensuring Proper Grounding**

Step	Description
1	Ensure that site power distribution meets all local electrical codes.
2	Inspect the entire site power distribution system to ensure that: <ul style="list-style-type: none"><li>• All outlets have power ground connections.</li><li>• A grounding prong is present on all computer equipment power cables.</li><li>• Power-outlet neutral connections are not actual ground connections.</li><li>• All grounds for the power outlets are connected to the same power distribution panel.</li><li>• All devices that are connected to the same circuit breaker as the computer equipment are UL® or IEC approved.</li></ul>

(continued on next page)

## SCSI as an OpenVMS Cluster Interconnect

### A.7 Supplementary Information

**Table A–8 (Cont.) Steps for Ensuring Proper Grounding**

Step	Description
3	<p>If you have difficulty verifying these conditions, you can use a hand-held multimeter to measure the ground offset voltage between any two cabinets. To measure the voltage, connect the multimeter leads to unpainted metal on each enclosure. Then determine whether the voltage exceeds the following allowable ground offset limits:</p> <ul style="list-style-type: none"><li>• Single-ended signaling: 50 millivolts (maximum allowable offset)</li><li>• Differential signaling: 800 millivolts (maximum allowable offset)</li></ul> <p>The multimeter method provides data for only the moment it is measured. The ground offset values may change over time as additional devices are activated or plugged into the same power source. To ensure that the ground offsets remain within acceptable limits over time, HP recommends that you have a power survey performed by a qualified electrician.</p>
4	<p>If you are uncertain about the grounding situation or if the measured offset exceeds the allowed limit, HP recommends that a qualified electrician correct the problem. It may be necessary to install grounding cables between enclosures to reduce the measured offset.</p>
5	<p>If an unacceptable offset voltage was measured and a ground cable was installed, then measure the voltage again to ensure it is less than the allowed limits. If not, an electrician must determine the source of the ground offset voltage and reduce or eliminate it.</p>

---

## MEMORY CHANNEL Technical Summary

This appendix contains information about MEMORY CHANNEL, a high-performance cluster interconnect technology. MEMORY CHANNEL, which was introduced in OpenVMS Alpha Version 7.1, supports several configurations.

This chapter contains the following sections:

Section	Content
Product Overview	High-level introduction to the MEMORY CHANNEL product and its benefits, hardware components, and configurations.
Technical Overview	More in-depth technical information about how MEMORY CHANNEL works.

### B.1 Product Overview

MEMORY CHANNEL is a high-performance cluster interconnect technology for PCI-based Alpha systems. With the benefits of very low latency, high bandwidth, and direct memory access, MEMORY CHANNEL complements and extends the unique ability of an OpenVMS Cluster to work as a single, virtual system.

MEMORY CHANNEL offloads internode cluster traffic (such as lock management communication) from existing interconnects—CI, DSSI, FDDI, and Ethernet—so that they can process storage and network traffic more effectively. MEMORY CHANNEL significantly increases throughput and decreases the latency associated with traditional I/O processing.

Any application that must move large amounts of data among nodes will benefit from MEMORY CHANNEL. It is an optimal solution for applications that need to pass data quickly, such as real-time and transaction processing. MEMORY CHANNEL also improves throughput in high-performance databases and other applications that generate heavy OpenVMS Lock Manager traffic.

#### B.1.1 MEMORY CHANNEL Features

MEMORY CHANNEL technology provides the following features:

- **Offers excellent price/performance.**

With several times the CI bandwidth, MEMORY CHANNEL provides a 100 MB/s interconnect with minimal latency. MEMORY CHANNEL architecture is designed for the industry-standard PCI bus.

# MEMORY CHANNEL Technical Summary

## B.1 Product Overview

- **Requires no change to existing applications.**

MEMORY CHANNEL works seamlessly with existing cluster software, so that no change is necessary for existing applications. The new MEMORY CHANNEL drivers, PMDRIVER and MCDRIVER, integrate with the Systems Communication Services layer of OpenVMS Clusters in the same way as existing port drivers. Higher layers of cluster software are unaffected.

- **Offloads CI, DSSI, and the LAN in SCSI clusters.**

You cannot connect storage directly to MEMORY CHANNEL.

While MEMORY CHANNEL is not a replacement for CI and DSSI, when used in combination with those interconnects, it offloads their node-to-node traffic. This enables them to be dedicated to storage traffic, optimizing communications in the entire cluster.

When used in a cluster with SCSI and LAN interconnects, MEMORY CHANNEL offloads node-to-node traffic from the LAN, enabling it to handle more TCP/IP or DECnet traffic.

- **Provides fail-separately behavior.**

When a system failure occurs, MEMORY CHANNEL nodes behave like any failed node in an OpenVMS Cluster. The rest of the cluster continues to perform until the failed node can rejoin the cluster.

### B.1.2 MEMORY CHANNEL Version 2.0 Features

When first introduced in OpenVMS Version 7.1, MEMORY CHANNEL supported a maximum of four nodes in a 10-foot radial topology. Communication occurred between one sender-receiver pair at a time. MEMORY CHANNEL Version 1.5 introduced support for eight nodes, a new adapter (CCMAA-BA), time stamps on all messages, and more robust performance.

MEMORY CHANNEL Version 2.0 provides the following new capabilities:

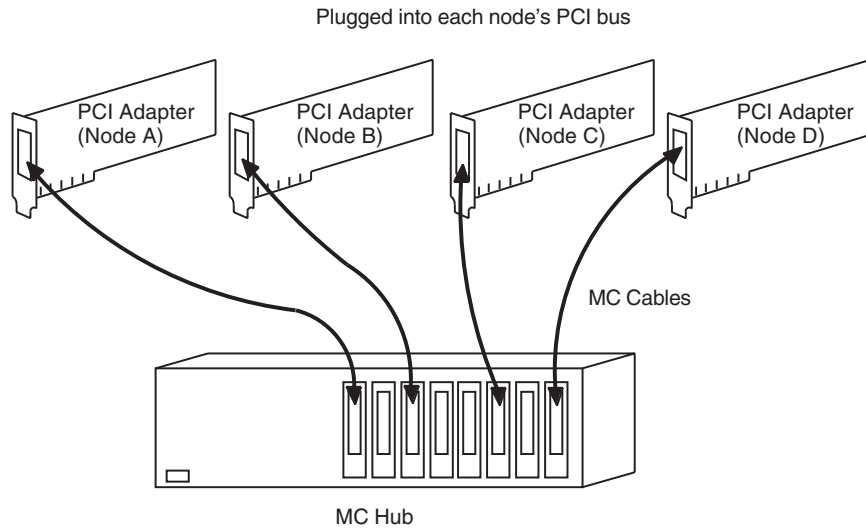
- Support for a new adapter (CCMAB-AA) and new hubs (CCMHB-AA and CCMHB-BA)
- Support for simultaneous communication between four sender-receiver pairs
- Support for longer cables for a radial topology up to 3 km

### B.1.3 Hardware Components

A MEMORY CHANNEL cluster is joined together by a hub, a desktop-PC sized unit which provides a connection among systems. The hub is connected to a system's PCI adapter by a link cable. Figure B-1 shows all three hardware components required by a node to support MEMORY CHANNEL:

- A PCI-to-MEMORY CHANNEL adapter
- A link cable
- A port in a MEMORY CHANNEL hub (except for a two-node configuration in which the cable connects just two PCI adapters.)

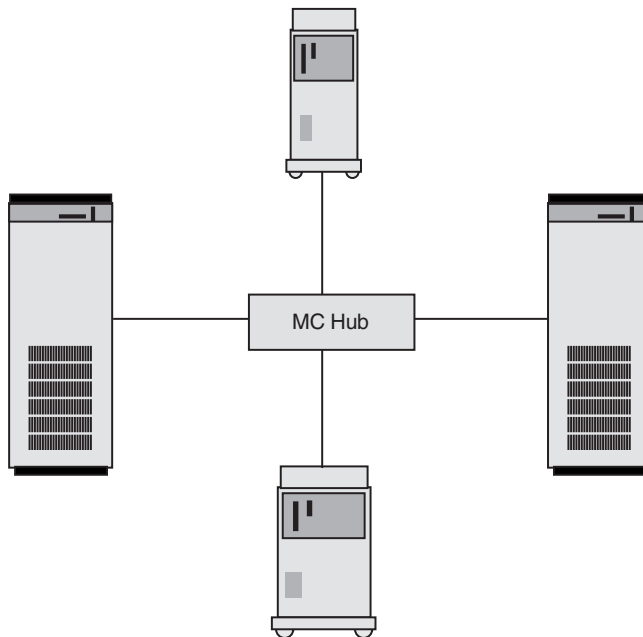
Figure B-1 MEMORY CHANNEL Hardware Components



The PCI adapter pictured in Figure B-1 has memory mapping logic that enables each system to communicate with the others in the MEMORY CHANNEL cluster.

Figure B-2 shows an example of a four-node MEMORY CHANNEL cluster with a hub at its center.

Figure B-2 Four-Node MEMORY CHANNEL Cluster



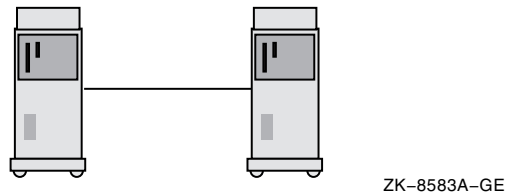
ZK-8582A-GE

# MEMORY CHANNEL Technical Summary

## B.1 Product Overview

A MEMORY CHANNEL hub is not required in clusters that contain only two nodes. In a two-node configuration like the one shown Figure B-3, the same adapters and cable are used, and one of the PCI adapters serves as a virtual hub. You can continue to use the adapters and cable if you expand to a larger configuration later.

Figure B-3 Virtual Hub MEMORY CHANNEL Cluster



### B.1.4 Backup Interconnect for High-Availability Configurations

MEMORY CHANNEL requires a central hub in configurations of three or more nodes. The MEMORY CHANNEL hub contains active, powered electronic components. In the event of a hub failure, resulting from either a power shutdown or component failure, the MEMORY CHANNEL interconnect ceases operation. This type of failure does not occur with the other cluster interconnects, such as CI, DSSI, and most LAN configurations.

Compaq therefore recommends that customers with MEMORY CHANNEL configurations who have high availability requirements consider using one of the following configurations to provide a second backup interconnect:

- In most cases a second interconnect can easily be configured by enabling the LAN (Ethernet or FDDI) for clustering. FDDI and 100 Mb/s Ethernet usually provide acceptable interconnect performance in the event of MEMORY CHANNEL failure. (See Section 8.5 and *HP OpenVMS Cluster Systems* for details about how to enable the LAN for clustering.)
- CI and DSSI interconnects automatically act as a backup for MEMORY CHANNEL.
- A configuration with two MEMORY CHANNEL interconnects provides the highest possible performance as well as continued operation if one MEMORY CHANNEL interconnect fails.

### B.1.5 Software Requirements

The use of MEMORY CHANNEL imposes certain requirements on memory and on your choice of diagnostic tools.

#### B.1.5.1 Memory Requirements

MEMORY CHANNEL consumes memory during normal operations. Each system in your MEMORY CHANNEL cluster must have at least 128 MB of memory.

### B.1.5.2 Large-Memory Systems' Use of NPAGEVIR Parameter

On systems containing very large amounts of nonpaged pool memory, MEMORY CHANNEL may be unable to complete initialization. If this happens, the console displays the following message repeatedly:

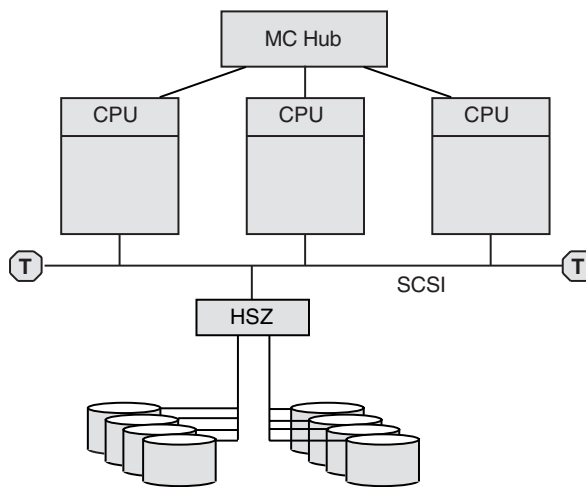
```
Hub timeout - reinitializing adapter
```

To fix this problem, examine the value of the SYSGEN parameter NPAGEVIR. If its value is greater than 1 gigabyte, consider lowering it to about half of that. Thereafter, a reboot of your system should allow the MEMORY CHANNEL to complete initialization.

### B.1.6 Configurations

Figure B-4 shows a basic MEMORY CHANNEL cluster that uses the SCSI interconnect for storage. This configuration provides two advantages: high performance on the MEMORY CHANNEL interconnect and low cost on the SCSI interconnect.

Figure B-4 MEMORY CHANNEL- and SCSI-Based Cluster



ZK-8777A-GE

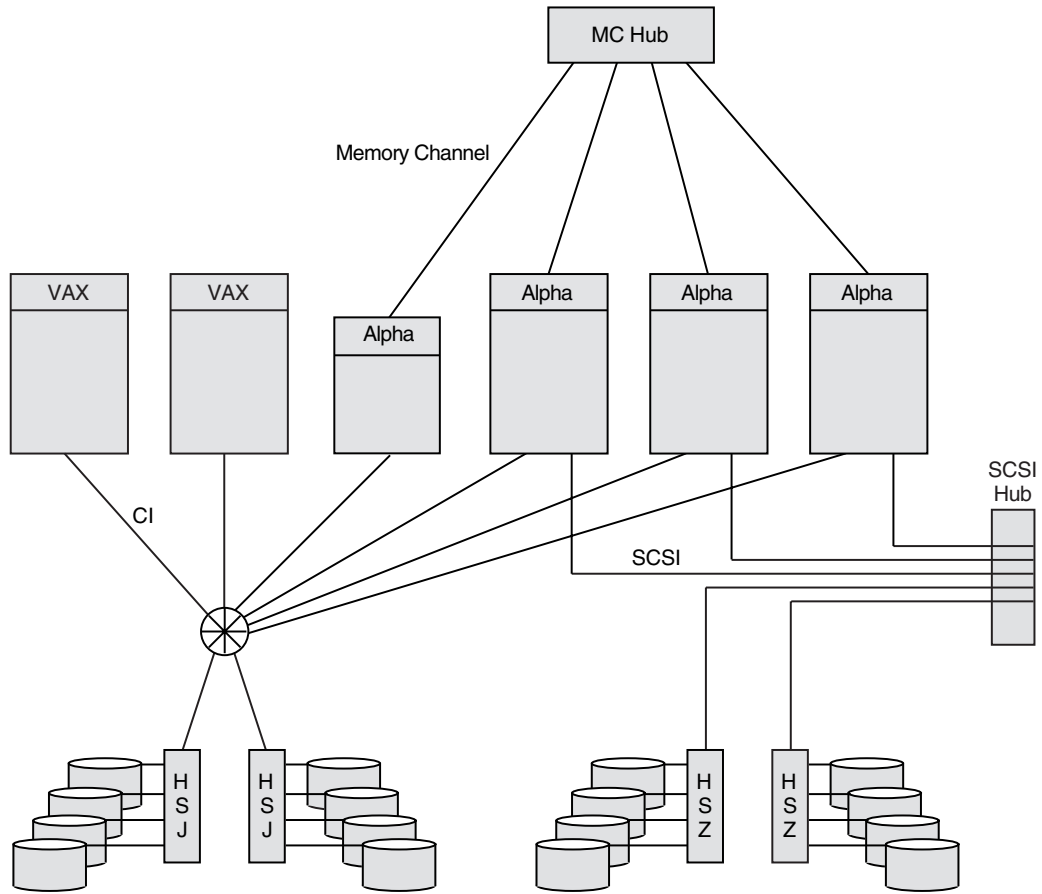
In a configuration like the one shown in Figure B-4, the MEMORY CHANNEL interconnect handles internode communication while the SCSI bus handles storage communication.

You can integrate MEMORY CHANNEL with your current systems. Figure B-5 shows an example of how to add MEMORY CHANNEL to a mixed-architecture CI- and SCSI-based cluster. In this example, the BI- and XMI-based VAX systems are joined in the same CI cluster with the PCI-based Alpha MEMORY CHANNEL systems.

# MEMORY CHANNEL Technical Summary

## B.1 Product Overview

Figure B-5 MEMORY CHANNEL CI- and SCSI-Based Cluster



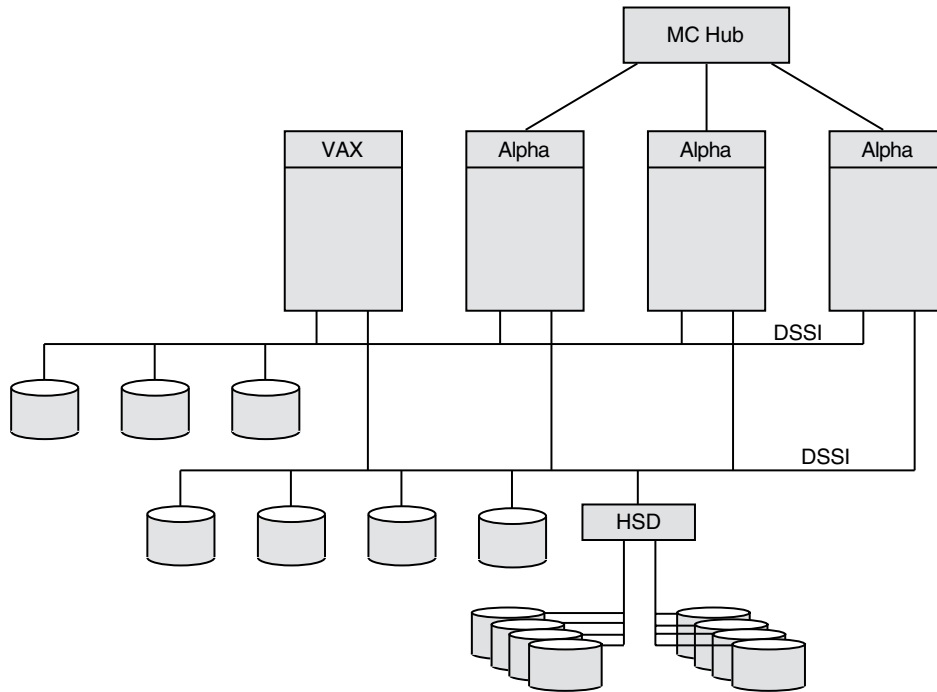
ZK-8756A-GE

Because the MEMORY CHANNEL interconnect is not used for storage and booting, you must provide access to a boot device through one of the other interconnects. To use Figure B-5 as an example, one of the CI-based disks would be a good choice for a boot device because all nodes have direct access to it over the CI.

MEMORY CHANNEL can also be integrated into an existing DSSI cluster, as shown in Figure B-6.



Figure B-6 MEMORY CHANNEL DSSI-Based Cluster



ZK-8774A-GE

As Figure B-6 shows, the three MEMORY CHANNEL systems and the VAX system have access to the storage that is directly connected to the DSSI interconnect as well as to the SCSI storage attached to the HSD controller. In this configuration, MEMORY CHANNEL handles the Alpha internode traffic, while the DSSI handles the storage traffic.

### B.1.6.1 Configuration Support

MEMORY CHANNEL supports the platforms and configurations shown in Table B-1.

Table B-1 MEMORY CHANNEL Configuration Support

Requirement	Description
Configuration	<p>MEMORY CHANNEL supports the following configurations:</p> <ul style="list-style-type: none"> <li>• Up to eight nodes per MEMORY CHANNEL hub.</li> <li>• For two-hub configurations, up to two PCI adapters per node; each adapter must be connected to a different hub.</li> <li>• For two-node configurations, no hub is required.</li> </ul>

(continued on next page)

# MEMORY CHANNEL Technical Summary

## B.1 Product Overview

**Table B–1 (Cont.) MEMORY CHANNEL Configuration Support**

Requirement	Description
Cables	MEMORY CHANNEL supports the following cables: <ul style="list-style-type: none"><li>• Copper cables up to a 10-m (32.8 ft) radial topology</li><li>• Fiber-optic cables from Compaq up to a 30-m (98.4 ft) radial topology; fiber-optic cables from other vendors, up to a 3-km (1.8 miles) radial topology</li></ul>
Host systems	MEMORY CHANNEL supports the following systems: <ul style="list-style-type: none"><li>• AlphaServer 8400</li><li>• AlphaServer 8200</li><li>• AlphaServer 4100</li><li>• AlphaServer 2100A</li><li>• AlphaServer 1200</li><li>• AlphaServer 800</li></ul>

---

### Note

---

You can configure a computer in an OpenVMS Cluster system with both a MEMORY CHANNEL Version 1.5 hub and a MEMORY CHANNEL Version 2.0 hub. However, the version number of the adapter and the cables must match the hub's version number for MEMORY CHANNEL to function properly.

In other words, you must use MEMORY CHANNEL Version 1.5 adapters with the MEMORY CHANNEL Version 1.5 hub and MEMORY CHANNEL Version 1.5 cables. Similarly, you must use MEMORY CHANNEL Version 2.0 adapters with the MEMORY CHANNEL Version 2.0 hub and MEMORY CHANNEL Version 2.0 cables.

---

## B.2 Technical Overview

This section describes in more technical detail how MEMORY CHANNEL works.

### B.2.1 Comparison With Traditional Networks and SMP

You can think of MEMORY CHANNEL as a form of “stretched SMP bus” that supports enough physical distance to interconnect up to eight systems. However, MEMORY CHANNEL differs from an SMP environment where multiple CPUs can directly access the same physical memory. MEMORY CHANNEL requires each node to maintain its own physical memory, even though the nodes share MEMORY CHANNEL global address space.

MEMORY CHANNEL fills a price/performance gap between the high performance of SMP systems and traditional packet-based networks. Table B–2 shows a comparison among the characteristics of SMP, MEMORY CHANNEL, and standard networks.

## MEMORY CHANNEL Technical Summary B.2 Technical Overview

**Table B–2 Comparison of SMP, MEMORY CHANNEL, and Standard Networks**

Characteristics	SMP	MEMORY CHANNEL	Standard Networking
Bandwidth (MB/s)	1000+	100+	10+
Latency (ms/simplest message)	0.5	Less than 5	About 300
Overhead (ms/simplest message)	0.5	Less than 5	About 250
Hardware communication model	Shared memory	Memory-mapped	Message passing
Hardware communication primitive	Store to memory	Store to memory	Network packet
Hardware support for broadcast	n/a	Yes	Sometimes
Hardware support for synchronizaton	Yes	Yes	No
Hardware support for node hot swap	No	Yes	Yes
Software communication model	Shared memory	Fast messages, shared memory	Messages
Communication model for errors	Not recoverable	Recoverable	Recoverable
Supports direct user mode communication	Yes	Yes	No
Typical physical interconnect technology	Backplane etch	Parallel copper cables	Serial fiber optics
Physical interconnect error rate	Extremely low order: less than one per year	Extremely low order: less than one per year	Low order: several per day
Hardware interconnect method	Special purpose connector and logic	Standard I/O bus adapter (PCI)	Standard I/O bus adapter (PCI and others)
Distance between nodes (m)	0.3	20 (copper) or 60 (fiber-optic) in a hub configuration and 10 (copper) or 30 (fiber-optic) in a two-node configuration	50-1000
Number of nodes	1	8	Hundreds
Number of processors	6–12	8 times the maximum number of CPUs in an SMP system	Thousands
Failure model	Fail together	Fail separately	Fail separately

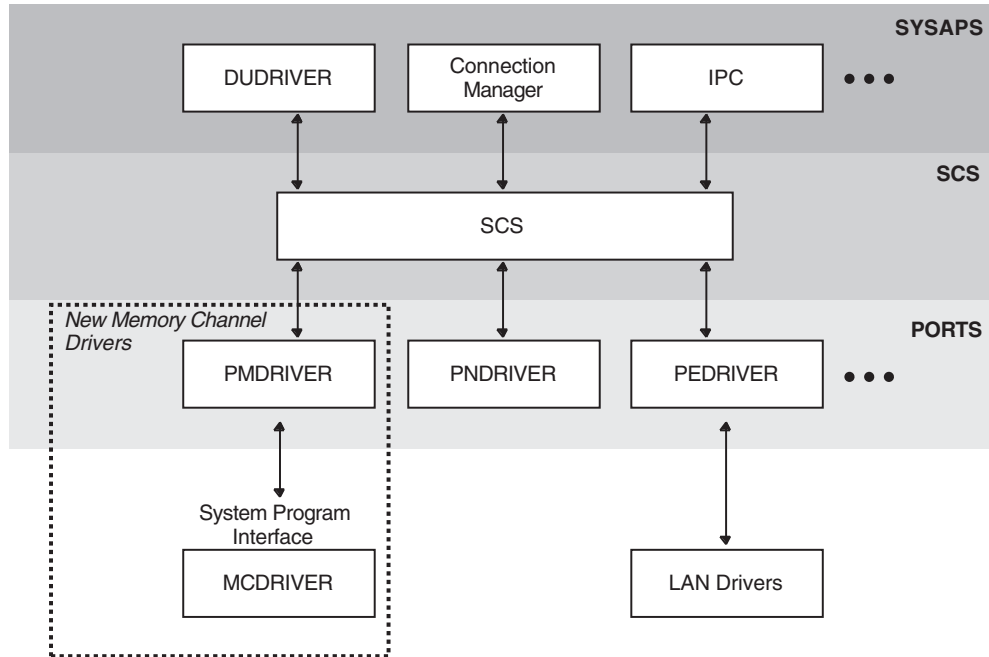
# MEMORY CHANNEL Technical Summary

## B.2 Technical Overview

### B.2.2 MEMORY CHANNEL in the OpenVMS Cluster Architecture

As Figure B-7 shows, MEMORY CHANNEL functionality has been implemented in the OpenVMS Cluster architecture just below the System Communication Services layer. This design ensures that no changes are required to existing applications because higher layers of OpenVMS Cluster software are unchanged.

**Figure B-7 OpenVMS Cluster Architecture and MEMORY CHANNEL**



ZK-8588A-GE

MEMORY CHANNEL software consists of two new drivers:

Driver	Description
PMDRIVER	Emulates a cluster port driver.
MCDRIVER	Provides MEMORY CHANNEL services and an interface to MEMORY CHANNEL hardware.

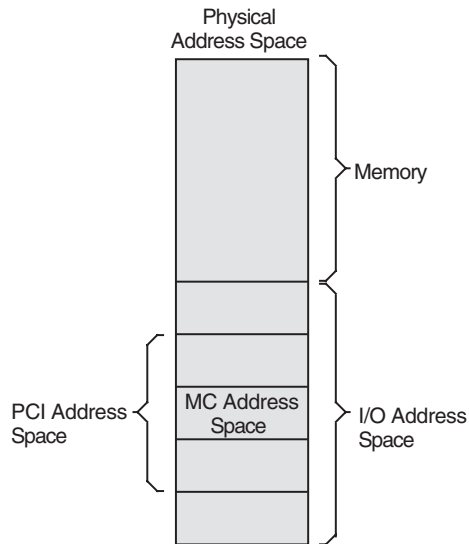
### B.2.3 MEMORY CHANNEL Addressing

In a MEMORY CHANNEL configuration, a section of system physical address space is shared among all nodes. When a system writes data to this address space, the MEMORY CHANNEL hardware also performs a global write so that this data is stored in the memories of other systems. In other words, when a node's CPU writes data to the PCI address space occupied by the MEMORY CHANNEL adapter, the data is sent across the MEMORY CHANNEL interconnect to the other nodes. The other nodes' PCI adapters map this data into their own memory. This infrastructure enables a write to an I/O address on one system to get mapped to a physical address on the other system. The next two figures explain this in more detail.

## MEMORY CHANNEL Technical Summary B.2 Technical Overview

Figure B–8 shows how MEMORY CHANNEL global address space is addressed in physical memory.

**Figure B–8 Physical Memory and I/O Address Space**



ZK-8778A-GE

Figure B–8 shows the typical address space of a system, divided into physical memory and I/O address space. Within the PCI I/O address space, MEMORY CHANNEL consumes 128 to 512 MB of address space. Therefore, the MEMORY CHANNEL PCI adapter can be addressed within this space, and the CPU can write data to it.

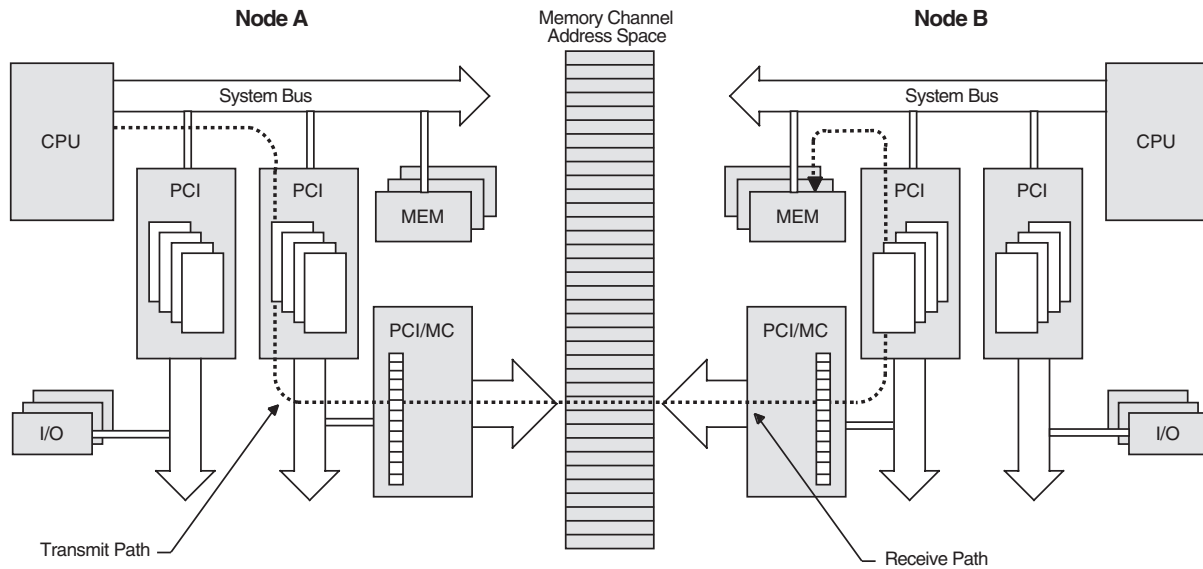
Every system in a MEMORY CHANNEL cluster allocates this address space for MEMORY CHANNEL data and communication. By using this address space, a CPU can perform global writes to the memories of other nodes.

To explain global writes more fully, Figure B–9 shows the internal bus architecture of two nodes, node A and node B.

# MEMORY CHANNEL Technical Summary

## B.2 Technical Overview

Figure B-9 MEMORY CHANNEL Bus Architecture



ZK-8776A-GE

In the example shown in Figure B-9, node A is performing a global write to node B's memory, in the following sequence:

1. Node A's CPU performs a write to MEMORY CHANNEL address space, which is part of PCI address space. The write makes its way through the PCI bus to the PCI/MEMORY CHANNEL adapter and out on the MEMORY CHANNEL interconnect.
2. Node B's PCI adapter receives the data, which is picked up by its PCI bus and DMA-mapped to memory.

If all nodes in the cluster agree to address MEMORY CHANNEL global address space in the same way, they can virtually "share" the same address space and the same data. This is why MEMORY CHANNEL address space is depicted as a common, central address space in Figure B-9.

MEMORY CHANNEL global address space is divided into pages of 8 KB (8,192 bytes). These are called MC pages. These 8 KB pages can be mapped similarly among systems.

The "shared" aspect of MEMORY CHANNEL global address space is set up using the page control table, or PCT, in the PCI adapter. The PCT has attributes that can be set for each MC page. Table B-3 explains these attributes.

Table B-3 MEMORY CHANNEL Page Attributes

Attribute	Description
Broadcast	Data is sent to all systems or, with a node ID, data is sent to only the specified system.
Loopback	Data that is sent to the other nodes in a cluster is also written to memory by the PCI adapter in the transmitting node. This provides message order guarantees and a greater ability to detect errors.
Interrupt	Specifies that if a location is written in this MC page, it generates an interrupt to the CPU. This can be used for notifying other nodes.
Suppress transmit/receive after error	Specifies that if an error occurs on this page, transmit and receive operations are not allowed until the error condition is cleared.
ACK	A write to a page causes each receiving system's adapter to respond with an ACK (acknowledge), ensuring that a write (or other operation) has occurred on remote nodes without interrupting their hosts. This is used for error checking and error recovery.

#### B.2.4 MEMORY CHANNEL Implementation

MEMORY CHANNEL software comes bundled with the OpenVMS Cluster software. After setting up the hardware, you configure the MEMORY CHANNEL software by responding to prompts in the CLUSTER\_CONFIG.COM procedure. A prompt asks whether you want to enable MEMORY CHANNEL for node-to-node communications for the local computer. By responding "Yes", MC\_SERVICES\_P2, the system parameter that controls whether MEMORY CHANNEL is in effect, is set to 1. This setting causes the driver, PMDRIVER, to be loaded and the default values for the other MEMORY CHANNEL system parameters to take effect.

For a description of all the MEMORY CHANNEL system parameters, refer to the *HP OpenVMS Cluster Systems* manual.

For more detailed information about setting up the MEMORY CHANNEL hub, link cables, and PCI adapters, see the *MEMORY CHANNEL User's Guide*, order number EK-PCIMC-UG.A01.





---

## CI-to-PCI Adapter (CIPCA) Support

This appendix describes the CI-to-PCI adapter (CIPCA) which was introduced in OpenVMS Alpha Version 6.2-1H2 and is supported on all subsequent versions, except OpenVMS Version 7.0. The CIPCA adapter supports specific Alpha servers and OpenVMS Cluster configurations.

This appendix contains the following sections:

- CIPCA overview (Section C.1)
- Technical specifications (Section C.2)
- Configuration support and restrictions (Section C.3)
- Installation requirements (Section C.4)
- DECEvent for Analyzing CIPCA Errors (Section C.5)
- Performance recommendations (Section C.6)

### C.1 CIPCA Overview

The CIPCA adapter, developed in partnership with CMD Technologies, enables Alpha servers with PCI buses or with a PCI bus and an EISA bus to connect to the CI. The CIPCA adapter provides the following features and benefits:

Feature	Benefit
Lower entry cost and more configuration choices	If you require midrange compute power for your business needs, CIPCA enables you to integrate midrange Alpha servers into your existing CI cluster.
High-end Alpha speed and power	If you require maximum compute power, you can use the CIPCA with both the AlphaServer 8200 systems and AlphaServer 8400 systems that have PCI and EISA I/O subsystems.
Cost-effective Alpha migration path	If you want to add Alpha servers to an existing CI VAXcluster, CIPCA provides a cost-effective way to start migrating to a mixed-architecture cluster in the price/performance range that you need.

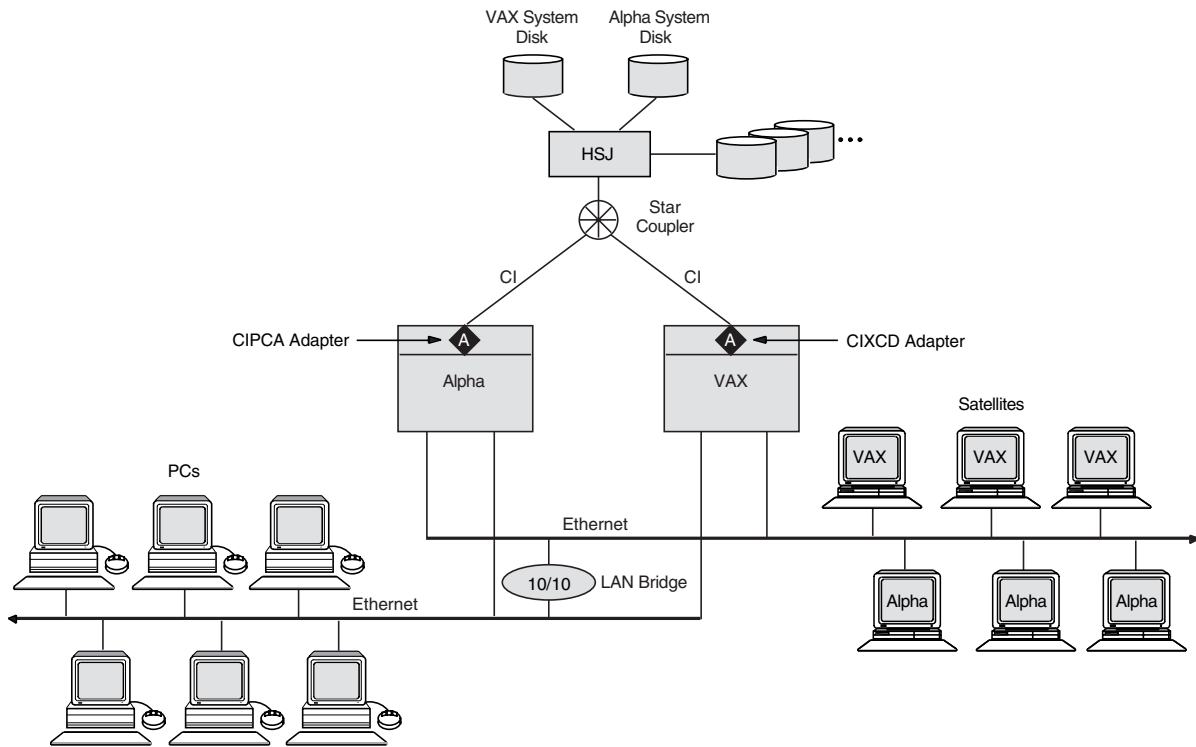
# CI-to-PCI Adapter (CIPCA) Support

## C.1 CIPCA Overview

Feature	Benefit
Advantages of the CI	<p>The CIPCA connects to the CI, which offers the following advantages:</p> <ul style="list-style-type: none"> <li>• High speed to accommodate larger processors and I/O-intensive applications.</li> <li>• Efficient, direct access to large amounts of storage.</li> <li>• Minimal CPU overhead for communication. CI adapters are intelligent interfaces that perform much of the communication work in OpenVMS Cluster systems.</li> <li>• High availability through redundant, independent data paths, because each CI adapter is connected with two pairs of CI cables.</li> <li>• Multiple access paths to disks and tapes.</li> </ul>

Figure C-1 shows an example of a mixed-architecture CI OpenVMS Cluster that has two servers: an Alpha and a VAX.

**Figure C-1 CIPCA in a Mixed-Architecture OpenVMS Cluster**

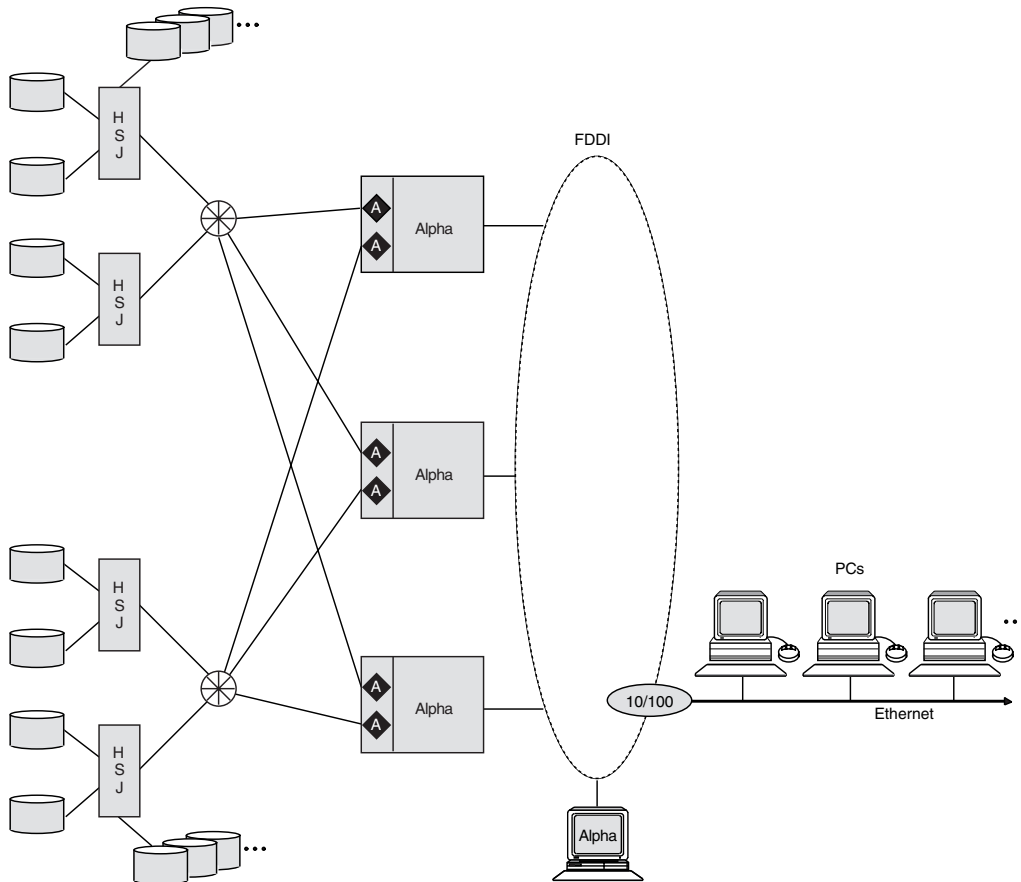


ZK-8484A-GE

As Figure C-1 shows, you can use the CIPCA adapter to connect an Alpha server to a CI OpenVMS Cluster that contains a VAX server with a CIXCD (or CIBCA-B) adapter. This enables you to smoothly integrate an Alpha server into a cluster that previously comprised only high-end VAX systems.

Figure C-2 shows another example of a configuration that uses the CIPCA to connect systems with the CI. In this example, each Alpha has two CIPCA adapters that allow connectivity to multiple CI star couplers and HSJ storage controllers for I/O load balancing or for OpenVMS shadow-set member isolation. Also, the Alpha systems are connected to a high-speed FDDI interconnect that provides additional connectivity for PC clients and OpenVMS satellites.

Figure C-2 CIPCA in an Alpha OpenVMS Cluster



ZK-8485A-GE

Figure C-1 and Figure C-2 show that the CIPCA makes the performance, availability, and large storage access of the CI available to a wide variety of users. The CI has a high maximum throughput. Both the PCI-based CIPCA and the XMI based CIXCD are highly intelligent microprocessor-controlled adapters that consume minimal CPU overhead.

Because the effective throughput of the CI bus is high, the CI interconnect is not likely to be a bottleneck. In large configurations like the one shown in Figure C-2, multiple adapters and CI connections provide excellent availability and throughput.

Although not shown in Figure C-1 and Figure C-2, you can increase availability by placing disks on a SCSI interconnect between a pair of HSJ controllers and connecting each HSJ to the CI.

## CI-to-PCI Adapter (CIPCA) Support

### C.2 Technical Specifications

## C.2 Technical Specifications

The CIPCA is a two-slot optional adapter. Two CIPCA models are available, the CIPCA-AA and the CIPCA-BA.

The CIPCA-AA was introduced first. It requires one PCI backplane slot and one EISA backplane slot. The EISA slot supplies only power (not bus signals) to the CIPCA. The CIPCA-AA is suitable for older systems with a limited number of PCI slots.

The CIPCA-BA requires two PCI slots and is intended for newer systems with a limited number of EISA slots.

The CIPCA driver is named the SYS\$PCAdriver. It is included in the OpenVMS operating system software.

Table C-1 shows the performance of the CIPCA in relation to the CIXCD adapter.

**Table C-1 CIPCA and CIXCD Performance**

Performance Metric	CIPCA	CIXCD
Read request rate (I/Os)	4900	5500
Read data Rate (MB/s)	10.6	10.5
Write request rate (I/Os)	4900	4500
Write data rate (MB/s)	9.8	5.8
Mixed request rate (I/Os)	4800	5400
Mixed data rate (MB/s)	10.8	9.2

For information about installing and operating the CIPCA, refer to the hardware manual that came with your CIPCA adapter: *CIPCA PCI-CI Adapter User's Guide*.

## C.3 Configuration Support and Restrictions

The CIPCA adapter is supported by AlphaServers with PCI buses, by CI-connected VAX host systems, by storage controllers, and by the CI star coupler expander.

### C.3.1 AlphaServer Support

Table C-2 describes CIPCA support on AlphaServer systems with PCI buses, including the maximum number of CIPCAs supported on each system.

**Table C-2 AlphaServer Support for CIPCAs**

System	Maximum CIPCAs	Comments
AlphaServer 8400	26	Can use a combination of CIPCA and CIXCD adapters, not to exceed 26. Prior to OpenVMS Version 7.1, the maximum is 10.

(continued on next page)

## CI-to-PCI Adapter (CIPCA) Support

### C.3 Configuration Support and Restrictions

**Table C-2 (Cont.) AlphaServer Support for CIPCAs**

System	Maximum CIPCAs	Comments
AlphaServer 8200	26	Prior to OpenVMS Version 7.1, the maximum is 10.
AlphaServer 4000, 4100	3	When using three CIPCAs, one must be a CIPCA-AA and two must be CIPCA-BA.
AlphaServer 4000 plus I/O expansion module	6	When using six CIPCAs, only three can be CIPCA-AA.
AlphaServer 1200	2	First supported in OpenVMS Version 7.1-1H1.
AlphaServer 2100A	3	
AlphaServer 2000, 2100	2	Only one can be a CIPCA-BA.

#### C.3.2 CI-Connected Host System Compatibility

For CI-connected host systems, CIPCA is supported by any OpenVMS VAX host using CIXCD or CIBCA-B as well as by any OpenVMS Alpha server host using CIPCA or CIXCD. This means that an Alpha server using the CIPCA adapter can coexist on a CI bus with VAX systems using CIXCD and CIBCA-B CI adapters.

The maximum number of systems supported in an OpenVMS Cluster system, 96, is not affected by the use of one or more CIPCAs, although the maximum number of CI nodes is limited to 16 (see Section C.3.4).

#### C.3.3 Storage Controller Support

The CIPCA adapter can coexist on a CI bus with all variants of the HSC/HSJ controllers except the HSC50. Certain controllers require specific firmware and hardware, as shown in Table C-3.

**Table C-3 Controller Requirements for Supporting CIPCA**

Controller	Requirement
HSJ30, HSJ40	HSOF Version 2.5 (or higher) firmware
HSC40, HSC70	Revision F (or higher) L109 module
HSJ80	ACS V8.5J (or higher) firmware

#### C.3.4 Star Coupler Expander Support

A CI star coupler expander (CISCE) can be added to any star coupler to increase its connection capacity to 32 ports. The maximum number of CPUs that can be connected to a star coupler is 16, regardless of the number of ports.

#### C.3.5 Configuration Restrictions

Note the following configuration restrictions:

##### **CIPCA-AA with EISA-Slot Link Module Rev. A01**

For the CIPCA-AA adapter with the EISA-slot link module Rev. A01, use the DIP switch settings described here to prevent arbitration timeout errors. Under heavy CI loads, arbitration timeout errors can cause CI path errors and CI virtual circuit closures.

## CI-to-PCI Adapter (CIPCA) Support

### C.3 Configuration Support and Restrictions

The DIP switch settings on the CIPCA-AA link module are used to specify cluster size and the node address. Follow these instructions when setting the DIP switches for link module Rev. A01 only:

- If the cluster size is set to 16, do not set a CI adapter to node address 15 on that star coupler.
- If the cluster size is set to 32, do not set a CI adapter to node address 31 on that star coupler. Also, do not set any CIPCA to node address 0 *or* do not set any CI adapter to node address 16.

These restrictions do not apply to the EISA slot link module Rev. B01 and higher or to the PCI-slot link module of the CIPCA-BA.

#### HSJ50 Firmware Requirement for Use of 4K CI Packets

Do not attempt to enable the use of 4K CI packets by the HSJ50 controller unless the HSJ50 firmware is Version 5.0J-3 or higher. If the HSJ50 firmware version is less than Version 5.0J-3 and 4K CI packets are enabled, data can become corrupted. If your HSJ50 firmware does not meet this requirement, contact your Compaq support representative.

## C.4 Installation Requirements

When installing CIPCA adapters in your cluster, observe the following version-specific requirements.

### C.4.1 Managing Bus Addressable Pool (BAP) Size

The CIPCA, CIXCD, and KFMSB adapters use bus-addressable pool (BAP). Starting with OpenVMS Version 7.1, AUTOGEN controls the allocation of BAP. After installing or upgrading the operating system, you must run AUTOGEN with the FEEDBACK qualifier. When you run AUTOGEN in this way, the following four system parameters are set:

- NPAG\_BAP\_MIN
- NPAG\_BAP\_MAX
- NPAG\_BAP\_MIN\_PA
- NPAG\_BAP\_MAX\_PA

The BAP allocation amount depends on the adapter type, the number of adapters, and the version of the operating system. The size of physical memory determines whether the BAP remains separate or is merged with normal, nonpaged dynamic memory (NPAGEDYN), as shown in Table C-4.

**Table C-4 BAP Allocation by Adapter Type and OpenVMS Version**

Adapter	Version 7.1	Version 7.2	Separate BAP or Merged
CIPCA	4 MB	2 MB	Separate if physical memory >1 GB; otherwise merged
CIXCD	4 MB	2 MB	Separate if physical memory >4 GB; otherwise merged
KFMSB	8 MB	4 MB	Separate if physical memory >4 GB; otherwise merged

For systems whose BAP is merged with nonpaged pool, the initial amount and maximum amount of nonpaged pool (as displayed by the DCL command SHOW MEMORY/POOL/FULL) do not match the value of the SYSGEN parameters NPAGEDYN and NPAGEVIR. Instead, the value of SYSGEN parameter NPAG\_BAP\_MIN is added to NPAGEDYN to determine the initial size, and the value of NPAG\_BAP\_MAX is added to NPAGEVIR to determine the maximum size.

Your OpenVMS system may not require as much merged pool as the sum of these SYSGEN parameters. After your system has been running a few days, use AUTOGEN with the FEEDBACK qualifier to fine-tune the amount of memory allocated for the merged, nonpaged pool.

#### C.4.2 AUTOCONFIGURE Restriction for OpenVMS Version 6.2-1H2 and OpenVMS Version 6.2-1H3

When you perform a normal installation boot, AUTOCONFIGURE runs automatically. AUTOCONFIGURE is run from SYS\$STARTUP:VMS\$DEVICE\_STARTUP.COM (called from SYS\$SYSTEM:STARTUP.COM), unless disabled by SYSMAN. If you are running OpenVMS Version 6.2-1H2 or OpenVMS Version 6.2-1H3 and you have customized your booting sequence, make sure that AUTOCONFIGURE runs or that you explicitly configure all CIPCA devices before SYSTARTUP\_VMS.COM exits.

### C.5 DECEvent for Analyzing CIPCA Errors

To analyze error log files for CIPCA errors, use DECEvent. The DCL command ANALYZE/ERROR\_LOG has not been updated to support CIPCA and other new devices; using that command will result in improperly formatted error log entries.

Install the DECEvent kit supplied on the OpenVMS Alpha CD-ROM. Then use the following DCL commands to invoke DECEvent to analyze dump files:

- DIAGNOSE — Analyzes the current system error log file
- DIAGNOSE *filename* — Analyzes the error log file named *filename.sys*

For more information about using DECEvent, use the DCL HELP DIAGNOSE command.

### C.6 Performance Recommendations

To enhance performance, follow the recommendations that pertain to your configuration.

#### C.6.1 Synchronous Arbitration

CIPCA uses a new, more optimal CI arbitration algorithm called synchronous arbitration instead of the older asynchronous arbitration algorithm. The two algorithms are completely compatible. Under CI saturation conditions, both the old and new algorithms are equivalent and provide equitable round-robin access to all nodes. However, with less traffic, the new algorithm provides the following benefits:

- Reduced packet transmission latency due to reduced average CI arbitration time.
- Increased node-to-node throughput.
- Complete elimination of CI collisions that waste bandwidth and increase latency in configurations containing only synchronous arbitration nodes.

## CI-to-PCI Adapter (CIPCA) Support

### C.6 Performance Recommendations

- Reduced CI collision rate in configurations with mixed synchronous and asynchronous arbitration CI nodes. The reduction is roughly proportional to the fraction of CI packets being sent by the synchronous arbitration CI nodes.

Support for synchronous arbitration is latent in the HSJ controller family. In configurations containing both CIPCAs and HSJ controllers, enabling the HSJs to use synchronous arbitration is recommended.

The HSJ CLI command to do this is:

```
CLI> SET THIS CI_ARB = SYNC
```

This command will take effect upon the next reboot of the HSJ.

#### C.6.2 Maximizing CIPCA Performance With an HSJ50 and an HSJ80

To maximize the performance of the CIPCA adapter with an HSJ50 or HSJ80 controller, it is advisable to enable the use of 4K CI packets by the HSJ50 or HSJ80. For the HSJ50, the firmware revision level must be at Version 5.0J-3 or higher. For the HSJ80, the firmware revision level must be at ACS V8.5J or higher.

---

#### Caution

---

Do not attempt to use 4K CI packets if your HSJ50 firmware revision level is not Version 5.0J-3 or higher, because data can become corrupted.

---

To enable the use of 4K CI packets, specify the following command at the HSJ50 or HSJ80 console prompt:

```
CLI> SET THIS_CONTROLLER CI_4K_PACKET_CAPABILITY
```

This command takes effect when the HSJ50 is rebooted.



---

## Multiple-Site OpenVMS Clusters

This appendix describes multiple-site OpenVMS Cluster configurations in which multiple nodes are located at sites separated by relatively long distances, from approximately 25 to 125 miles, depending on the technology used. This configuration was introduced in OpenVMS Version 6.2. General configuration guidelines are provided and the three technologies for connecting multiple sites are discussed. The benefits of multiple site clusters are cited and pointers to additional documentation are provided.

The information in this appendix supersedes the *Multiple-Site VMScluster Systems* addendum manual.

### D.1 What is a Multiple-Site OpenVMS Cluster System?

A **multiple-site OpenVMS Cluster system** is an OpenVMS Cluster system in which the member nodes are located in geographically separate sites. Depending on the technology used, the distances can be as great as 150 miles.

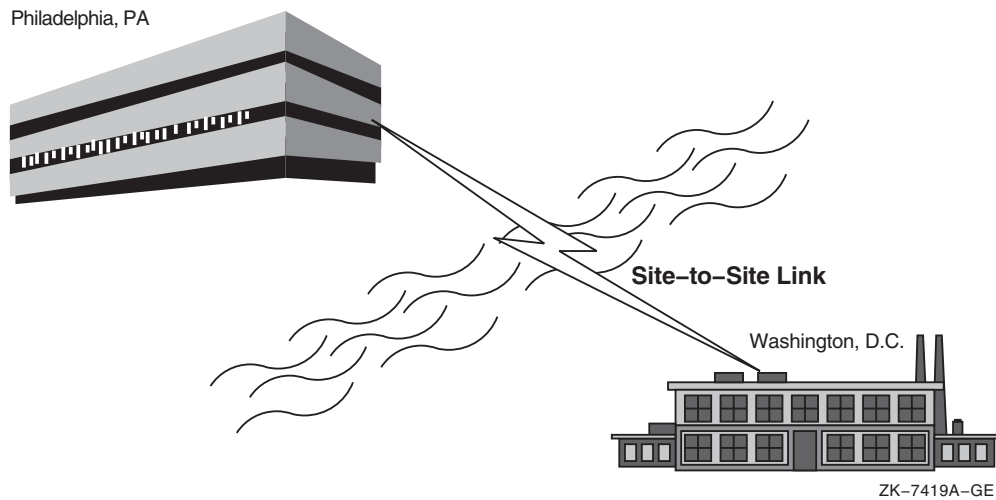
When an organization has geographically dispersed sites, a multiple-site OpenVMS Cluster system allows the organization to realize the benefits of OpenVMS Cluster systems (for example, sharing data among sites while managing data center operations at a single, centralized location).

Figure D-1 illustrates the concept of a multiple-site OpenVMS Cluster system for a company with a manufacturing site located in Washington, D.C., and corporate headquarters in Philadelphia. This configuration spans a geographical distance of approximately 130 miles (210 km).

# Multiple-Site OpenVMS Clusters

## D.1 What is a Multiple-Site OpenVMS Cluster System?

Figure D-1 Site-to-Site Link Between Philadelphia and Washington



### D.1.1 ATM, DS3, and FDDI Intersite Links

The following link technologies between sites are approved for OpenVMS VAX and OpenVMS Alpha systems:

- Asynchronous transfer mode (ATM)
- DS3
- FDDI

High-performance local area network (LAN) technology combined with the ATM, DS3, and FDDI interconnects allows you to utilize wide area network (WAN) communication services in your OpenVMS Cluster configuration. OpenVMS Cluster systems configured with the GIGAswitch crossbar switch and ATM, DS3, or FDDI interconnects approve the use of nodes located miles apart. (The actual distance between any two sites is determined by the physical intersite cable-route distance, and not the straight-line distance between the sites.) Section D.3 describes OpenVMS Cluster systems and the WAN communications services in more detail.

---

#### Note

---

To gain the benefits of disaster tolerance across a multiple-site OpenVMS Cluster, use Disaster Tolerant Cluster Services for OpenVMS, a system management and software package from HP.

Consult your HP Services representative for more information.

---

### D.1.2 Benefits of Multiple-Site OpenVMS Cluster Systems

Some of the benefits you can realize with a multiple-site OpenVMS Cluster system include the following:

## Multiple-Site OpenVMS Clusters

### D.1 What is a Multiple-Site OpenVMS Cluster System?

---

Benefit	Description
Remote satellites and nodes	A few systems can be remotely located at a secondary site and can benefit from centralized system management and other resources at the primary site, as shown in Figure D-2. For example, a main office data center could be linked to a warehouse or a small manufacturing site that could have a few local nodes with directly attached site-specific devices. Alternatively, some engineering workstations could be installed in an office park across the city from the primary business site.
Data center management consolidation	A single management team can manage nodes located in data centers at multiple sites.
Physical resource sharing	Multiple sites can readily share devices such as high-capacity computers, tape libraries, disk archives, or phototypesetters.
Remote archiving	Backups can be made to archival media at any site in the cluster. A common example would be to use disk or tape at a single site to back up the data for all sites in the multiple-site OpenVMS Cluster. Backups of data from remote sites can be made transparently (that is, without any intervention required at the remote site).
Increased availability	<p>In general, a multiple-site OpenVMS Cluster provides all of the availability advantages of a LAN OpenVMS Cluster. Additionally, by connecting multiple, geographically separate sites, multiple-site OpenVMS Cluster configurations can increase the availability of a system or elements of a system in a variety of ways:</p> <ul style="list-style-type: none"><li>• Logical volume/data availability—Volume shadowing or redundant arrays of independent disks (RAID) can be used to create logical volumes with members at both sites. If one of the sites becomes unavailable, data can remain available at the other site.</li><li>• Site failover—By adjusting the VOTES system parameter, you can select a preferred site to continue automatically if the other site fails or if communications with the other site are lost.</li><li>• Disaster tolerance—When combined with the software, services, and management procedures provided by the Disaster Tolerant Cluster Services for OpenVMS, you can achieve a high level of disaster tolerance. Consult your HP Services representative for further information.</li></ul>

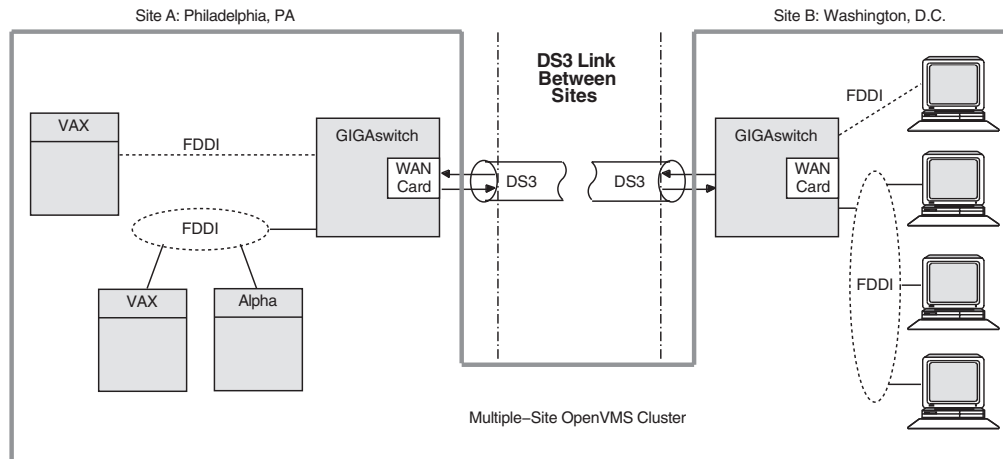
---

## Multiple-Site OpenVMS Clusters

### D.1 What is a Multiple-Site OpenVMS Cluster System?

Figure D–2 shows an OpenVMS Cluster system with satellites accessible from a remote site.

Figure D–2 Multiple-Site OpenVMS Cluster Configuration with Remote Satellites



ZK-7235A-GE

#### D.1.3 General Configuration Guidelines

The same configuration rules that apply to OpenVMS Cluster systems on a LAN also apply to a multiple-site OpenVMS Cluster configuration that includes ATM, DS3, or FDDI intersite interconnect. General LAN configuration rules are stated in the following documentation:

- OpenVMS Cluster Software *Software Product Description* (SPD 29.78.xx)
- Chapter 8 of this manual

Some configuration guidelines are unique to multiple-site OpenVMS Clusters; these guidelines are described in Section D.3.4.

## D.2 Using FDDI to Configure Multiple-Site OpenVMS Cluster Systems

Since VMS Version 5.4–3, FDDI has been the most common method to connect two distant OpenVMS Cluster sites. Using high-speed FDDI fiber-optic cables, you can connect sites with an intersite cable-route distance of up to 25 miles (40 km), the cable route distance between sites.

You can connect sites using these FDDI methods:

- To obtain maximum performance, use a full-duplex FDDI link at 100 Mb/s both ways between GIGAswitch/FDDI bridges at each site for maximum intersite bandwidth.
- To obtain maximum availability, use a dual FDDI ring at 100 Mb/s between dual attachment stations (DAS) ports of wiring concentrators or GIGAswitch/FDDI bridges for maximum link availability.

## D.2 Using FDDI to Configure Multiple-Site OpenVMS Cluster Systems

- For maximum performance and availability, use two disjoint FDDI LANs, each with dedicated host adapters and full-duplex FDDI intersite links connected to GIGAswitch/FDDI bridges at each site.

Additional OpenVMS Cluster configuration guidelines and system management information can be found in this manual and in *HP OpenVMS Cluster Systems*. See the *HP OpenVMS Version 8.2 Release Notes* for information about ordering the current version of these manuals.

The inherent flexibility of OpenVMS Cluster systems and improved OpenVMS Cluster LAN protocols also allow you to connect multiple OpenVMS Cluster sites using the ATM or DS3 or both communications services.

## D.3 Using WAN Services to Configure Multiple-Site OpenVMS Cluster Systems

This section provides an overview of the ATM and DS3 wide area network (WAN) services, describes how you can bridge an FDDI interconnect to the ATM or DS3 or both communications services, and provides guidelines for using these services to configure multiple-site OpenVMS Cluster systems.

The ATM and DS3 services provide long-distance, point-to-point communications that you can configure into your OpenVMS Cluster system to gain WAN connectivity. The ATM and DS3 services are available from most common telephone service carriers and other sources.

---

### Note

---

DS3 is not available in Europe and some other locations. Also, ATM is a new and evolving standard, and ATM services might not be available in all localities.

---

ATM and DS3 services are approved for use with the following OpenVMS versions:

Service	Approved Versions of OpenVMS
ATM	OpenVMS Version 6.2 or later
DS3	OpenVMS Version 6.1 or later

The following sections describe the ATM and DS3 communication services and how to configure these services into multiple-site OpenVMS Cluster systems.

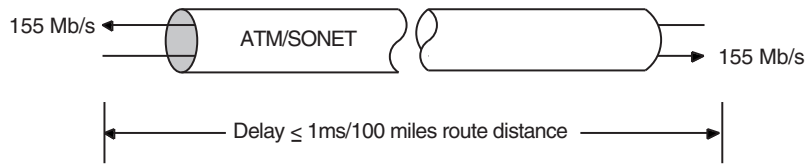
### D.3.1 The ATM Communications Service

The ATM communications service that uses the SONET physical layer (ATM/SONET) provides full-duplex communications (that is, the bit rate is available simultaneously in both directions as shown in Figure D-3). ATM/SONET is compatible with multiple standard bit rates. The SONET OC-3 service at 155 Mb/s full-duplex rate is the best match to FDDI's 100 Mb/s bit rate. ATM/SONET OC-3 is a standard service available in most parts of the world. In Europe, ATM/SONET is a high-performance alternative to the older E3 standard.

## Multiple-Site OpenVMS Clusters

### D.3 Using WAN Services to Configure Multiple-Site OpenVMS Cluster Systems

Figure D-3 ATM/SONET OC-3 Service



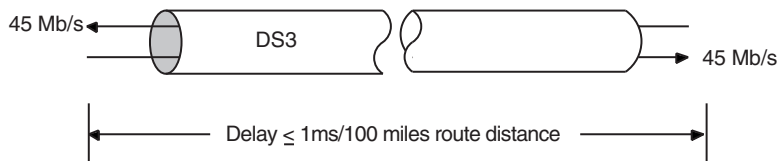
ZK-7614A-GE

To transmit data, ATM frames (packets) are broken into **cells** for transmission by the ATM service. Each cell has 53 bytes, of which 5 bytes are reserved for header information and 48 bytes are available for data. At the destination of the transmission, the cells are reassembled into ATM frames. The use of cells permits ATM suppliers to multiplex and demultiplex multiple data streams efficiently at differing bit rates. This conversion of frames into cells and back is transparent to higher layers.

#### D.3.2 The DS3 Communications Service (T3 Communications Service)

The DS3 communications service provides full-duplex communications as shown in Figure D-4. DS3 (also known as T3) provides the T3 standard bit rate of 45 Mb/s. T3 is the standard service available in North America and many other parts of the world.

Figure D-4 DS3 Service



ZK-7615A-GE

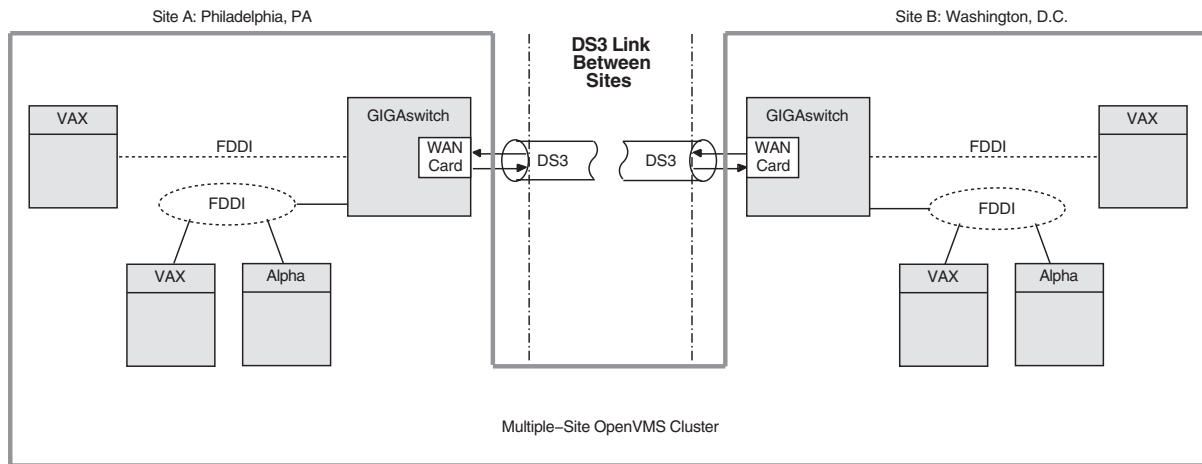
#### D.3.3 FDDI-to-WAN Bridges

You can use FDDI-to-WAN (for example, FDDI-to-ATM or FDDI-to-DS3 or both) bridges to configure an OpenVMS Cluster with nodes in geographically separate sites, such as the one shown in Figure D-5. In this figure, the OpenVMS Cluster nodes at each site communicate as though the two sites are connected by FDDI. The FDDI-to-WAN bridges make the existence of ATM and DS3 transparent to the OpenVMS Cluster software.

## Multiple-Site OpenVMS Clusters

### D.3 Using WAN Services to Configure Multiple-Site OpenVMS Cluster Systems

Figure D-5 Multiple-Site OpenVMS Cluster Configuration Connected by DS3



ZK-7234A-GE

In Figure D-5, the FDDI-to-DS3 bridges and DS3 operate as follows:

1. The local FDDI-to-DS3 bridge receives FDDI packets addressed to nodes at the other site.
2. The bridge converts the FDDI packets into DS3 packets and sends the packets to the other site via the DS3 link.
3. The receiving FDDI-to-DS3 bridge converts the DS3 packets into FDDI packets and transmits them on an FDDI ring at that site.

HP recommends using the GIGAswitch/FDDI system to construct FDDI-to-WAN bridges. The GIGAswitch/FDDI, combined with the DEFMT WAN T3/SONET option card, was used during qualification testing of the ATM and DS3 communications services in multiple-site OpenVMS Cluster systems.

#### D.3.4 Guidelines for Configuring ATM and DS3 in an OpenVMS Cluster System

When configuring a multiple-site OpenVMS Cluster, you must ensure that the intersite link's delay, bandwidth, availability, and bit error rate characteristics meet application needs. This section describes the requirements and provides recommendations for meeting those requirements.

##### D.3.4.1 Requirements

To be a configuration approved by HP, a multiple-site OpenVMS Cluster must comply with the following rules:

Maximum intersite link route distance

The total intersite link cable route distance between members of a multiple-site OpenVMS Cluster cannot exceed 150 miles (242 km). You can obtain exact distance measurements from your ATM or DS3 supplier.

*This distance restriction can be exceeded when using Disaster Tolerant Cluster Services for OpenVMS, a system management and software package for configuring and managing OpenVMS disaster tolerant clusters.*

## Multiple-Site OpenVMS Clusters

### D.3 Using WAN Services to Configure Multiple-Site OpenVMS Cluster Systems

Maximum intersite link utilization	Average intersite link utilization in either direction must be less than 80% of the link's bandwidth in that direction for any 10-second interval. Exceeding this utilization is likely to result in intolerable queuing delays or packet loss.
Intersite link specifications	The intersite link must meet the OpenVMS Cluster requirements specified in Table D-3.
OpenVMS Cluster LAN configuration rules	Apply the configuration rules for OpenVMS Cluster systems on a LAN to a configuration. Documents describing configuration rules are referenced in Section D.1.3.

#### D.3.4.2 Recommendations

When configuring the DS3 interconnect, apply the configuration guidelines for OpenVMS Cluster systems interconnected by LAN that are stated in the OpenVMS Cluster Software SPD (SPD 29.78.*nn*) and in this manual. OpenVMS Cluster members at each site can include any mix of satellites, systems, and other interconnects, such as CI and DSSI.

This section provides additional recommendations for configuring a multiple-site OpenVMS Cluster system.

#### DS3 link capacity/protocols

The GIGAswitch with the WAN T3/SONET option card provides a full-duplex, 155 Mb/s ATM/SONET link. The entire bandwidth of the link is dedicated to the WAN option card. However, the GIGAswitch/FDDI's internal design is based on full-duplex extensions to FDDI. Thus, the GIGAswitch/FDDI's design limits the ATM/SONET link's capacity to 100 Mb/s in each direction.

The GIGAswitch with the WAN T3/SONET option card provides several protocol options that can be used over a DS3 link. Use the DS3 link in clear channel mode, which dedicates its entire bandwidth to the WAN option card. The DS3 link capacity varies with the protocol option selected. Protocol options are described in Table D-1.

**Table D-1 DS3 Protocol Options**

Protocol Option	Link Capacity
ATM <sup>1</sup> AAL-5 <sup>2</sup> mode with PLCP <sup>3</sup> disabled.	39 Mb/s
ATM AAL-5 mode with PLCP enabled.	33 Mb/s
HDLC <sup>4</sup> mode (not currently available).	43 Mb/s

<sup>1</sup>Asynchronous transfer mode  
<sup>2</sup>ATM Adaptation Layer  
<sup>3</sup>Physical Layer Convergence Protocol  
<sup>4</sup>High-Speed Datalink Control

For maximum link capacity, HP recommends configuring the WAN T3/SONET option card to use ATM AAL-5 mode with PLCP disabled.



## D.3 Using WAN Services to Configure Multiple-Site OpenVMS Cluster Systems

### Intersite bandwidth

The intersite bandwidth can limit application locking and I/O performance (including volume shadowing or RAID set copy times) and the performance of the lock manager.

To promote reasonable response time, HP recommends that average traffic in either direction over an intersite link not exceed 60% of the link's bandwidth in that direction for any 10-second interval. Otherwise, queuing delays within the FDDI-to-WAN bridges can adversely affect application performance.

Remember to account for both OpenVMS Cluster communications (such as locking and I/O) and network communications (such as TCP/IP, LAT, and DECnet) when calculating link utilization.

### Intersite delay

An intersite link introduces a one-way delay of up to 1 ms per 100 miles of intersite cable route distance plus the delays through the FDDI-to-WAN bridges at each end. HP recommends that you consider the effects of intersite delays on application response time and throughput.

For example, intersite link one-way path delays have the following components:

- Cable route one-way delays of 1 ms/100 miles (0.01 ms/mile) for both ATM and DS3.
- FDDI-to-WAN bridge delays (approximately 0.5 ms per bridge, and two bridges per one-way trip)

Calculate the delays for a round trip as follows:

$$\text{WAN round-trip delay} = 2 \times (N \text{ miles} \times 0.01 \text{ ms per mile} + 2 \times 0.5 \text{ ms per FDDI-WAN bridge})$$

An I/O write operation that is MSCP served requires a minimum of two round-trip packet exchanges:

$$\text{WAN I/O write delay} = 2 \times \text{WAN round-trip delay}$$

Thus, an I/O write over a 100-mile WAN link takes at least 8 ms longer than the same I/O write over a short, local FDDI.

Similarly, a lock operation typically requires a round-trip exchange of packets:

$$\text{WAN lock operation delay} = \text{WAN round-trip delay}$$

An I/O operation with  $N$  locks to synchronize it incurs the following delay due to WAN:

$$\text{WAN locked I/O operation delay} = (N \times \text{WAN lock operation delay}) + \text{WAN I/O delay}$$

### Bit error ratio

The bit error ratio (BER) parameter is an important measure of the frequency that bit errors are likely to occur on the intersite link. You should consider the effects of bit errors on application throughput and responsiveness when configuring a multiple-site OpenVMS Cluster. Intersite link bit errors can result in packets being lost and retransmitted with consequent delays in application I/O response time (see Section D.3.6). You can expect application delays ranging from a few hundred milliseconds to a few seconds each time a bit error causes a packet to be lost.

## Multiple-Site OpenVMS Clusters

### D.3 Using WAN Services to Configure Multiple-Site OpenVMS Cluster Systems

#### Intersite link availability

Interruptions of intersite link service can result in the resources at one or more sites becoming unavailable until connectivity is restored (see Section D.3.5).

#### System disks

Sites with nodes contributing quorum votes should have a local system disk or disks for those nodes.

#### System management

A large, multiple-site OpenVMS Cluster requires a system management staff trained to support an environment that consists of a large number of diverse systems that are used by many people performing varied tasks.

#### Microwave DS3 links

You can provide portions of a DS3 link with microwave radio equipment. The specifications in Section D.3.6 apply to any DS3 link. The BER and availability of microwave radio portions of a DS3 link are affected by local weather and the length of the microwave portion of the link. Consider working with a microwave consultant who is familiar with your local environment if you plan to use microwaves as portions of a DS3 link.

### D.3.5 Availability Considerations

If the FDDI-to-WAN bridges and the link that connects multiple sites become temporarily unavailable, the following events could occur:

- Intersite link failures can result in the resources at one or more sites becoming unavailable until intersite connectivity is restored.
- Intersite link bit errors (and ATM cell losses) and unavailability can affect:
  - System responsiveness
  - System throughput (or bandwidth)
  - Virtual circuit (VC) closure rate
  - OpenVMS Cluster transition and site failover time

Many communication service carriers offer availability-enhancing options, such as path diversity, protective switching, and other options that can significantly increase the intersite link's availability.

### D.3.6 Specifications

This section describes the requirements for successful communications and performance with the WAN communications services.

To assist you in communicating your requirements to a WAN service supplier, this section uses WAN specification terminology and definitions commonly used by telecommunications service providers. These requirements and goals are derived from a combination of Bellcore Communications Research specifications and a Digital analysis of error effects on OpenVMS Clusters.

Table D-2 describes terminology that will help you understand the Bellcore and OpenVMS Cluster requirements and goals used in Table D-3.

Use the Bellcore and OpenVMS Cluster requirements for ATM/SONET - OC3 and DS3 service error performance (quality) specified in Table D-3 to help you assess the impact of the service supplier's service quality, availability, down time, and service-interruption frequency goals on the system.

## D.3 Using WAN Services to Configure Multiple-Site OpenVMS Cluster Systems

---

**Note**


---

To ensure that the OpenVMS Cluster system meets your application response-time requirements, you might need to establish WAN requirements that exceed the Bellcore and OpenVMS Cluster requirements and goals stated in Table D-3.

---

**Table D-2 Bellcore and OpenVMS Cluster Requirements and Goals Terminology**

Specification	Requirements	Goals
Bellcore Communications Research	<p>Bellcore specifications are the recommended “generic error performance requirements and objectives” documented in the Bellcore Technical Reference TR-TSY-000499 <i>TSGR: Common Requirements</i>. These specifications are adopted by WAN suppliers as their service guarantees. The FCC has also adopted them for tariffed services between common carriers. However, some suppliers will contract to provide higher service-quality guarantees at customer request.</p> <p>Other countries have equivalents to the Bellcore specifications and parameters.</p>	<p>These are the recommended minimum values. Bellcore calls these goals their “objectives” in the <i>TSGR: Common Requirements</i> document.</p>
OpenVMS Cluster	<p>In order for HP to approve a configuration, parameters must meet or exceed the values shown in the OpenVMS Cluster Requirements column in Table D-3.</p> <p>If these values are not met, OpenVMS Cluster performance will probably be unsatisfactory because of interconnect errors/error recovery delays, and VC closures that may produce OpenVMS Cluster state transitions or site failover or both.</p> <p>If these values are met or exceeded, then interconnect bit error-related recovery delays will not significantly degrade average OpenVMS Cluster throughput. OpenVMS Cluster response time should be generally satisfactory.</p> <p>Note that if the requirements are only being met, there may be several application pauses <b>per hour</b>.<sup>1</sup></p>	<p>For optimal OpenVMS Cluster operation, all parameters should meet or exceed the OpenVMS Cluster Goal values.</p> <p>Note that if these values are met or exceeded, then interconnect bit errors and bit error recovery delays should not significantly degrade average OpenVMS Cluster throughput.</p> <p>OpenVMS Cluster response time should be generally satisfactory, although there may be brief application pauses a few times <b>per day</b>.<sup>2</sup></p>

---

<sup>1</sup>Application pauses may occur every hour or so (similar to what is described under OpenVMS Cluster Requirements) because of packet loss caused by bit error.

<sup>2</sup>Pauses are due to a virtual circuit retransmit timeout resulting from a lost packet on one or more NISCA transport virtual circuits. Each pause might last from a few hundred milliseconds to a few seconds.

---

# Multiple-Site OpenVMS Clusters

## D.3 Using WAN Services to Configure Multiple-Site OpenVMS Cluster Systems

**Table D-3 OpenVMS Cluster DS3 and SONET OC3 Error Performance Requirements**

Parameter	Bellcore Requirement	Bellcore Goal	OpenVMS Cluster Requirement <sup>1</sup>	OpenVMS Cluster Goal <sup>1</sup>	Units
Errored seconds (% ES)	<1.0%	<0.4%	<1.0%	<0.028%	% ES/24 hr
	The ES parameter can also be expressed as a count of errored seconds, as follows:				
	<864	<345	<864	<24	ES per 24-hr period
Burst errored seconds (BES) <sup>2</sup>	≤4	–	≤4	Bellcore Goal	BES/day
Bit error ratio (BER) <sup>3</sup>	$1 \times 10^{-9}$	$2 \times 10^{-10}$	$1 \times 10^{-9}$	$6 \times 10^{-12}$	Errored bits/bit
DS3 channel unavailability	None	≤97 @ 250 miles, linearly decreasing to 24 @ ≤25 miles	None	Bellcore Goal	Min/yr
SONET channel unavailability	None	≤105 @ 250 miles, linearly decreasing to 21 @ ≤50 miles	None	Bellcore Goal	Min/yr
Channel-unavailable event <sup>4</sup>	None	None	None	1 to 2	Events/year

<sup>1</sup>Application requirements might need to be more rigorous than those shown in the OpenVMS Cluster Requirements column.

<sup>2</sup>Averaged over many days.

<sup>3</sup>Does not include any burst errored seconds occurring in the measurement period.

<sup>4</sup>The average number of channel down-time periods occurring during a year. This parameter is useful for specifying how often a channel might become unavailable.

### Table Key

- **Availability**—The long-term fraction or percentage of time that a transmission channel performs as intended. Availability is frequently expressed in terms of unavailability or down time.
- **BER (bit error ratio)**—“The BER is the ratio of the number of bits in error to the total number of bits transmitted during a measurement period, excluding all burst errored seconds (defined below) in the measurement period. During a burst errored second, neither the number of bit errors nor the number of bits is counted.”
- **BES (burst errored second)**—“A burst errored second is any errored second containing at least 100 errors.”
- **Channel**—The term for a link that is used in the Bellcore *TSGR: Common Requirements* document for a SONET or DS3 link.
- **Down time**—The long-term average amount of time (for example, minutes) that a transmission channel is not available during a specified period of time (for example, 1 year).
 

“...unavailability or downtime of a channel begins when the first of 10 [or more] consecutive Severely Errored Seconds (SEs) occurs, and ends when the first of 10 consecutive non-SEs occurs.”

The unavailable time is counted from the first SES in the 10-SES sequence.

“The time for the end of unavailable time is counted from the first fault-free second in the [non-SES] sequence.”
- **ES (errored second)**—“An errored second is any one-second interval containing at least one error.”
- **SES (severely errored second)**—“...an SES is a second in which the BER is greater than  $10^{-3}$ .”

## D.4 Managing OpenVMS Cluster Systems Across Multiple Sites

In general, you manage a multiple-site OpenVMS Cluster using the same tools and techniques that you would use for any OpenVMS Cluster interconnected by a LAN. The following sections describe some additional considerations and recommends some system management tools and techniques.

## Multiple-Site OpenVMS Clusters

### D.4 Managing OpenVMS Cluster Systems Across Multiple Sites

The following table lists system management considerations specific to multiple-site OpenVMS Cluster systems:

Problem	Possible Solution
<p>Multiple-site configurations present an increased probability of the following failure modes:</p> <ul style="list-style-type: none"><li>• OpenVMS Cluster quorum loss resulting from site-to-site communication link failure.</li><li>• Site loss resulting from power failure or other breakdown can affect all systems at that site.</li></ul>	<p>Assign votes so that one preferred site has sufficient votes to maintain quorum and to continue operation if the site-to-site communication link fails or if the other site is unavailable. Select the site with the most critical applications as the primary site. Sites with a few noncritical systems or satellites probably should not have sufficient votes to continue.</p>
<p>Users expect that the local resources will either continue to be available or will rapidly become available after such a failure. This might not always be the case.</p>	<p>Consider the following options for setting user expectations:</p> <ul style="list-style-type: none"><li>• Set management and user expectations regarding the likely effects of failures, and consider training remote users in the procedures to be followed at a remote site when the system becomes unresponsive because of quorum loss or other problems.</li><li>• Develop management policies and procedures for what actions will be taken to identify and handle these failure modes. These procedures may include manually adjusting quorum to allow a site to continue.</li></ul>

#### D.4.1 Methods and Tools

You can use the following system management methods and tools to manage both remote and local nodes:

- There are two options for remote-site console access when you use an intersite link through a DECserver in reverse LAT mode.
  - Use the following tools to connect remote consoles:
    - + SET HOST/LAT command
    - + POLYCENTER Console Manager
    - + OpenVMS Cluster Console System (VCS)
    - + Disaster Tolerant Cluster Services for OpenVMS, a HP system management and software package
  - Use a modem to dial up the remote system consoles.
- An alternative to remote-site console access is to have a system manager at each site.
- To enable device and processor control commands to take effect across all nodes in an OpenVMS Cluster system, use the System Management utility (SYSMAN) that is supplied with the OpenVMS operating system.

## Multiple-Site OpenVMS Clusters

### D.4 Managing OpenVMS Cluster Systems Across Multiple Sites

#### D.4.2 Shadowing Data

Volume Shadowing for OpenVMS allows you to shadow data volumes across multiple sites. System disks can be members of a volume shadowing or RAID set within a site; however, use caution when configuring system disk shadow set members in multiple sites. This is because it may be necessary to boot off a remote system disk shadow set member after a failure. If your system does not support FDDI booting, it will not be possible to do this.

See the Software Product Descriptions (SPDs) for complete and up-to-date details about Volume Shadowing for OpenVMS (SPD 27.29.xx) and StorageWorks RAID for OpenVMS (SPD 46.49.xx).

#### D.4.3 Monitoring Performance

Monitor performance for multiple-site OpenVMS Cluster systems as follows:

- Monitor the virtual circuit (VC) packet-loss count and round-trip time values using the System Dump Analyzer (SDA). The procedures for doing this are documented in *HP OpenVMS Cluster Systems*.
- Monitor the intersite link bit error ratio (BER) and packet loss using network management tools. You can use tools such as POLYCENTER NetView or DECMcc to access the GIGAswitch and WAN T3/SONET option card's management information and to set alarm thresholds. See the GIGAswitch, WAN T3/SONET card, POLYCENTER, and DECMcc documentation, as appropriate.

## A

---

Access paths  
  local adapter, 5–8  
  multiple, 5–8  
  system disk, 5–6

Accounting utility, 2–4

Adapters, 1–3  
  add-on SCSI, A–10  
  CIPCA, 8–17  
  DSSI, 4–13  
  local, 5–9  
  MEMORY CHANNEL, 4–7  
  multiple LAN, 8–9  
  SCSI, 4–10

Advanced Server for OpenVMS, 1–6

Alias  
  See OpenVMS Cluster systems

Allocation classes  
  HSZ, 6–7, 6–18  
  node, 6–17  
  port, 6–17  
    with HSZ allocation class, 6–7  
  setting for SCSI configurations, A–5, A–20, A–22

Alpha systems  
  coexisting with HP Integrity systems, 11–14  
  coexisting with VAX systems, 1–1, 3–1, 11–14

Alpha workstations, 10–27, 11–5

Applications  
  coding for high availability, 8–5  
  requirements, 2–3

Arbitration rules  
  control of SCSI bus  
    modifying the effect of, A–37  
  control of SCSI interconnect, A–36

ARC console, A–33

Architectures  
  Alpha and VAX, 1–1, 3–1, 11–13, 11–14

Arrays  
  for scaling disks and tapes, 10–2

ATM (asynchronous transfer mode)  
  communications service, D–5  
  intersite link specifications, D–10

AUTOGEN command procedure, 2–4, 8–6, 10–3

Availability  
  after LAN component failures, 8–9  
  backup copies, 5–6  
  CI, 4–11  
  data, 5–6  
  data and applications, 1–1  
  disk, 5–6  
  failover mechanisms, 3–3  
  in CI OpenVMS Cluster systems, 8–15  
  increasing boot servers, 11–5  
  in DSSI OpenVMS Cluster systems, 8–12  
  in LAN OpenVMS Cluster systems, 8–6  
  in MEMORY CHANNEL OpenVMS Cluster systems, 8–18  
  in multiple-site OpenVMS Cluster systems, 8–23  
  in satellite OpenVMS Cluster systems, 8–20  
  levels, 2–2, 8–1  
  requirements, 2–2  
  SCSI storage, 8–18  
  storage optimizers, 5–6  
  strategies for achieving, 8–4  
  strategies for maintaining, 8–5  
  system disk, 5–6  
  through selection of MOP servers, 8–9  
  volume shadowing, 5–6

Availability Manager  
  for OpenVMS Cluster availability, 8–3

## B

---

Backup  
  for availability, 5–6  
  importance of, 8–6  
  redundancy, 5–6

Bandwidth  
  in extended LANs, 10–31

Baseband network  
  See Ethernet interconnects

Batch queues  
  availability features, 8–3  
  sharing clusterwide, 1–4

BNGBX-*nn* fiber-optic cable, 4–5

Boot device paths  
  configuring on FC, 7–44



- Booting
  - cross-architecture, 11–14
  - decreasing time with multiple system disks, 11–5
  - sequence for LAN, 11–7
- Boot servers
  - failover, 8–3
  - for satellites, 11–7
- Bottlenecks
  - reducing, 5–5, 10–3, 10–8
- Bridges
  - between LAN segments, 10–30
  - Ethernet-to-FDDI, 4–18
  - limiting, 10–30
- Buses
  - internal, 5–8
- Business applications, 1–7
- Business requirements
  - availability, 2–2
  - budget, 2–1
  - determining, 2–1
  - future growth, 2–2
  - physical restrictions, 2–2
  - scalability, 2–2
  - security, 2–3

## C

---

- Caches, 5–5, 10–35
- Capacity planning
  - availability considerations, 8–5
  - CI storage, 10–8
  - scalability considerations, 10–3
- CCL
  - See Command Console LUN
- CI (computer interconnect)
  - adapter, 4–11
  - advantages, 4–11
  - capacity planning, 10–8
  - definition, 4–10, 5–7
  - guidelines, 10–8
  - highly available OpenVMS Cluster systems, 8–15
  - load sharing, 4–12
  - OpenVMS Cluster configurations, 10–4
  - redundancy, 4–11
  - storage, 5–7
  - supported storage devices, 5–7
  - throughput, 4–11
  - volume shadowing guidelines, 10–8
- CIPCA adapter, C–1 to C–8
  - configuration requirements, C–4
  - features, C–1
  - in a CI cluster, 8–17
  - sample configurations, C–2
  - technical specifications, C–4

- Clusters
  - See OpenVMS Clusters
- Clusterwide process services
  - role in OpenVMS Cluster, 1–4
- CLUSTER\_CONFIG.COM command procedure, 7–47
- CLUSTER\_CONFIG\_LAN.COM command procedure, 7–47
- Command Console LUN (CCL)
  - setting device identifier, 7–46
- Common-environment OpenVMS Cluster systems, 11–8
  - benefits, 11–9
  - separate disk, 11–9
- Communications services
  - ATM in OpenVMS Cluster system, D–5
  - DS3 in OpenVMS Cluster system, D–5
- Configuration requirements
  - Fibre Channel tape devices, 7–26
- Configurations
  - See Fibre Channel configurations or SCSI configurations
- Connection manager
  - role in OpenVMS Cluster, 1–4
- Controller-based cache, 10–35
- Controllers
  - disk caches, 5–5
  - HSZ40 controllers, A–12
  - scaling, 10–2
- Converters
  - using DWZZx in SCSI OpenVMS Cluster systems, A–12
- CPUs
  - See Processors
- Cross-architecture
  - booting, 11–14

## D

---

- Data
  - access in OpenVMS Cluster environments, 1–1
  - availability, 5–6
  - redundancy, 5–6
- Databases
  - storage requirements, 5–3
- Database systems, 1–7
- Data vaulting solution, 7–8
- DCL lexicals
  - F\$GETDVI, 7–26
- DECams, 1–6
  - operations management, 2–4
- DECevent
  - use in Fibre Channel configurations, 7–9
- DECnet software
  - DECnet-Plus network transport, 1–6
  - OpenVMS Cluster alias, 8–2



- DECram for OpenVMS, 1–6, 5–5, 10–35
- Device IDs
  - See also SCSI disks
  - configuring for SCSI, A–21
  - Fibre Channel, 7–15
    - storage adapter, 7–18
    - storage adapter names, 7–15
    - storage devices, 7–19
    - tape devices, 7–22
    - WWIDs, 7–15, 7–22
  - HSZ allocation classes, 6–18
  - multipath
    - parallel SCSI, 6–16
  - node allocation classes, 6–17
  - port allocation classes, 6–17
- Differential signaling
  - for SCSI, A–8
- DIGITAL Availability Manager for Distributed Systems
  - See DECamds
- Disaster-tolerant OpenVMS Cluster configurations, 8–24
- Disks
  - availability, 5–6
  - caches, 5–5, 10–35
  - data
    - shadowing, 8–4
  - estimating requirements, 5–3
  - page and swap, 11–7
  - performance optimizers, 5–4
  - RF series, 4–13
  - SCSI, A–1
    - accessing SCSI, A–2
    - concepts, A–6
    - configuration requirements, A–3
  - solid-state, 5–5
- Disk servers
  - failover, 8–3
- Disk striping
  - See RAID
- Disk technologies, 10–34
  - See also RAID
- Distributed job controllers
  - See Job controllers
- Drivers
  - DKDRIVER, 1–5
  - DUDRIVER, 1–5, B–10
  - Ethernet E\*driver, 1–5
  - FDDI F\*driver, 1–5
  - FG\*driver, 1–5
  - MCDRIVER, 1–5, B–10
  - PADRIVER, 1–5
  - PBDRIVER, 1–5
  - PEDRIVER, 1–5, B–10
  - PG\*DRIVER, 1–5
  - PIDRIVER, 1–5
  - PK\*DRIVER, 1–5

- Drivers (cont'd)
  - PMDRIVER, 1–5, B–10, B–13
  - PNDRIVER, 1–5, B–10
  - port, 1–5
  - TUDRIVER, 1–5
- DS3 communications service, D–5
- DS3 intersite link specifications, D–10
- DSSI (DIGITAL Storage Systems Interconnect)
  - adapters, 4–13
  - definition, 4–12
  - highly available OpenVMS Cluster systems, 8–12
  - limits, 10–11
  - OpenVMS Cluster configurations, 10–11
  - supported storage devices, 5–7

## E

---

- Enterprise systems
  - uses, 3–2
- Enterprise Virtual Array HSV Controller, 7–6
- Environment files
  - managing, 11–2
- Environments
  - common, 11–2, 11–8
  - multiple, 11–2, 11–9
- Error-handling requirements, D–10
- Error log entries and OPCOM messages, A–33
- Ethernet, 4–14
  - booting LAN segments, 10–30
  - extended LAN guidelines, 10–30
  - Fast, 4–1
  - fifty-one node OpenVMS Cluster, 10–26
  - Gigabit, 4–1, 4–18
  - guidelines, 10–30
  - satellite limit, 10–30
  - scaling, 10–2
  - six-satellite OpenVMS Cluster, 10–23, 10–24
  - throughput, 4–16
  - traffic considerations, 4–16
  - twelve-satellite OpenVMS Cluster, 10–25
- Ethernet-to-FDDI bridges, 4–18
- EXPECTED\_VOTES system parameter, 10–32, 11–12
- Extended file cache, 5–5
- Extended LANs
  - configuration guidelines, 10–30

## F

---

- F\$GETDVI lexical function
  - keyword WWID, 7–26
- Failover
  - definition, 4–3
  - direct SCSI to direct SCSI, 6–2, 6–6
  - direct SCSI to MSCP served, 6–2, 6–4, 6–6
  - HSx modes
    - multibus, 6–3, 6–10

- Failover
  - HSx modes (cont'd)
    - transparent, 6-2, 6-9
  - MSCP served to direct SCSI, 6-4
  - multibus, 6-2
  - multipath
    - how performed by OpenVMS, 6-35
  - multiple access paths, 5-6
  - OpenVMS Cluster mechanisms, 8-2
  - planning for, 8-5
  - transparent, 6-2, 6-13
- Fast Ethernet, 4-1
- FC\$CP
  - See Fibre Channel Control Program
- FCTC-II, 7-22
- FDDI (Fiber Distributed Data Interface)
  - advantages, 4-20, 10-27
  - Alpha workstations, 10-27
  - definition, 4-20
  - multiple-site OpenVMS Clusters, D-4
  - scalability, 10-2
  - throughput, 4-20
- FGx0 adapter, 7-18
- Fibre Channel addressing, 7-15
- Fibre Channel configurations, 7-9
  - adding a node to an OpenVMS cluster system, 7-47
  - booting, 7-39
  - components, 7-6
  - displaying information, 7-36
  - dual-ported storage controllers, 6-20
  - dumping, 7-39
  - enabling clustering, 7-47
  - FIBRE\_SCAN utility, 7-54
  - limits, 7-6
  - multipath, 6-20
  - online reconfiguration, 7-52
  - path identifiers, 6-27, 7-18
  - shared FC system disk, 7-47
  - SHOW DEVICE command, 7-41
  - wwidmgr command, 7-36
- Fibre Channel Control Program (FC\$CP), 7-53
- Fibre Channel devices
  - See also Fibre Channel disks, Fibre Channel tape devices, and MDR
  - FGx0 adapter, 7-18
  - host adapter, 7-6
  - HSG60 controller, 7-6
  - HSG80 controller, 7-6
  - HSG controller, 7-45
  - HSV110 controller, 7-6
  - naming, 7-5
  - PGx0 SCSI pseudodevice, 7-18
  - storage adapter names, 7-18
  - switch, 6-1, 7-1
- Fibre Channel disks
  - booting, 7-39
  - dumping, 7-39

- Fibre Channel interconnect, 4-5, 7-1
  - supported media, 7-2
- Fibre Channel tape bridges
  - swapping, 7-33
- Fibre Channel Tape Controller II, 7-22
- Fibre Channel tape devices
  - changing names, 7-32
  - configuring, 7-26
  - find physical locations, 7-34
  - moving, 7-33
  - naming, 7-22
  - replacing, 7-34
  - serving, 7-33
- Fibre Channel WWIDs
  - See Device IDs
    - Fibre Channel
- FIBRE\_SCAN utility, 7-54
- Files
  - environment, 11-8
  - hot, 10-36
  - page and swap, 11-2
  - storage requirements, 5-3
  - system and environment, 11-2
- Floor space requirements
  - storage, 5-3
- Foreign devices
  - bus resets, A-33

## G

---

- Gigabit Ethernet, 4-1
  - configuration guidelines, 4-18
- Grounding
  - SCSI requirements, A-20
  - troubleshooting, A-36
- Growth requirements, 2-2

## H

---

- Hardware
  - add-on SCSI adapters, A-10
  - availability strategies, 8-4
  - BA350/BA353 StorageWorks enclosures, A-10
  - components, 1-2
  - DWZZx converters, A-12
  - HSZ40 controllers, A-12
  - in SCSI OpenVMS Cluster systems, A-9
  - scalability strategies, 10-3
- Hardware requirements
  - Fibre Channel tape devices, 7-21
- Host-based cache, 10-35
- Host-based RAID
  - support in SCSI OpenVMS Cluster configurations, A-4
- Host-based shadowing
  - support in SCSI OpenVMS Cluster configurations, A-4

- Host-based storage, 5–8
- Host IDs
  - configuring for SCSI, A–20
- Hosts
  - in an OpenVMS Cluster system, A–1
- Hot files, 10–33
  - analyzing activity of, 10–36
- Hot plugging (SCSI devices), A–38
- HP ACMS software, 1–7
- HP Availability Manager, 1–6
- HP Insight Management Agents for OpenVMS, 2–4
- HP Integrity systems, 3–1
- HP OpenVMS I64 operating system, 3–1
- HSG60 controller, 7–2, 7–6
- HSG80 controller, 6–2, 6–20, 7–2, 7–6
- HSG controller
  - configuring for OpenVMS, 7–45
  - devices not configured, 7–52
- HSJ50 controller
  - firmware requirement, C–6
  - maximizing performance, C–8
- HSJ80 controller
  - CIPCA support, C–5
  - maximizing performance, C–8
- HSV110 controller, 6–2, 7–6
- HSV110 storage controller, 7–45
- HSZ70 controller, 6–2
- HSZ80 controller, 6–2
- HSZ allocation classes
  - See Allocation classes

## I

---

- I/O paths
  - availability, 8–2
  - failover, 8–2
- I/O requirements, 2–3
- I/O throughput
  - caches, 10–35
  - disk technologies, 10–34
  - hot files, 10–36
  - MONITOR IO command, 10–36
  - MONITOR MSCP command, 10–36
  - packet sizes, 10–35
  - read/write ratio, 10–35
  - scaling, 10–2, 10–33 to 10–37
  - volume shadowing, 10–36
- Installation procedures
  - configuring SCSI node IDs, A–20
  - SCSI OpenVMS Cluster systems, A–19
- Interconnects
  - accessing SCSI storage over, A–2
  - ATM, D–5
  - characteristics, 4–2
  - CI, 4–10
  - corresponding storage devices, 5–2
  - definition, 4–1

## Interconnects (cont'd)

- DS3, D–5
- DSSI, 4–12
- Ethernet, 4–14
- failover, 8–2
- FDDI, 4–20, D–4
- Fibre Channel, 4–5
- MEMORY CHANNEL, 4–6
  - mixed, 4–4
  - multiple, 4–3
  - scaling, 10–2
- SCSI, 4–8, A–1
  - troubleshooting SCSI, A–34
- types, 1–2, 4–1
- Interdependencies
  - reducing, 10–3
- Internal buses, 5–8
- Internet networking protocols, 1–6
- Interrupt coalescing, 7–53
- Intersite link specifications, D–8, D–10
- Interswitch links
  - See ISLs
- IO FIND\_WWID command, 7–27
- IO FIND\_WWID SYSMAN command, 7–25
- IO REPLACE\_WWID SYSMAN command, 7–25, 7–34
- ISLs (interswitch links), 7–2

## J

---

- Job controllers
  - distributed, 1–4

## K

---

- KGPSA host adapter, 4–5

## L

---

- LANs (local area networks)
  - adapters
    - connected to LAN paths, 10–30
    - multiple, 8–9
  - configurations, 8–10
  - highly available, 8–6
  - multiple paths, 4–15
  - multiple-site OpenVMS Cluster, 8–24, D–3
  - reduced utilization, 11–5
  - segments
    - multiple, 8–9
    - three in OpenVMS Cluster configuration, 8–11
    - two in OpenVMS Cluster configuration, 8–10
- LAT software, 1–6
  - for OpenVMS Cluster availability, 8–3

Layered products  
  storage requirements, 5–3

Load balancing  
  definition, 4–3

LOCKDIRWT system parameter, 10–32

Lock manager  
  distributed, 1–4

Low end systems, 3–2

## M

---

Magnetic disks, 10–35

Managing multiple sites, D–13

MCDRIVER, B–10

MDR (Modular Data Router), 7–2f, 7–6, 7–21, 7–36  
  dual Fibre Channel ports, 7–35

Medium changer device, 7–22

Memory  
  adding, 2–3, 10–2  
  adding on satellites, 10–30

MEMORY CHANNEL, 4–7  
  adapter, 4–7  
  addressing, B–10  
  comparison with SMP, B–8  
  comparison with traditional networks, B–8  
  configuration examples, B–5  
  configuration requirements, B–7  
  definition, 4–6  
  drivers, B–10  
  features, B–1  
  four-node OpenVMS Cluster, 10–17  
  global writes, B–11  
  hardware, B–2  
  high availability configurations, B–4  
  highly available OpenVMS Cluster system, 8–18  
  implementation, B–13  
  in OpenVMS Cluster architecture, B–10  
  limits, 10–15  
  memory requirements, B–4  
  NPAGEVIR parameter, B–5  
  page control table, B–12  
  product overview, B–1  
  supported systems, B–7  
  technical overview, B–8  
  three-node OpenVMS Cluster, 10–16  
  throughput, 4–7  
  two-node OpenVMS Cluster, 10–15

Memory requirements, 2–3

Midrange systems  
  uses, 3–2

Migration support, 11–13

Mixed-architecture OpenVMS Cluster systems, 1–1, 3–1, 11–13

Mixed-version OpenVMS Cluster systems, 11–13

Modular Data Router  
  See MDR  
  See MDR.

MONITOR IO command  
  isolating hot disks, 10–36

MONITOR MSCP command  
  for hot files, 10–36

Monitor utility, 2–5

MOP servers  
  selecting for availability, 8–9

MPDEV\_AFB\_INTVL system parameter, 6–27

MPDEV\_D1 system parameter, 6–27

MPDEV\_ENABLE system parameter, 6–26

MPDEV\_LCRETRIES system parameter, 6–26

MPDEV\_POLLER system parameter, 6–26

MPDEV\_REMOTE system parameter, 6–26

MSCP servers  
  adding satellites, 10–3  
  benefit, 10–33  
  dynamic load balancing, 10–30  
  I/O overhead, 10–33  
  load balancing, 4–3  
  read/write ratios, 10–35  
  role in OpenVMS Cluster, 1–4  
  served packets, 10–34

MSCP\_LOAD system parameter, 10–32

Multipath SCSI support  
  See SCSI configurations

Multipath set, 6–2

Multipath tape support for Fibre Channel  
  configurations, 7–36

Multiple-site OpenVMS Cluster systems, 8–23

## N

---

NETNODE\_REMOTE.DAT file, 11–8

NETNODE\_UPDATE.COM file, 11–8

NETPROXY.DAT file, 11–7, 11–8

Networking software, 1–5

NFS (network file system)  
  server software, 1–6

NISCS\_MAX\_PKTSZ system parameter, 10–32

Node allocation classes  
  See Allocation classes

Node count  
  limited, 10–3

Nodes  
  in an OpenVMS Cluster system, A–1

NPAGEDYN system parameter, 10–32, C–7

NPAGEVIR system parameter, C–7

NSR (Network Storage Router), 7–6, 7–21, 7–26, 7–36  
  IO FIND\_WWID command, 7–27  
  IO REPLACE\_WWID command, 7–34  
  SCSI-LUN, 7–34

## O

---

- OpenVMS Cluster systems
  - alias, 8–2
  - CLUSTER\_CONFIG.COM, A–26
  - common environment, 11–2, 11–8
  - components
    - hardware, 1–2
    - operating system, 1–3
    - software, 1–3
  - configurations
    - general rules, 1–7
  - DECnet-Plus requirement, 1–8
  - determining business requirements, 2–1
  - disaster tolerant, 8–24
  - dividing, 11–6
  - environmental risks, 8–4
  - hardware changes, 8–5
  - highly available, 8–18
  - hosts, nodes, and computers, A–1
  - installing SCSI, A–19
  - mixed-architecture support, 11–13
  - mixed-version support, 11–13
  - multipath tape support for Fibre Channel
    - configurations, 7–36
  - multiple environments, 11–2
  - multiple-environments
    - benefits, 11–9
  - planning for future expansion, 2–2
  - remedial kits, 11–14
  - SCSI configuration requirements, A–3
  - SCSI hardware configurations, A–9
  - SCSI performance, A–7
  - SCSI storage connected to a single host, A–2
  - SCSI storage connected to multiple hosts, A–2
  - SCSI storage interconnect, A–1
  - security, 11–10
  - shared SCSI storage concepts, A–6
  - simple and complex, 11–1
  - size and complexity, 8–5
  - software changes, 8–5
  - tools and utilities, 2–4, 2–6
  - warranted and migration support, 11–13
- OpenVMS Galaxy
  - SMCI, 4–1
- OpenVMS Management Station, 2–5
- OpenVMS operating system
  - components, 1–3
  - multiple versions in an OpenVMS Cluster, 11–14
- OpenVMS utilities
  - Monitor utility, 2–5
  - Show Cluster utility, 2–5
- Optimizers
  - disk performance, 5–4
  - storage availability, 5–6

Oracle software, 1–7

## P

---

- Packet sizes
  - in extended LANs, 10–32
- Page and swap disks, 11–7
- PAGEDYN system parameter, 10–32
- Parameters
  - See System parameters
- Path identifiers
  - See also Device IDs
  - Fibre Channel, 6–27, 7–18
  - Fibre Channel multipath, 6–27
  - parallel SCSI, 6–27
- Path names
  - See Path identifiers
- Paths
  - current, 6–30, 6–33
    - polling, 6–32
  - multiple
    - precedence order, 6–33
    - selection, 6–33
  - polling, 6–31
  - primary, 6–30
- Path selection
  - mounting tape drive, 6–34
- PATHWORKS for OpenVMS, 1–6
- PEDRIVER
  - congestion control, 10–31
- Performance
  - application, 11–5
  - data transfer rates, A–7
  - SCSI storage, A–7
    - system, 11–5
- Performance requirements, D–10
- Peripheral devices, 1–3
- PGx0 SCSI pseudodevice, 7–18
- PMDRIVER, B–10, B–13
- Polling parameters, 11–13
- Polling timers
  - See Timers
- Port allocation classes
  - See Allocation classes
- Print queues
  - availability features, 8–3
  - sharing clusterwide, 1–4
- Processor configurations
  - OpenVMS Cluster system, 3–3
- Processors
  - availability, 3–3
  - characteristics, 3–4
  - requirements, 2–3
- Process quotas
  - increasing, 11–11

## Q

---

- QDSKINTERVAL system parameter, 11–13
- QMAN\$MASTER.DAT file, 11–7, 11–8, 11–11
- Queue managers
  - multiple, 11–11
- Queuing delays
  - in extended LANs, 10–30
- Quorum, 8–4
  - definition, 11–11
- Quorum disk
  - strategies, 11–11
  - watchers, 11–11

## R

---

- RAID (redundant arrays of independent disks)
  - disk striping (level 0), 1–6, 5–5, 10–34, 10–35
    - hot files, 10–36
  - disk striping with parity (level 5), 1–6
  - SCSI storage, A–2
  - volume shadowing (level 1), 1–6
- Rdb
  - See Oracle software
- Read/write ratio
  - I/O throughput, 10–35
- RECNXINTERVL system parameter, 10–32, 11–13
- Redundancy
  - backup copies, 5–6
  - boot servers, 8–3
  - CI, 4–11
  - components, 8–2, 8–4
  - data, 5–6
  - disks, 5–6
  - Ethernet bridges, 10–2
  - Ethernet segments, 10–2
  - I/O paths, 8–2
  - interconnects, 8–2
  - LAN adapters, 10–30
  - scaling, 10–2
  - system disk, 5–6
- Redundant arrays of independent disks
  - See RAID
- Reliability
  - hardware, 8–5
- Reliable Transaction Router, 1–7
- Resources
  - availability consideration, 8–5
  - sharing, 1–1
- Retransmission timeout rate, 10–31
- RIGHTSLIST.DAT file, 11–8
- Ring latency
  - calculating, 10–30

## RMS

- role in OpenVMS Cluster, 1–4

## Roots

- system, 11–7

## S

---

- Satellite OpenVMS Cluster systems
  - highly available, 8–20
- Satellites
  - definition, 8–20, 10–23
  - proximity to servers, 10–3
- Scalability
  - alternative capabilities, 3–3
  - definition, 10–1
  - growth dimensions, 10–1
  - I/Os, 10–33
  - in CI OpenVMS Cluster systems, 10–4
  - in DSSI OpenVMS Cluster systems, 10–11
  - in MEMORY CHANNEL OpenVMS Cluster systems, 10–15
  - in OpenVMS Cluster systems with satellites, 10–23
  - in SCSI OpenVMS Cluster systems, 10–18
  - planning an OpenVMS Cluster, 2–2
  - processing and storage, 1–2
  - processor capacity, 10–3
  - requirements, 2–2
  - strategies for achieving, 10–3
- SCC mode, 7–21
- SCS (System Communications Services)
  - role in OpenVMS Cluster, 1–4
- SCSI bus
  - See SCSI interconnect
- SCSI Command Controller (SCC) mode, 7–21
- SCSI concepts, A–6
- SCSI configurations
  - building SCSI OpenVMS Cluster systems with DWZZx converters, A–12
  - building with BA350/BA353 StorageWorks enclosures, A–10
  - configuring device IDs, A–21
  - configuring SCSI node IDs, A–20
  - configuring with CLUSTER\_CONFIG.COM, A–26
  - fast-wide OpenVMS Cluster, 10–18
  - four-node Ultra SCSI OpenVMS Cluster, 10–22
  - hardware, A–9
    - add-on SCSI adapters, A–10
    - BA350/BA353 StorageWorks enclosures, A–10
    - DWZZx converters, A–12
    - HSZ40 controller, A–12
  - installing SCSI OpenVMS Cluster systems, A–19
  - multibus, 6–2
  - multihost SCSI access on OpenVMS Cluster system, A–2



- SCSI configurations (cont'd)
  - multipath, 6–13
    - requirements, 6–6
    - transparent failover, 6–13
  - multiported storage controllers, 6–14
  - requirements, A–3
  - SCSI hardware, A–9
  - SCSI interconnect requirements, A–3
  - single-ended and differential SCSI signaling, A–8
  - single-host SCSI access on OpenVMS Cluster system, A–2
  - three-node fast-wide OpenVMS Cluster, 10–20
    - with SCSI hub, 10–22
  - troubleshooting SCSI OpenVMS Cluster systems, A–34
  - two-node fast-wide OpenVMS Cluster
    - with HSZ storage, 10–19
  - unique SCSI device IDs, A–7
  - using CLUSTER\_CONFIG for SCSI OpenVMS Cluster systems, A–26
- SCSI console
  - setting parameters, A–24
- SCSI disks
  - accessing, A–2
  - configuration requirements, A–3
  - modes of operation, A–7
  - unique device IDs, A–7
- SCSI interconnect, A–1
  - adapters, 4–10
  - advantages, 4–8
  - ANSI standard, A–1
  - arbitration rules, A–36, A–37
  - bus resets, A–29, A–33
  - cabling and termination, A–9
  - concepts, A–6
  - connected to a single host, A–2
  - connected to multiple hosts, A–2
  - control of, A–36
  - data transfer rates, A–7
  - definition, 4–8
  - grounding requirements, A–20
  - hot plugging devices with, A–38
  - installation, A–19
  - maximum distances, 4–9, A–8
  - maximum length, A–8
  - number of devices supported, A–6
  - performance, A–7
  - power up and verify, A–22
  - scalability, 10–18
  - show and set console parameters, A–24
  - storage, 5–8
  - supported devices, 5–8
  - TERMPWR line, A–9
  - troubleshooting, A–34
- SCSI onfigurations
  - SCSI OpenVMS Cluster systems, A–1
  - SCSI\_PATH\_VERIFY command
    - FC disk devices, 7–52
  - Security requirements, 2–3
  - Servers
    - capacity, 10–3
    - proximity to satellites, 10–3
  - SET DEVICE/PATH command, 6–23
  - SET DEVICE/[NO]POLL command, 6–32
  - SET UNIT PREFERRED\_PATH command, 6–33
  - Shadowing
    - See Volume Shadowing for OpenVMS
  - SHADOW\_MAX\_COPY system parameter, 10–32
  - Shared Memory CI (SMCI), 4–1
  - Shared storage, 8–4
  - Show Cluster utility, 2–5
  - SHOW DEVICE/FULL command, 6–29
  - SHOW DEVICE/FULL DCL command
    - WWID display, 7–26
  - SHOW DEVICE/MULTIPATH\_SET command, 6–29
  - Single-ended signaling
    - for SCSI, A–8
  - Single points of failure, 8–4
    - reducing, 10–3
    - servers and disks, 8–6
  - Site-specific utilities
    - storage requirements, 5–3
  - Small Computer Systems Interface
    - See SCSI
  - SMCI, 4–1
  - SMP, 10–2, 10–3
  - Software
    - availability strategies, 8–3, 8–5
  - Solid-state disks, 5–5, 10–35
  - SONET OC-3 Intersite Link Specifications, D–10
  - Star coupler expanders, 4–10
  - Star couplers, 4–10
    - capacity limits, 10–4
    - scaling, 10–2
  - State transitions
    - guidelines, 11–12
  - Storage
    - access, 10–3
    - calculating growth, 5–4
    - CI-based, 5–7
    - determining availability requirements, 5–6
    - DSSI-based, 5–7
    - host-based, 5–8
    - local adapters, 5–9
    - performance optimizers, 5–4
    - scaling, 10–2
    - shared, direct access, 8–4
    - space requirements, 5–3
  - Storage capacity
    - definition, 5–3

- Storage controllers
  - Fibre Channel
    - dual-ported, 6–20
    - multiported, 6–14
- Storage devices
  - See also Storage requirements
  - corresponding interconnects, 5–2
  - definition, 1–2
  - estimating capacity requirements, 5–3
- Storage enhancement software, 1–6
- Storage requirements
  - archival, 5–4
  - capacity, 5–3
  - databases, 5–3
  - growth, 5–4
  - layered products, 5–3
  - of OpenVMS operating system, 5–3
  - page, swap, and dump files, 5–3
  - site-specific utilities, 5–3
  - third-party products, 5–3
  - user data, 5–3
  - user levels, 5–4
  - user-written programs, 5–3
- StorageWorks
  - BA350/BA353 enclosures, A–10
  - definition, 5–1
- StorageWorks Data Replication Manager, 7–8
- Striping
  - See Disk striping
- Sybase software, 1–7
- SYLOGICAL.COM procedure
  - on system disk, 11–7
- SYS\$SYSTEM:SYS\$DEVICES.DAT file
  - Fibre Channel device names, 7–24
- SYSMAN commands
  - IO FIND\_WWID, 7–25
  - IO REPLACE\_WWID, 7–25, 7–34
- System Communications Services
  - See SCS
- System disk
  - configuring on OpenVMS I64 systems, 7–42
- System disks
  - availability, 5–6
  - multiple, 11–7
    - advantages, 11–4
  - redundancy, 5–6
  - shadowing for OpenVMS Cluster availability, 8–4
  - single, 11–2, 11–7
  - single versus multiple, 11–7
  - strategies, 11–2
- System files
  - managing, 11–2
- System management
  - AUTOGEN command procedure, 2–4
  - availability strategies, 8–5
  - ease of, 1–2

- System management (cont'd)
  - methods and tools, D–13
  - multiple-site OpenVMS Cluster systems, D–12
  - operating environments, 11–8
  - proactive, 8–6
  - products, 2–4
  - software, 1–6
  - tools, 2–4, 8–6
  - tools for daily operations, 2–6
- System parameters
  - EXPECTED\_VOTES, 10–32, 11–12
  - for OpenVMS Clusters with satellites, 10–32
  - LOCKDIRWT, 10–32
  - MPDEV\_AFB\_INTVL, 6–27
  - MPDEV\_D1, 6–27
  - MPDEV\_ENABLE, 6–26
  - MPDEV\_LCRETRIES, 6–26
  - MPDEV\_POLLER, 6–26
  - MPDEV\_REMOTE, 6–26
  - MSCP\_BUFFER, 6–38
  - MSCP\_LOAD, 10–32
  - multipath, 6–26
  - NPAGEDYN, 10–32
  - PAGEDYN, 10–32
  - polling, 11–13
  - polling timers, 8–6
  - RECNXINTERVL, 10–32
  - SHADOW\_MAX\_COPY, 10–32
  - updating, 10–3
  - VOTES, 10–32
- System roots, 11–7
- Systems
  - comparison of types, 3–2
  - scaling, 10–2
- System specifications, 3–4
- SYSUAF.DAT files, 11–7, 11–8, 11–9
  - multiple, 11–10

## T

- T3 communications service, D–6
- Tape devices
  - Fibre Channel
    - naming, 7–22
  - tape library robot, 7–22
- TCP/IP Services
  - network transport, 1–6
- TCP/IP Services for OpenVMS software, 1–6
- Terminal servers
  - for availability, 8–3
- Terminators
  - for SCSI, A–9
- Third-party products
  - storage requirements, 5–3
- Throughput
  - CI, 4–11
  - Ethernet, 4–16
  - FDDI, 4–20



Throughput (cont'd)  
  MEMORY CHANNEL, 4-7  
  SCSI, 4-9  
Timers  
  polling, 8-5  
TIMVCFAIL system parameter, 11-13  
TMSCP servers  
  role in OpenVMS Cluster, 1-4  
Troubleshooting  
  SCSI configurations, A-34

## U

---

UDID, 7-22  
Ultra SCSI configurations  
  See SCSI configurations  
User data  
  storage requirements, 5-3  
User-written programs  
  storage requirements, 5-3

## V

---

VAX CDD/Repository, 1-7  
VAX systems  
  coexisting with Alpha systems, 1-1, 3-1, 11-14  
VIOC  
  See Virtual I/O cache  
Virtual I/O cache, 5-5  
VMScusters  
  See OpenVMS Clusters  
VMSMAIL\_PROFILE.DATA file, 11-8  
Volume shadowing  
  Fibre Channel devices, 7-8  
  multipath devices, 6-8, 7-8  
Volume Shadowing for OpenVMS  
  across controllers, 10-10  
  across nodes, 10-11  
  description, 5-6  
  effect on I/O throughput, 10-36  
  for OpenVMS Cluster availability, 8-3  
  guidelines in CI OpenVMS Clusters, 10-8  
  inside a controller, 10-9

MSCP overhead, 10-36  
OpenVMS Cluster availability, 8-4  
RAID level 1, 1-6  
read/write ratio, 10-37  
read performance, 11-5  
scalability, 10-2  
support in SCSI OpenVMS Cluster  
  configurations, A-4  
  with striping, 5-5  
VOTES system parameter, 10-32

## W

---

WAN intersite link specifications, D-10  
WAN requirements  
  multisite cluster  
    Bellcore Communications Research, D-11  
    OpenVMS Cluster, D-11  
WANs (wide area networks)  
  using in a multiple-site OpenVMS Cluster  
  system, D-2  
WAN T3/SONET option card, D-7, D-8  
  management information, D-14  
  protocol options, D-8  
Warranted support, 11-13  
Wide area networks  
  See WANs  
Workstations  
  Alpha, 10-27, 11-5  
  uses, 3-2  
WWID  
  See Device IDs  
    Fibre Channel  
wwidmgr -quickset command, 7-39  
wwidmgr -show wwid command, 7-37  
Wwidmgr Users' Manual, 7-23

## X

---

XFC  
  See Extended file cache

